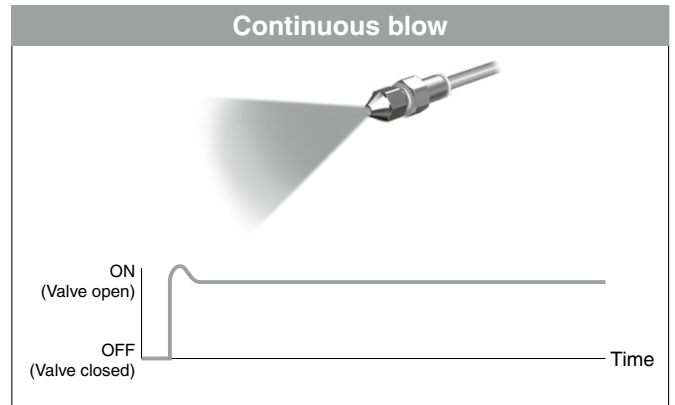
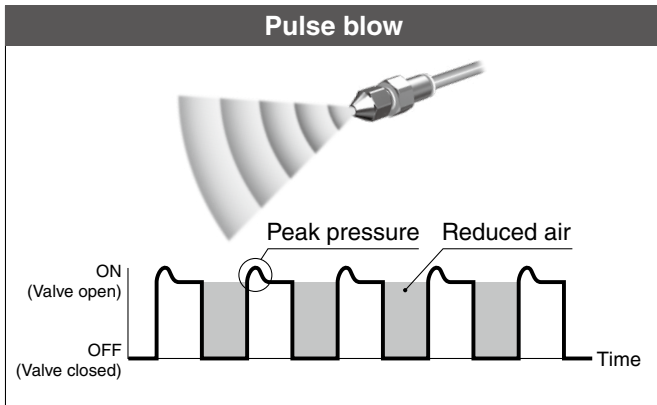


Pulse Blow Valve



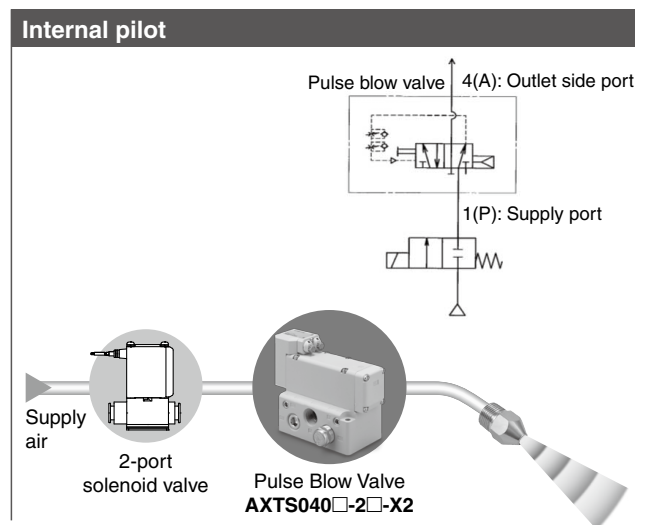
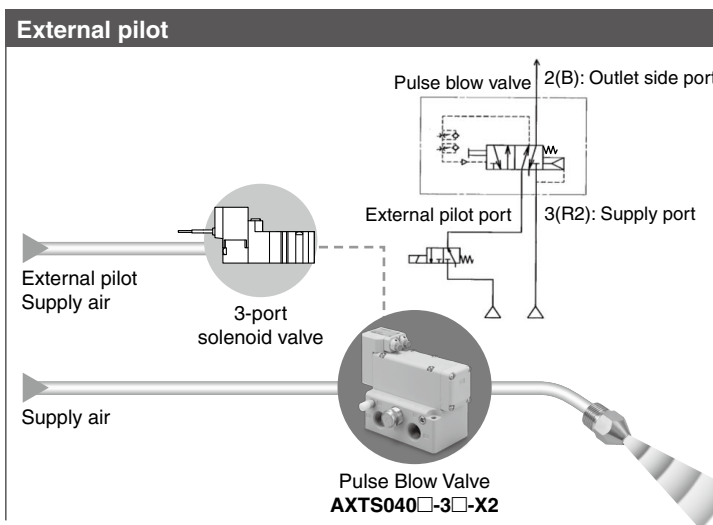
The peak pressure of repeatedly colliding air permits efficient blowing.

■ Air consumption: Reduced by 50% or more



■ Control for pulse generation is not required.

Pulse blow can be used by simply supplying air.



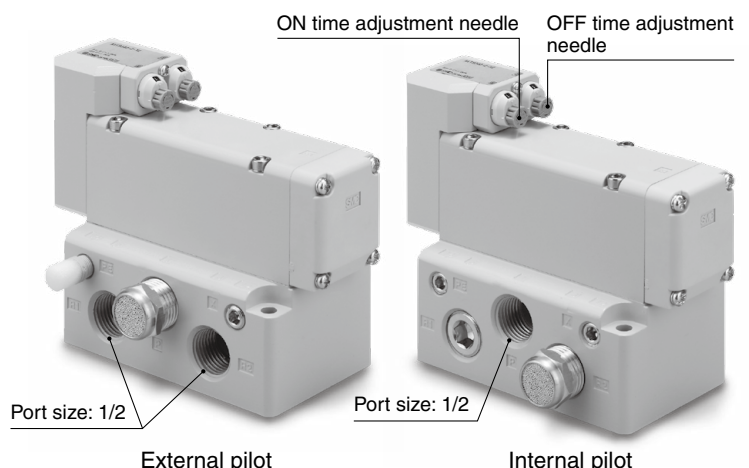
■ Long service life
(200 million cycles or more)

■ Flow rate characteristics

Type of actuation	C [dm ³ /(s·bar)]	b	Cv
External pilot	14	0.18	3.4
Internal pilot	12	0.14	2.9

■ ON/OFF time adjustable individually

■ Operating pressure range:
0.2 to 1.0 MPa



AXTS040□-□□-X2



AXTS040□-□□-X2

How to Order

AXTS 040 □ - 3 □ - X2

Body size	040 1/2	Direct manual override	Nil None
Thread type	Nil Rc	Type of actuation	2 Internal pilot
	F G		3 External pilot
	N NPT		
	T NPTF		

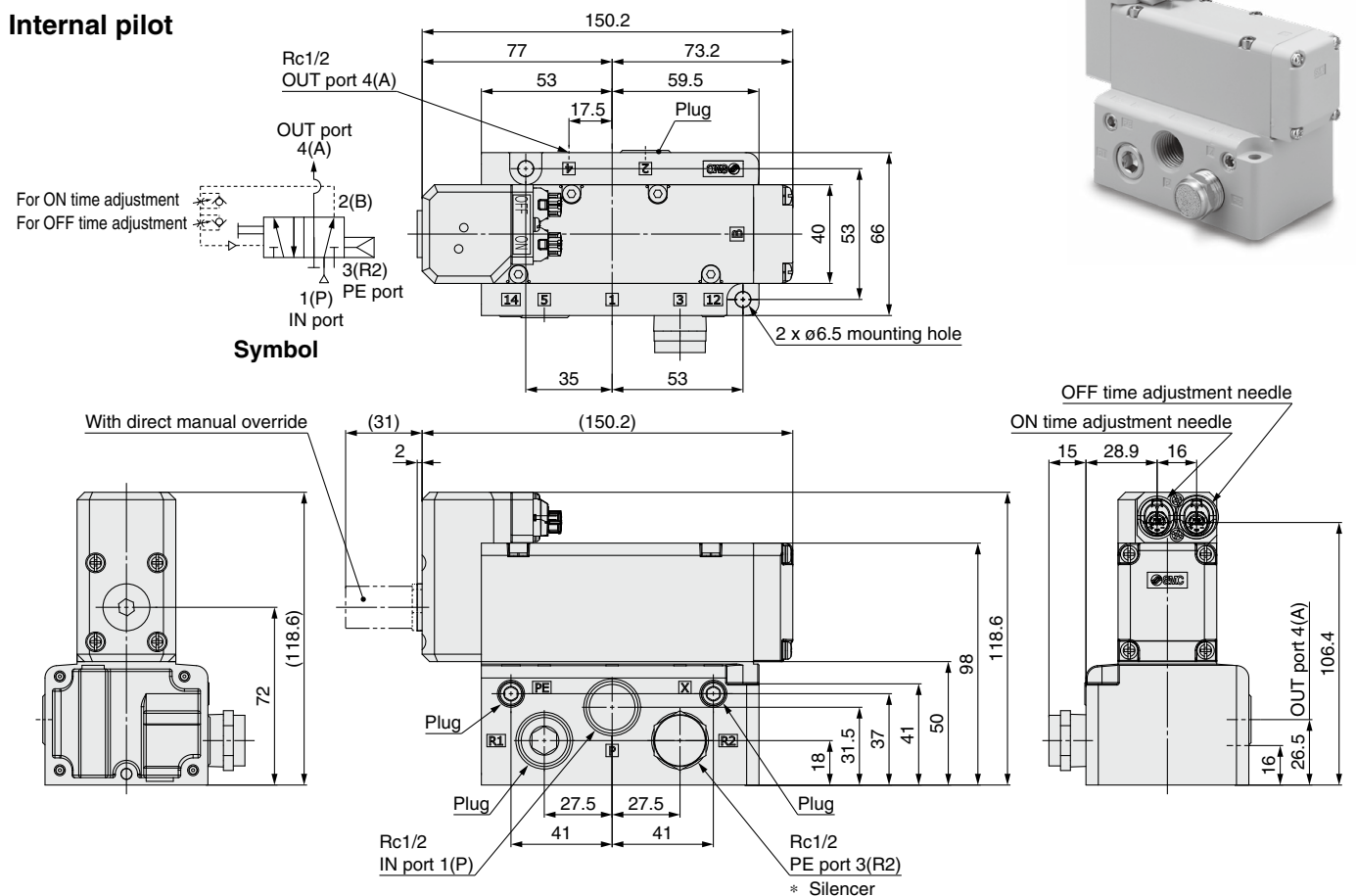
Specifications

Model	AXTS040□-2□-X2	AXTS040□-3□-X2	
Type of actuation	Internal pilot	External pilot	
Valve construction	Metal seal		
Fluid	Air		
Operating pressure range	0.2 to 1.0 MPa	0 to 1.0 MPa	
External pilot air pressure	—	0.2 to 1.0 MPa*1	
Frequency adjustment range	1 to 5 Hz	1 to 8 Hz	
Proof pressure	1.5 MPa		
Ambient and fluid temperatures	-10 to 50°C		
Lubrication	Not required		
Flow rate characteristics (IN port → OUT port)	C [dm ³ /(s·bar)]	12	14
	b	0.14	0.18
	Cv	2.9	3.4

*1 Set the external pilot pressure higher than the operating pressure.

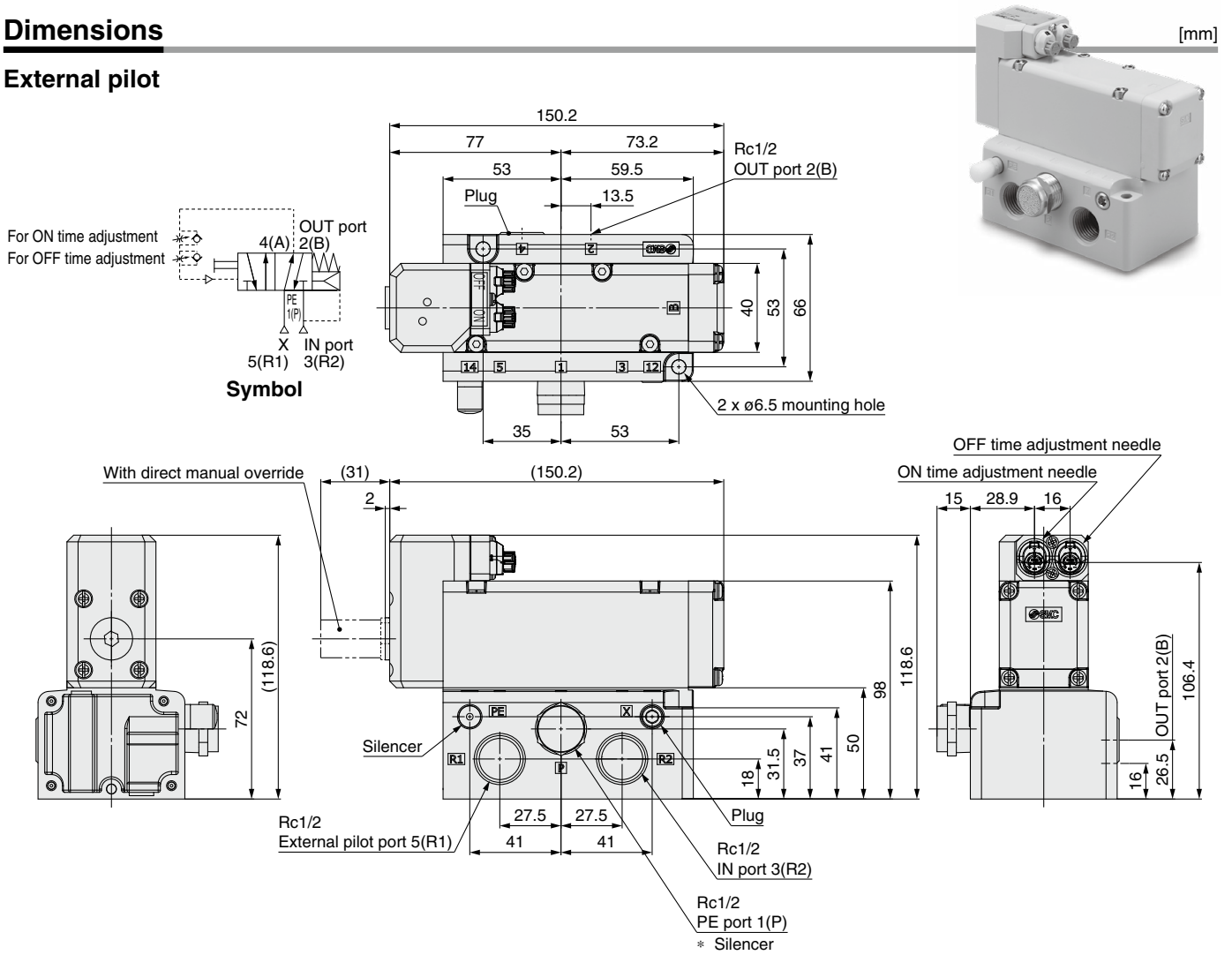
Dimensions


Internal pilot



Dimensions

External pilot



 **Safety Instructions** Be sure to read the "Handling Precautions for SMC Products" (M-E03-3) and "Operation Manual" before use.