

Cylinder with Lock: With Lock Status Indication

ø32, ø40, ø50, ø63, ø80, ø100

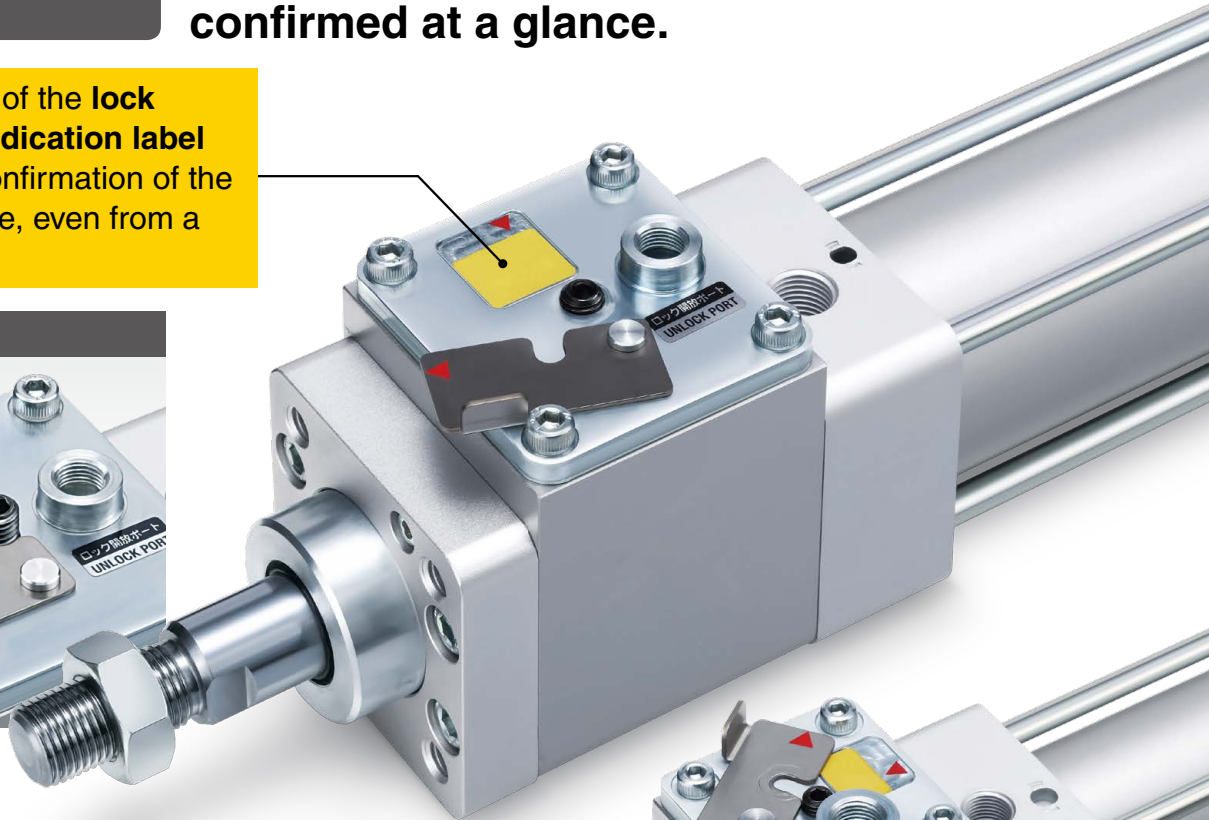
Safety Measure

Whether the cylinder is in a locked or manual lock released state can be visually confirmed at a glance.

The high visibility of the **lock released state indication label** allows for easy confirmation of the lock released state, even from a distance.



Locked

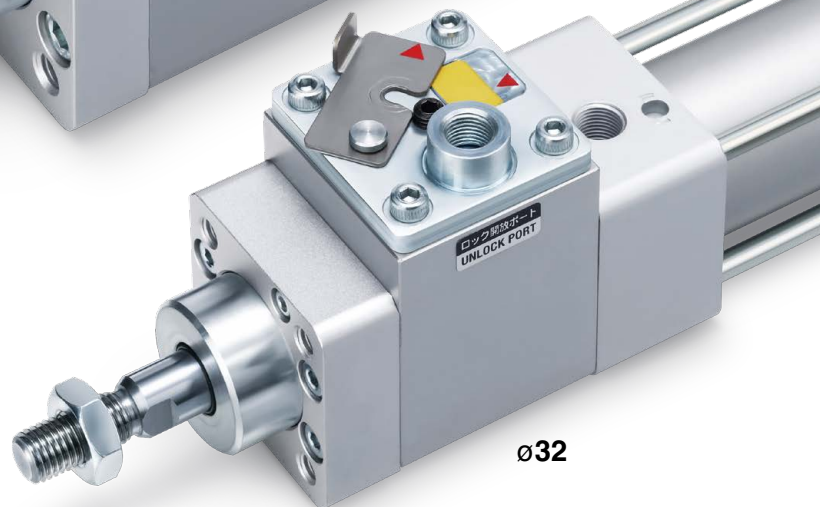


Available with a cap nut

Prevents the adhesion of spatter, foreign matter, etc.



Cap nut



ø32

How to Order

C96N Standard model no.

C96N Lock unit
Standard model no. *1

*1 The lock unit is the same as that for the MWB-X3030 (G port).

- X3030 A

•Option

| | |
|---|-----------------------------|
| A | Without option |
| B | With cap nut |
| C | With coil scraper |
| D | With coil scraper + cap nut |

* The model with a coil scraper is the same as the MWB-XC35.

• With lock status indication

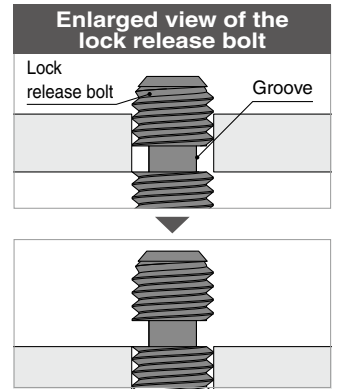
The specifications and dimensions are the same as those of the standard C96N series model.
Not applicable to the CP96N

C96N-X3030 □

Changing from the manual lock released state to the locked state

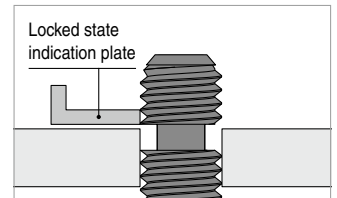
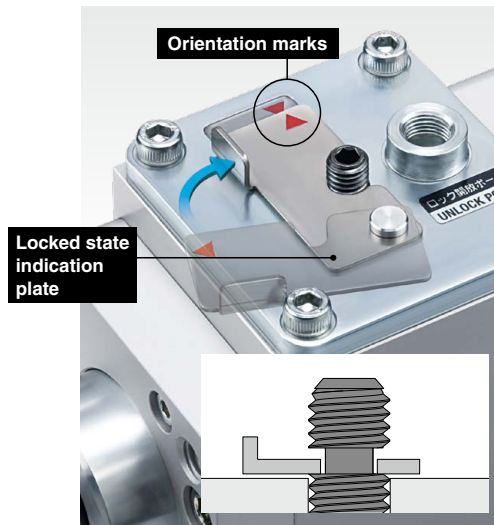
1 Turn the lock release bolt counterclockwise.

1. Continue to turn the bolt counterclockwise until the groove in the middle of the lock release bolt is completely above the body surface.



2 Align the groove and the locked state indication plate.

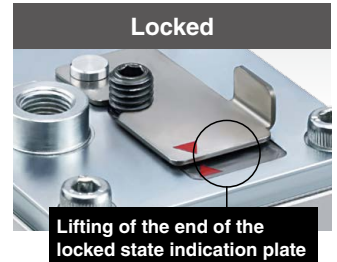
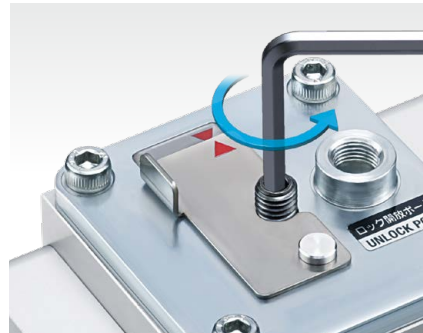
1. Insert the locked state indication plate into the groove in the bolt and align the orientation marks until the lock released state indication label (yellow) is no longer visible.



* If the bolt is not sufficiently turned counterclockwise, the groove position will not be aligned and the locked state indication plate cannot be inserted.

3 Secure the locked state indication plate.


1. Continue to turn the lock release bolt counterclockwise.
2. The locked state indication plate will move upward, securing it.
3. Confirm that the locked state indication plate does not move.



* When the locked state indication plate is secured, the end of the plate will be lifted slightly.

Caution

Before operating the cylinder, be sure to first carry out a test operation to check for operation abnormalities as stated in the precautions in the C(P)96N Series Operation Manual on the SMC website.

 **Safety Instructions** Be sure to read the "Handling Precautions for SMC Products" (M-E03-3) and "Operation Manual" before use.