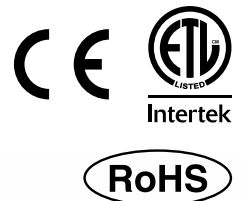


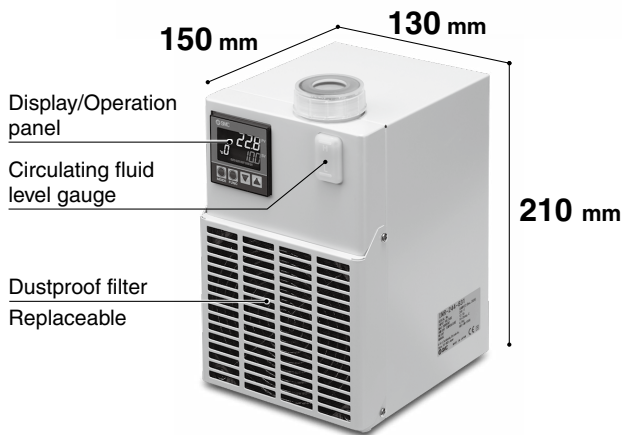
Peltier-type Chiller

Thermo-con/ Compact Type

Air-cooled



- Compact, Space saving
- Refrigerant-free
- Low-noise design: 45 dBA
(When selecting an option)
- Cooling capacity: 220 W
- Temperature stability:
 ± 0.01 to 0.03°C
- Set temperature range:
 10°C to 60°C
- Fluid contact material:
Stainless steel, Resin
(Aluminum and copper material-free)



How to Order

INR-244-831-

Option

Nil	None
X125	High pressure pump
X126	Low noise fan
X127	High pressure pump Low noise fan

Specifications

Cooling method	Thermoelectric device (Thermo-module)	
Radiating method	Forced air cooling	
Control method	Cooling/Heating automatic shift PID control	
Ambient temperature	10 to 35°C	
Circulating fluid system	Circulating fluid	Tap water, Ethylene glycol aqueous solution (20% or less)
	Set temperature range	10.0 to 60.0°C (No condensation)
	Cooling capacity	220 W (Tap water)*1
	Heating capacity	500 W (Tap water)*1
	Temperature stability	± 0.01 to 0.03°C *2
	Pump capacity	Refer to the performance charts.
	Tank capacity	Approx. 110 mL
Electrical system	Port size	Rc1/4
	Fluid contact material	Stainless steel, EPDM, NBR, Ceramics, PPE, PPS, Carbon, PP, POM
	Power supply	24 VDC $\pm 10\%$
	Power consumption	12.5 A
Communications	RS-485	
Weight	Approx. 4.5 kg	
Noise level	Approx. 58 dBA (Low noise fan (Option): 45 dBA)	
Accessories	Power supply cable (1 m), Operation Manual (The 24 VDC power supply should be prepared by the user.)	
Safety standards	CE marking, UL (NRTL) standards	

*1 Conditions: Set temperature 25°C , Ambient temperature 25°C , Circulating flow rate 1 L/min (For options, refer to the performance charts.)

*2 The indicated values are when there is a stable load without turbulence. It may be out of this range depending on the operating conditions.

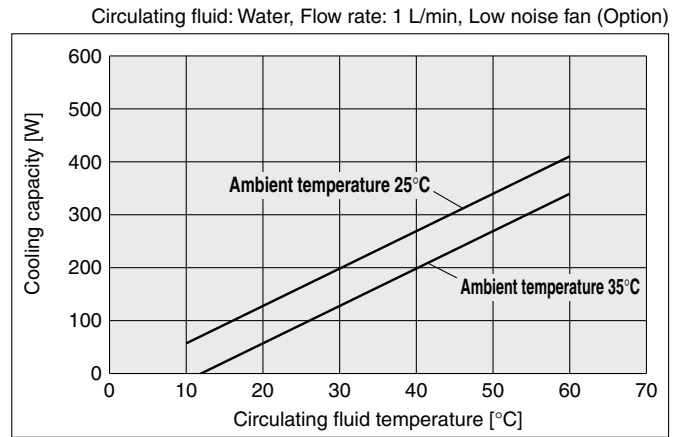
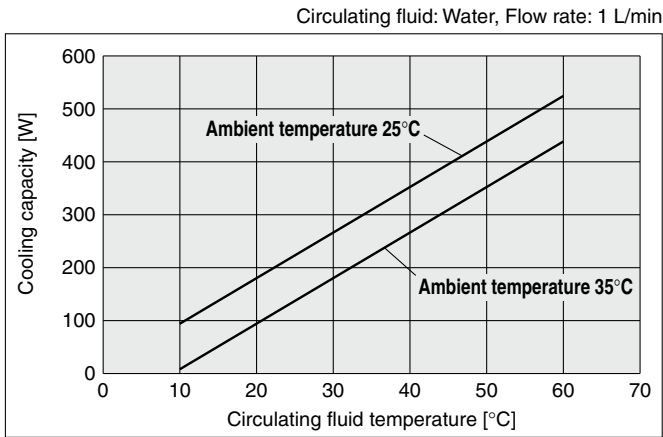
INR-244-831



20-E765

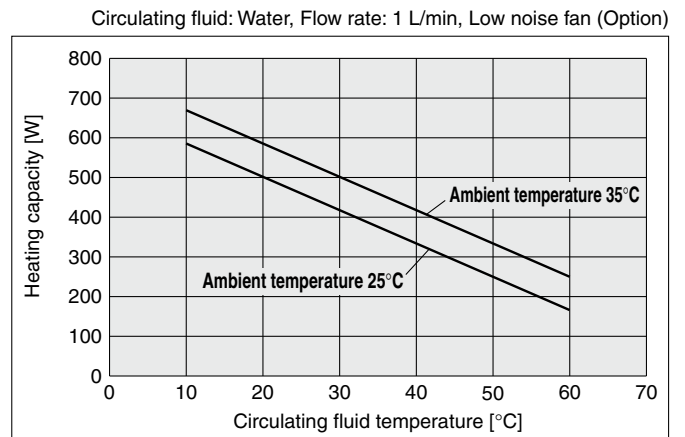
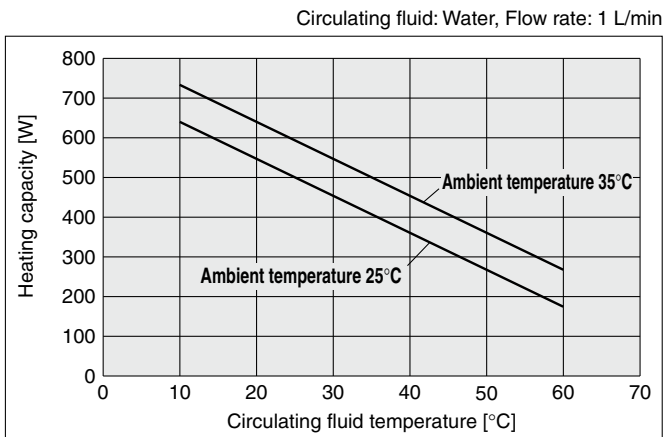
INR-244-831

Cooling Capacity



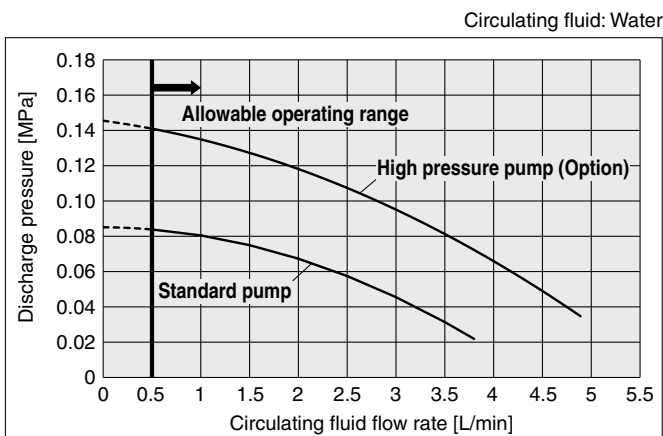
* For the high pressure pump (Option), the cooling capacity decreases by approx. 20 W.

Heating Capacity

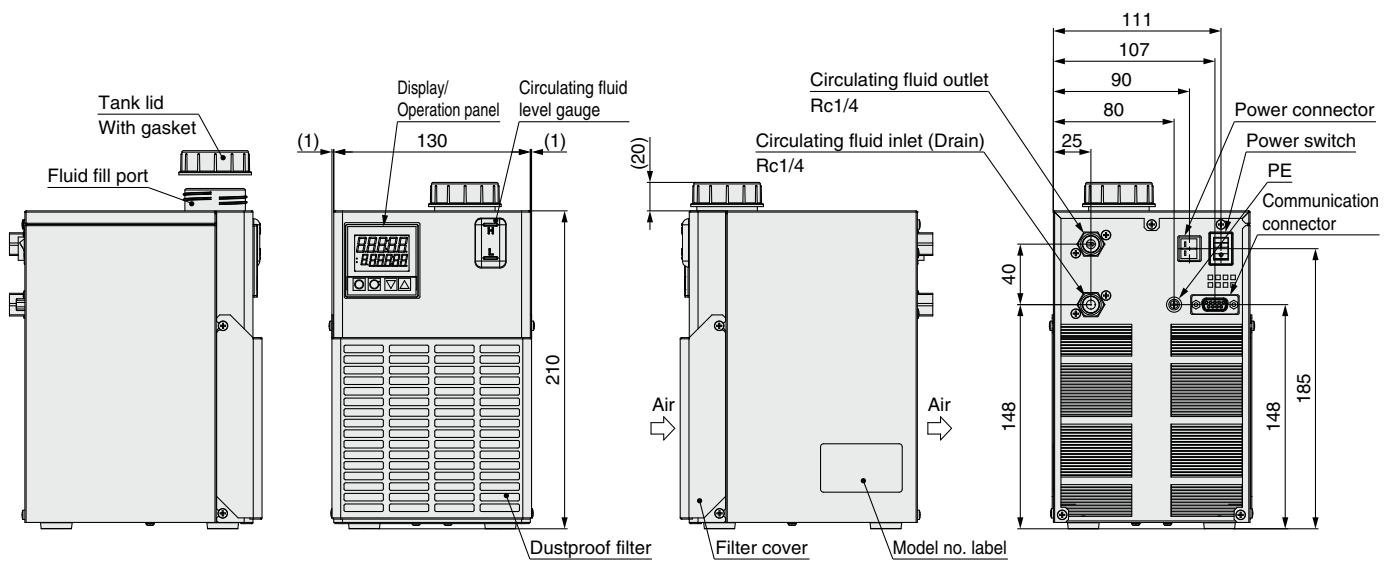
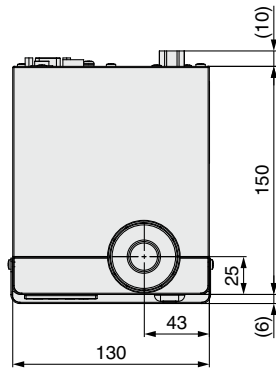


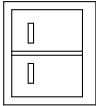
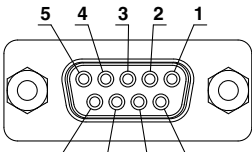
* For the high pressure pump (Option), the heating capacity increases by approx. 10 W.


Pump Capacity (Thermo-con Outlet)



Dimensions



Connector name	No.	Signal contents	Connector type/Part no.
Power connector	1	24 VDC +	 J.S.T. Mfg. Co., Ltd. JFA connector J4000 series SC02B-J42SK-GHXR
	2	24 VDC -	
Communication connector	1	RS-485 BUS +	 D-sub 9 pin (socket type) Holding screw: M2.6
	2-8	Unused	
	9	RS-485 BUS -	

 **Safety Instructions** Be sure to read the "Handling Precautions for SMC Products" (M-E03-3) and "Operation Manual" before use.