

Vacuum Pad

Flat type with ribs
Bellows type

∅40, ∅50

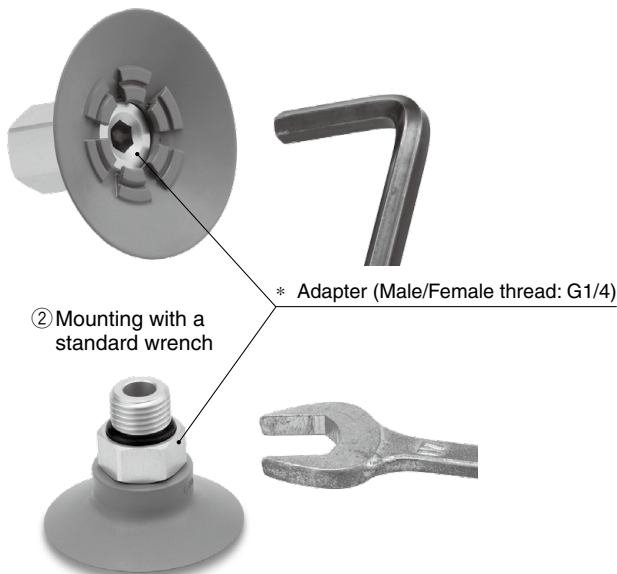
Suitable for the adsorption transfer of corrugated cardboard, etc., requiring abrasion resistance

■ **Material: FS61 (Fluoro-based rubber) improves abrasion resistance**

* More than twice the abrasion resistance of SMC's urethane pads

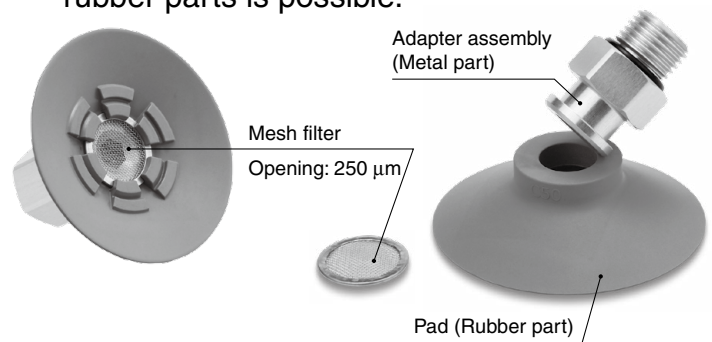
■ **Easier maintenance**

- Compatible with 2 types of mounting tools
- ① Mounting with a hexagon wrench



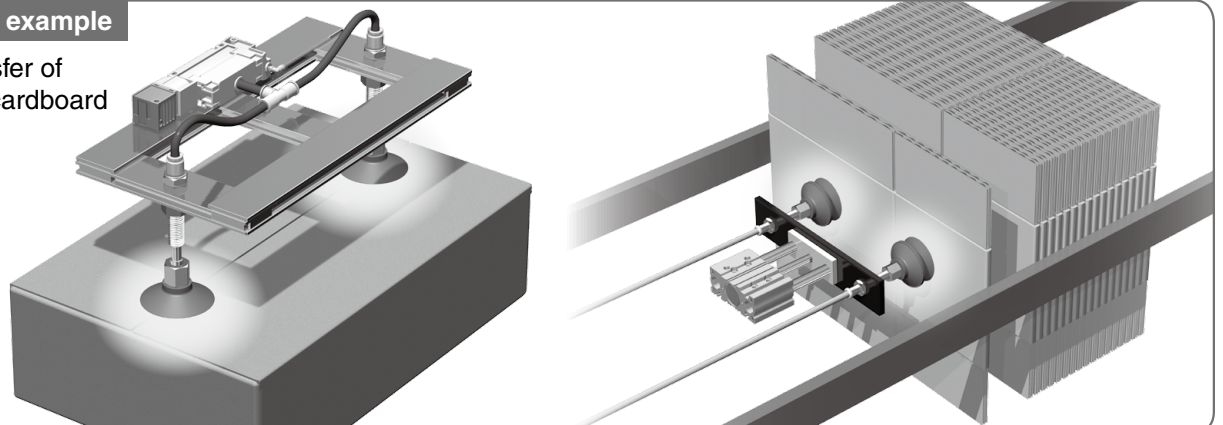
■ **Reduced suction of foreign matter due to mesh filter**

- Reduced suction of foreign matter into the vacuum pump and ejector
- The pad and mesh filter can be replaced without tools.
- The separation and disposal of the metal and rubber parts is possible.



Application example

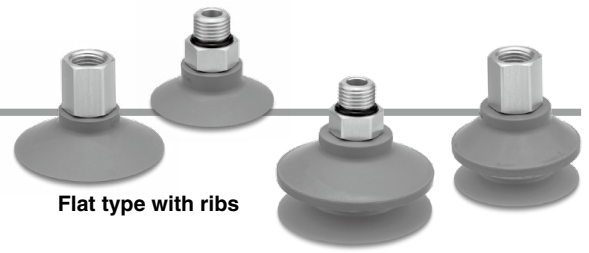
For the transfer of corrugated cardboard



ZP3C Series

ZP3C Series

How to Order



Pad unit

ZP3C - **40** **C** **FS**

Flat type with ribs

Bellows type

With adapter

ZP3C - **T** **40** **C** **FS** - **MF** - **AG02**

①

②

③

④

Vacuum inlet direction: Vertical

• Pad material: FS61

① Pad diameter

40	ø40
50	ø50

② Pad form

C	Flat type with ribs
B	Bellows type

③ Mesh filter

Nil	Without mesh filter
MF	With mesh filter

④ Connection thread

Symbol	Thread	Connection thread	Type
AG02	Male thread	G1/4	Direct mounting
BG02	Female thread		

* Use the connection thread for the vacuum inlet.

Specifications

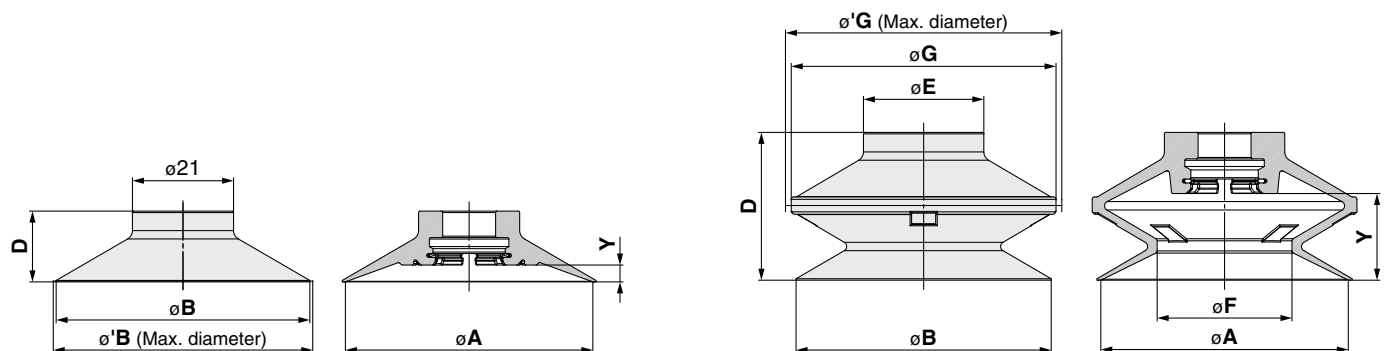
Pad	Material	FS61 (Fluoro-based rubber)
	Color	Green
	Hardness (Shore A: ±5°)	60
Mesh filter		Opening: 250 μm

Dimensions

Pad unit

Flat type with ribs

Bellows type



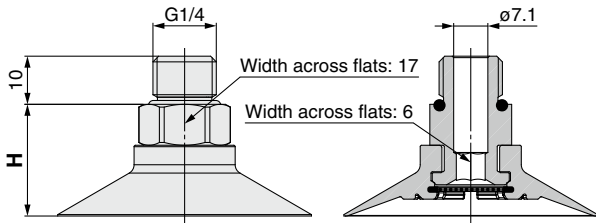
	Model			A	B	'B*1	D	E	F	G	'G*1	Y	Weight [g]
	① Pad dia.	② Pad form	Pad material										
ZP3C	40	C	FS	41.4	43	44.2	13.7	—	—	—	—	2.8	7.9
	50			51.4	52.7	53.9	14.7	—	—	—	—	3.5	11.6
	40	B		41.4	43	—	28.7	24	25	45	47.5	16	17.7
	50			51.4	53	—	30.7	25	28	55	57.5	18	26.6

*1 Achieved vacuum pressure: Reference at -85 [kPa]

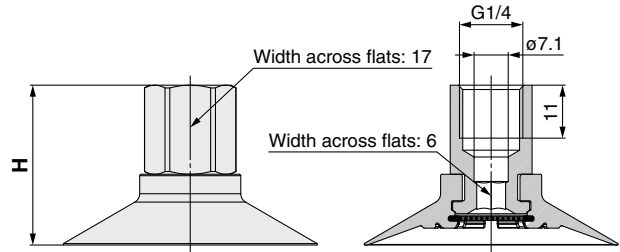
Dimensions

With adapter Flat type with ribs

Connection thread: Male thread



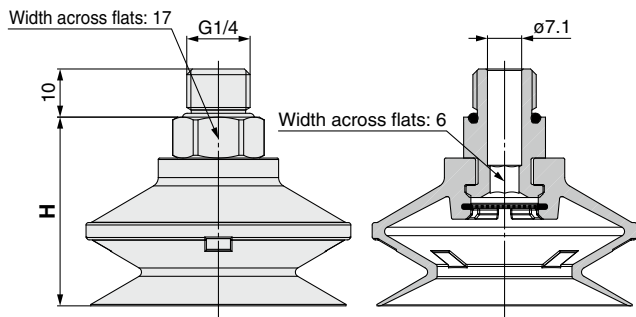
Connection thread: Female thread



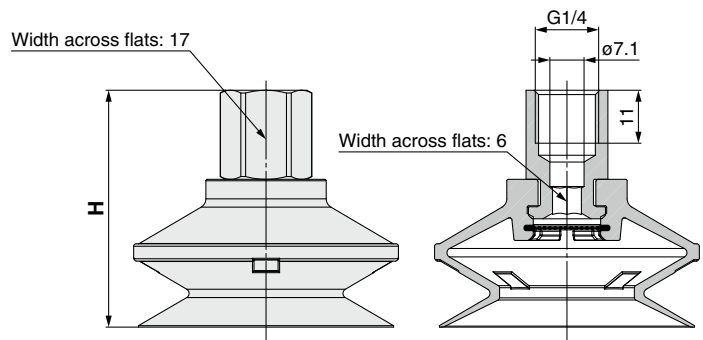
	Model					H	Weight [g]
	① Pad dia.	② Pad form	Pad material	③ Mesh filter	④ Connection thread		
ZP3C	40	C	FS	MF	AG02	22.2	18.2
					BG02	32.2	18.9
	50				AG02	23.2	21.9
					BG02	33.2	22.6

With adapter Bellows type

Connection thread: Male thread



Connection thread: Female thread



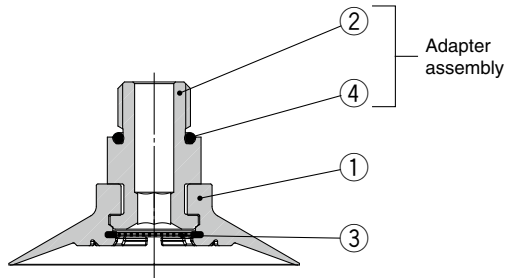
	Model					H	Weight [g]
	① Pad dia.	② Pad form	Pad material	③ Mesh filter	④ Connection thread		
ZP3C	40	B	FS	MF	AG02	37.2	28.0
					BG02	47.2	28.7
	50				AG02	39.2	36.9
					BG02	49.2	37.6

ZP3C Series

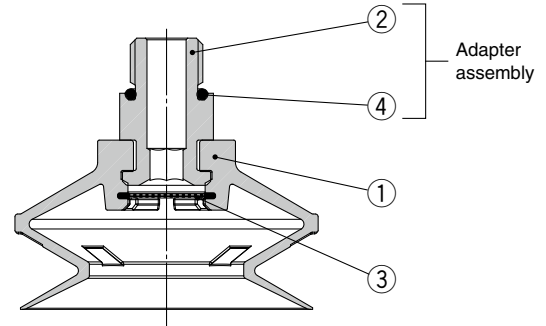
Construction

Connection thread: Male thread

ZP3C-T□C□-MF-AG02

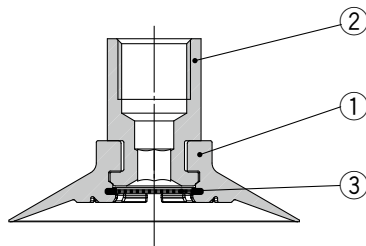


ZP3C-T□B□-MF-AG02

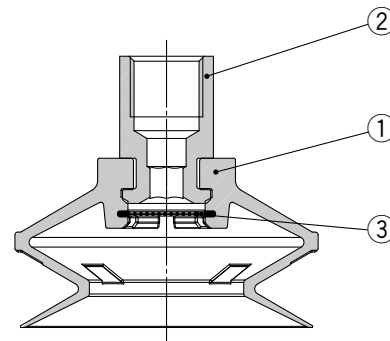


Connection thread: Female thread

ZP3C-T□C□-MF-BG02



ZP3C-T□B□-MF-BG02



Component Parts

No.	Description	Material	Note
1	Pad	FS61 (Fluoro-based rubber)	Color: Green
2	Adapter	Aluminum alloy (Clear anodized)	
3	Mesh filter	Stainless steel	With mesh filter
4	O-ring	NBR	

Replacement Parts

Adapter assembly

Part number	Connection thread	Applicable pad dia.
ZP3CA-T4-AG02	Male thread	ø40, ø50
ZP3CA-T4-BG02	Female thread	

Mesh Filter Unit

Part number	Applicable pad dia.
ZPMF-60-D18	ø40, ø50

⚠ Safety Instructions Be sure to read the "Handling Precautions for SMC Products" (M-E03-3) and "Operation Manual" before use.

SMC Corporation