

Guide Table

Series MGF

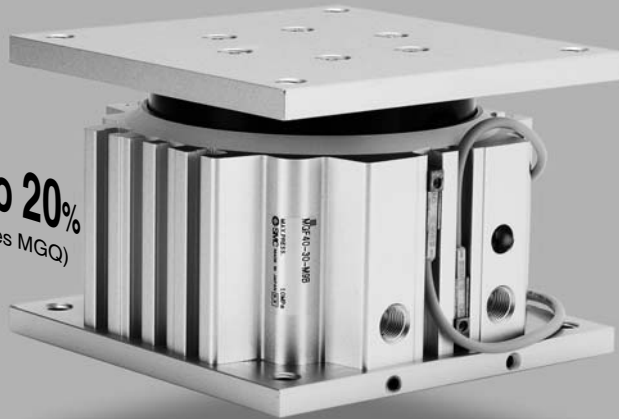
ø40, ø63, ø100

Low-profile compact cylinder utilizes a large concentric guiding sleeve to provide excellent eccentric load resistance.

■ Mounting height greatly reduced

Low-profile cylinder enables compact machine design.

Mounting height
Reduction by 15 to 20%
(Compared to SMC Series MGQ)



■ Built-in non-rotating mechanism

Internal guide pin prevents rotation.

Non-rotating accuracy

Bore size (mm)	Non-rotating accuracy (°)
40	± 0.08°
63	± 0.06°
100	± 0.05°

■ Series Variations

Model	Bore size (mm)	Standard stroke (mm)			
		30	50	75	100
MGF 40	40	●	●	●	●
MGF 63	63	●	●	●	●
MGF100	100	●	●	●	●

■ Built-in T-slots

T-slots are provided on 3 faces of the body (except port face), allowing mounting for various brackets.

(Not suitable for mounting the cylinder itself.)

■ Auto switches can be mounted on 4 lateral faces of the body.

■ Large diameter guide (Eccentric load resistant)

A large diameter guide rod enables the cylinder to handle eccentric loads applied from any direction within a 360° angle.

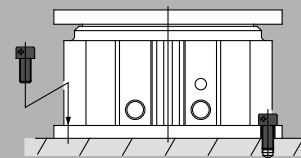
Allowable moment

Bore size (mm)	Allowable moment (N·m)
40	10
63	40
100	110

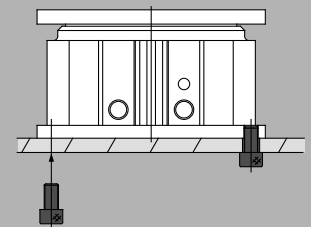
* Values are at a cylinder speed of 100 mm/s.

■ Can be mounted from two directions

Mounting from top

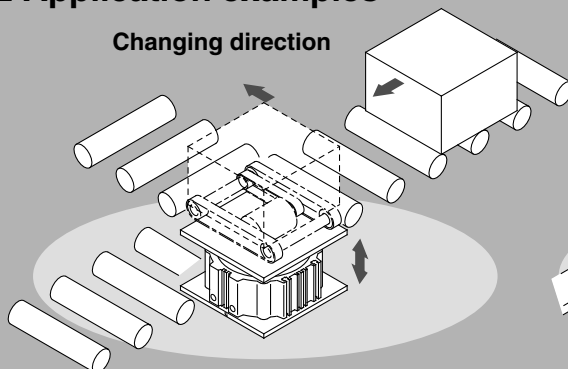


Mounting from bottom

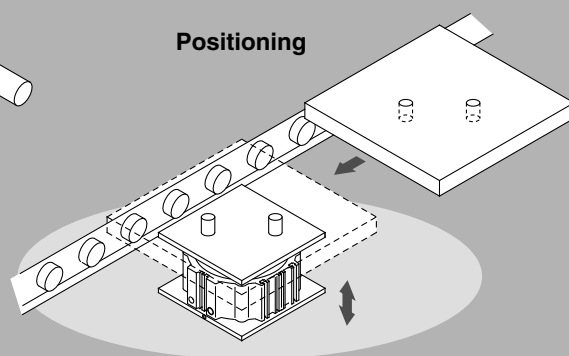


■ Application examples

Changing direction



Positioning



MGJ

MGP

MGQ

MGG

MGC

MGF

MGZ

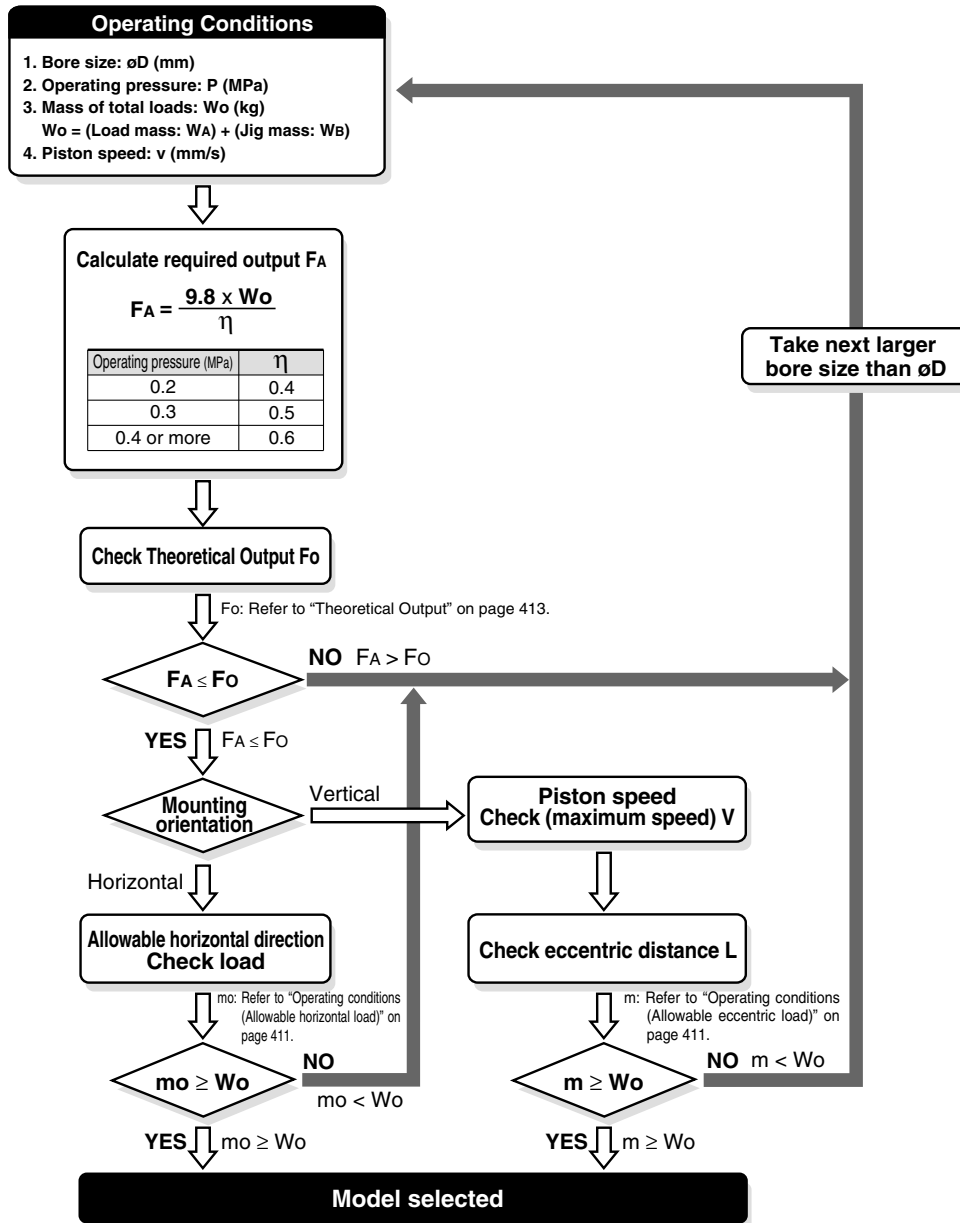
MGT

D-□

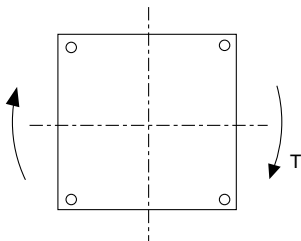
-X□

Individual
-X□

Series MGF Model Selection



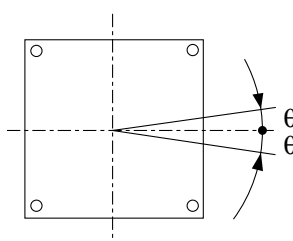
Allowable rotational torque



T (N·m)

Bore size (mm)	Stroke (mm)			
	30	50	75	100
40	7	5	4	3
63	22	16	12	10
100	30	22	17	13

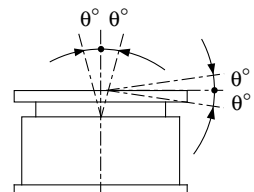
Non-rotating accuracy



Bore size (mm)	Non-rotating accuracy θ
40	$\pm 0.08^\circ$
63	$\pm 0.06^\circ$
100	$\pm 0.05^\circ$

Note) The value given for the non-rotating accuracy is applicable below the allowable rotational torque. If a greater rotational torque is applied, the non-rotating rod (page 415) bends, exceeding the value of the non-rotating accuracy.

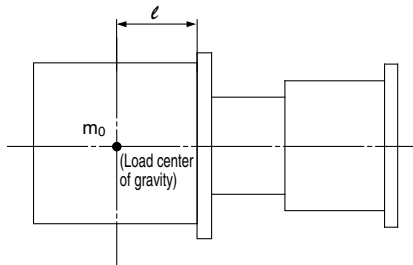
Deflection angle of plate for eccentric load



Bore size (mm)	Deflection angle θ°
40	$\pm 0.35^\circ$ or less
63	$\pm 0.3^\circ$ or less
100	

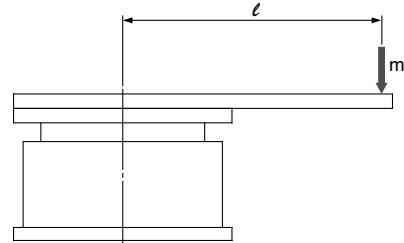
Operating Conditions

Allowable horizontal load



Allowable eccentric load

The maximum value of load which can be applied at an eccentric position at a distance of l (mm) from the cylinder center.

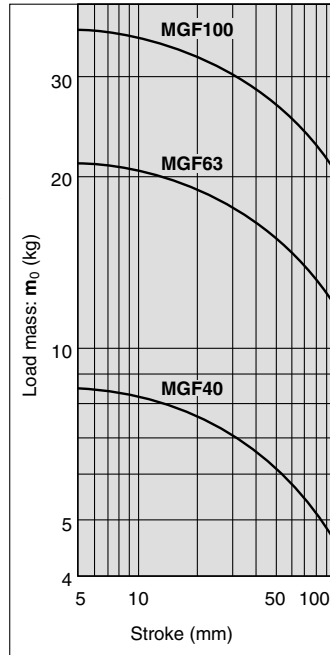
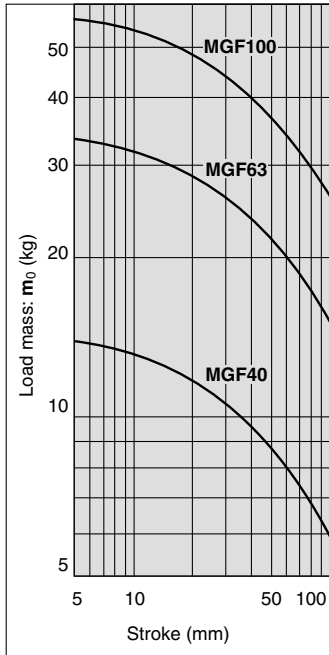


$l = 50$ mm

Graph ①

$l = 100$ mm

Graph ②

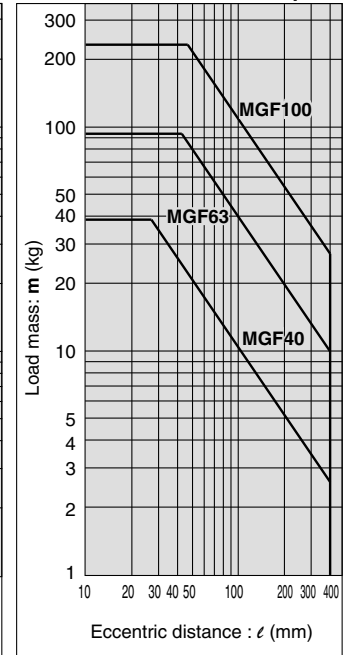
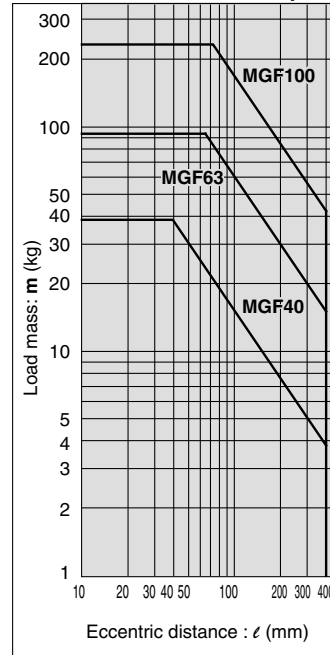


$v = 50$ mm/s or less

Graph ⑤

$v = 100$ mm/s or less

Graph ⑥

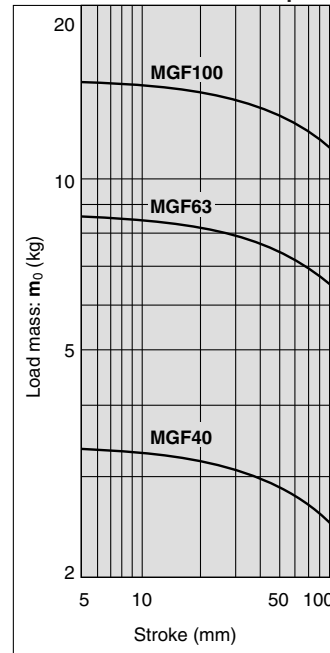
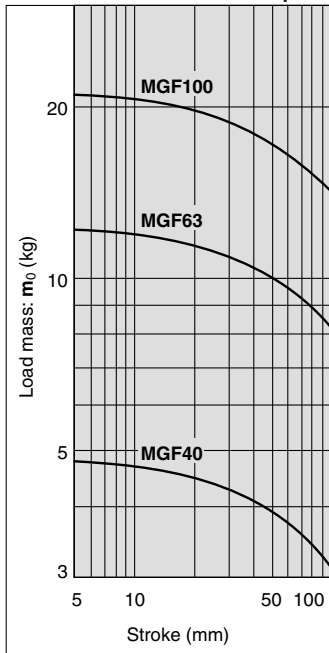


$l = 200$ mm

Graph ③

$l = 300$ mm

Graph ④

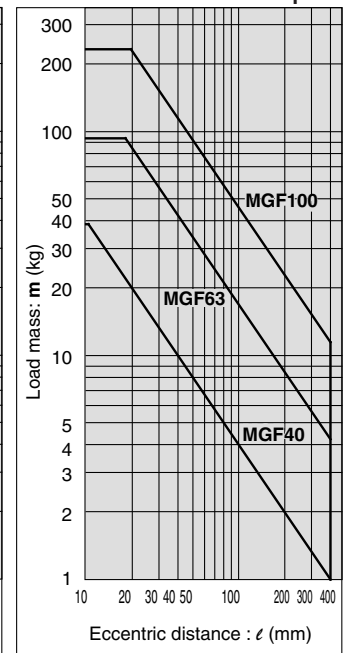
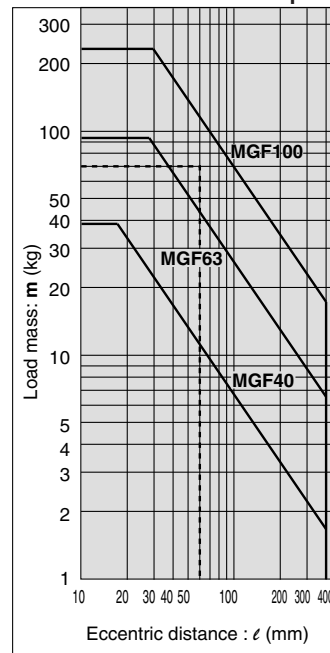


$v = 150$ mm/s or less

Graph ⑦

$v = 200$ mm/s or less

Graph ⑧



MGJ

MGP

MGQ

MGG

MGK

MGF

MGZ

MGT

D-□

-X□

Individual
-X□

How to read the graph

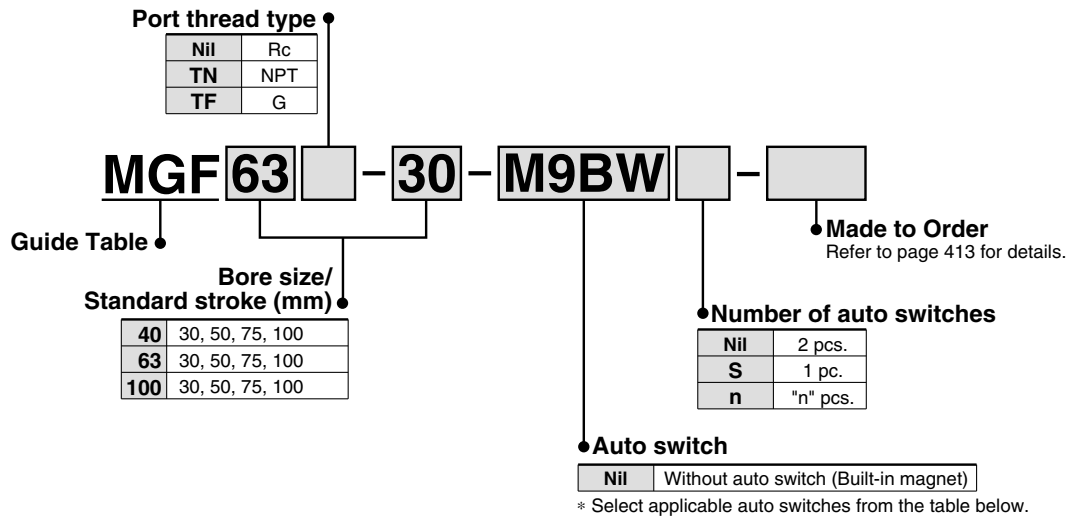
- When the load mass is 70 kg, eccentric distance is 60 mm, and the maximum speed is 150 mm/s → Select MGF100 from Graph ⑦.
- When MGF63 is operated with a load mass 30 kg and 100 mm eccentric distance → From Graph ⑥, the cylinder can be used at a maximum speed of 100 mm/s or less.

Guide Table

Series MGF

ø40, ø63, ø100

How to Order



Applicable Auto Switch/Refer to pages 1719 to 1827 for further information on auto switches.

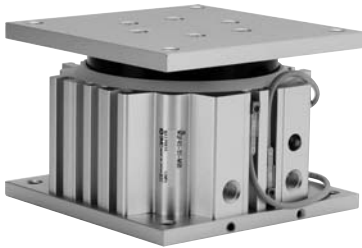
Type	Special function	Electrical entry	Indicator light	Wiring (Output)	Load voltage		Auto switch model		Lead wire length (m)				Pre-wired connector	Applicable load				
					DC	AC	Perpendicular	In-line	0.5 (Nil)	1 (M)	3 (L)	5 (Z)						
Solid state switch	—	Grommet	Yes	3-wire (NPN)	24 V	5 V, 12 V	—	M9NV	M9N	●	●	●	○	○	IC circuit	Relay, PLC		
				3-wire (PNP)				M9PV	M9P	●	●	●	○	○				
				2-wire				M9BV	M9B	●	●	●	○	○				
	Diagnostic indication (2-color indication)			3-wire (NPN)	5 V, 12 V	M9NWV	M9NW	●	●	●	○	○	○	IC circuit				
				3-wire (PNP)		M9PWV	M9PW	●	●	●	○	○	○	—				
				2-wire		M9BWV	M9BW	●	●	●	○	○	○	—				
	Water resistant (2-color indication)			3-wire (NPN)	5 V, 12 V	M9NAV	M9NA	○	○	●	○	○	○	IC circuit				
				3-wire (PNP)		M9PAV	M9PA	○	○	●	○	○	○	IC circuit				
				2-wire		M9BAV	M9BA	○	○	●	○	○	○	—				
Reed switch	—	Grommet	Yes	3-wire (NPN equivalent)	24 V	5 V	—	—	Z76	●	—	●	—	—	IC circuit	—		
				2-wire				12 V	100 V	—	Z73	●	—	●	—	—	—	Relay, PLC
										100 V or less	—	Z80	●	—	●	—	—	—

* Lead wire length symbols: 0.5 m Nil (Example) M9NW
 1 m M (Example) M9NWM
 3 m L (Example) M9NWL
 5 m Z (Example) M9NWZ

* Solid state auto switches marked with "○" are produced upon receipt of order.
 * ○: D-A9□/A9□ cannot be mounted.

* Since there are other applicable auto switches than listed, refer to page 419 for details.
 * For details about auto switches with pre-wired connector, refer to pages 1784 and 1785.
 * Auto switches are shipped together (not assembled).

Specifications



Bore size (mm)	40	50	60
Action	Double acting		
Fluid	Air		
Proof pressure	1.5 MPa		
Maximum operating pressure	1.0 MPa		
Minimum operating pressure	0.1 MPa		
Ambient and fluid temperature	-10 to 60°C		
Piston speed	20 to 200 mm/s		
Cushion	Rubber bumper on both ends		
Lubrication	Non-lube		
Stroke length tolerance	+1.0 0 mm		



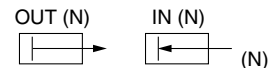
Made to Order Specifications
(For details, refer to page 1847.)

Symbol	Specifications
-XC79	Machining tapped hole, drilled hole and pin hole additionally

Standard Stroke

Model	Standard stroke (mm)	Intermediate stroke
MGF 40	30, 50, 75, 100	As for the intermediate strokes (by the 5 stroke interval) other than the standard strokes at left are manufactured by means of installing a spacer with the width of 5, 10, 15, 20, 25 mm. Example) In the case an MGF63-15 specification is required, a spacer of 15 mm is installed in the MGF63-30. The full length dimension when the cylinder is retracted is the same as that of 30 mm stroke.
MGF 63		
MGF100		

Theoretical Output



Bore size (mm)	Rod size (mm)	Operating direction	Piston area (mm ²)	Operating pressure (MPa)									
				0.2	0.3	0.4	0.5	0.6	0.7	0.8	0.9	1.0	
40	25	OUT	1256	251	376	502	628	753	879	1004	1130	1256	
		IN	765	153	229	306	382	459	535	612	688	765	
63	36	OUT	3117	623	935	1246	1558	1870	2182	2493	2805	3117	
		IN	2099	419	629	839	1049	1259	1469	1679	1889	2099	
100	36	OUT	7853	1570	2356	3141	3926	4711	5497	6282	7067	7853	
		IN	6835	1367	2050	2734	3417	4101	4784	5468	6151	6835	

Note) Theoretical output (N) = Pressure (MPa) x Piston area (mm²)

Mass

Model	Bore size (mm)	Standard stroke (mm)			
		30	50	75	100
MGF 40	40	2.1	2.6	3.2	3.8
MGF 63	63	4.3	5.1	6.1	7.1
MGF100	100	7.0	8.2	9.6	11.0

MGJ

MGP

MGQ

MGG

MGC

MGF

MGZ

MGT

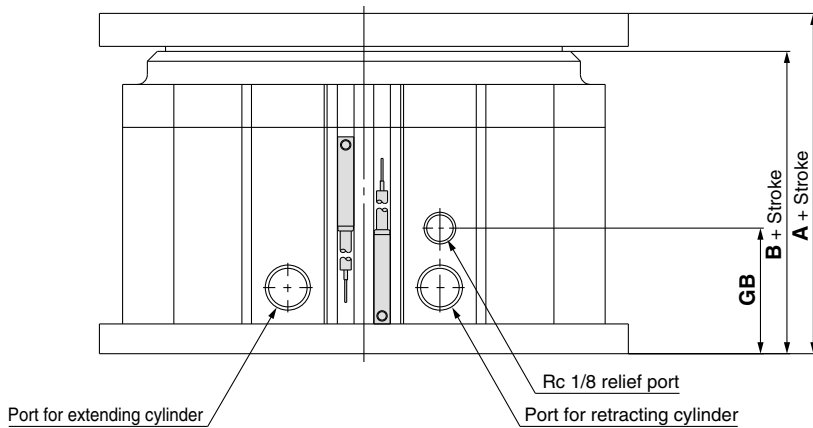
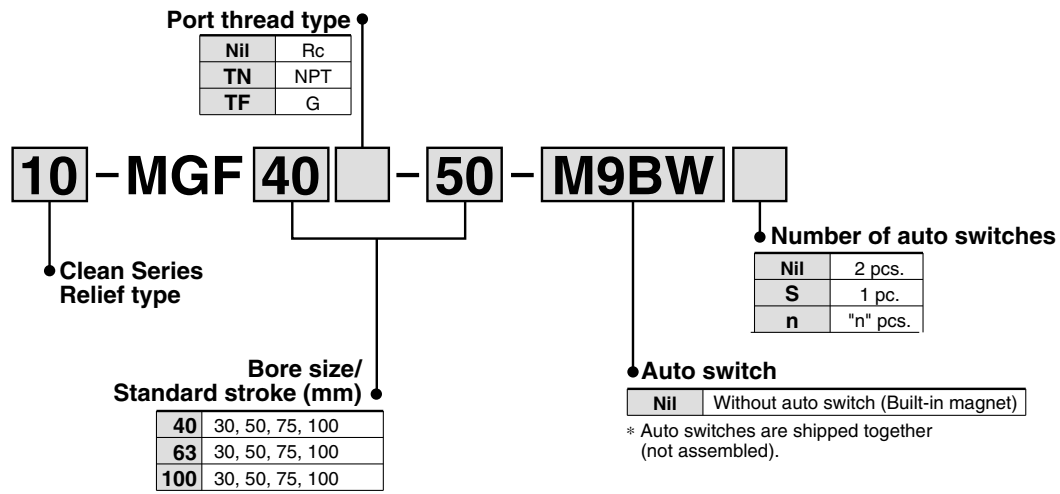
D-□

-X□

Individual
-X□

Series MGF

Clean Series

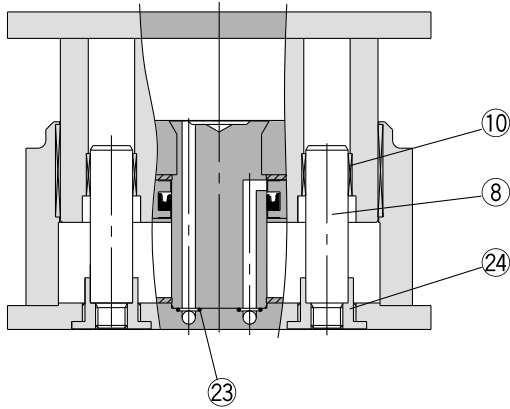


Dimensions

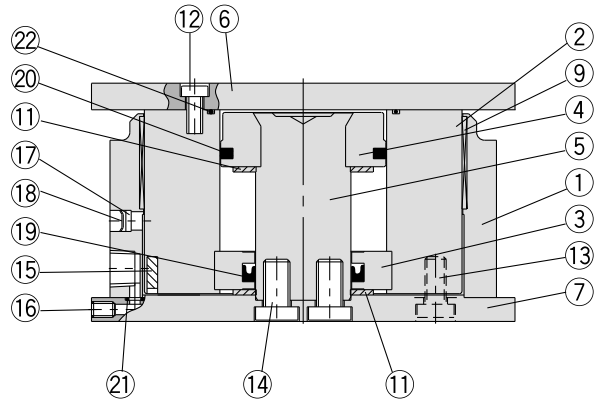
Bore size (mm)	A	B	GB
40	58	48.5	36.5
63	73	61.5	38
100	78	66.5	38

Dimensions other than the above are the same as standard products.

Construction



When the cylinder is extended



When the cylinder is retracted

Component Parts

No.	Description	Material	Note
1	Body	Aluminum alloy	Clear anodized
2	Tube	Aluminum alloy	Black hard anodized
3	Rod cover	Aluminum alloy	Black hard anodized
4	Piston	Aluminum alloy	Chromated
5	Piston rod	Carbon steel	Electroless nickel plated
6	Plate	Aluminum alloy	Anodized
7	End plate	Aluminum alloy	Anodized
8	Non-rotating rod	Stainless steel	Hard chrome plated
9	Bushing	Resin	
10	Bushing (For non-rotating rod)	Lead-bronze casted	
11	Bumper	Urethane	
12	Hexagon socket head cap screw A	Carbon steel	Nickel plated

Component Parts

No.	Description	Material	Note
13	Hexagon socket head cap screw B	Carbon steel	Nickel plated
14	Hexagon socket head cap screw C	Carbon steel	Nickel plated
15	Magnet	—	
16	Plug	Carbon steel	
17	Element	Resin	
18	Retaining ring	Spring steel	
19	Rod seal	NBR	
20	Piston seal	NBR	
21	O-ring A	NBR	
22	O-ring B	NBR	
23	O-ring C	NBR	
24	Reinforcement ring	Carbon steel	Electroless nickel plated

Replacement Parts: Seal Kit

Bore size (mm)	Kit no.	Contents
40	MGF 40-PS	Items ⑱ to ㉓ from the table above.
63	MGF 63-PS	
100	MGF100-PS	

* Seal kit is not compatible with the clean series.
 Seal kit includes ⑱ to ㉓. Order the seal kit based on each bore size.
 * Since the seal kit does not include a grease pack, order it separately.
Grease pack part no.: GR-L-010 (10g)

MGJ

MGP

MGQ

MGG

MGC

MGF

MGZ

MGT

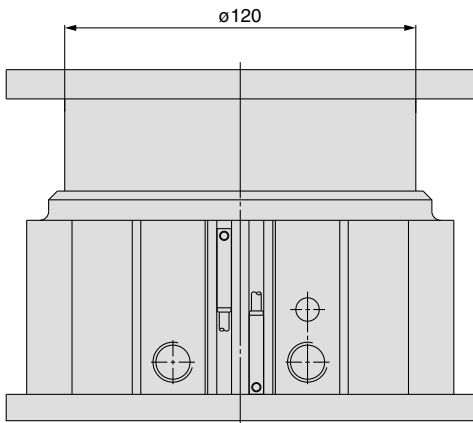
D-□

-X□

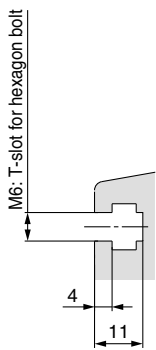
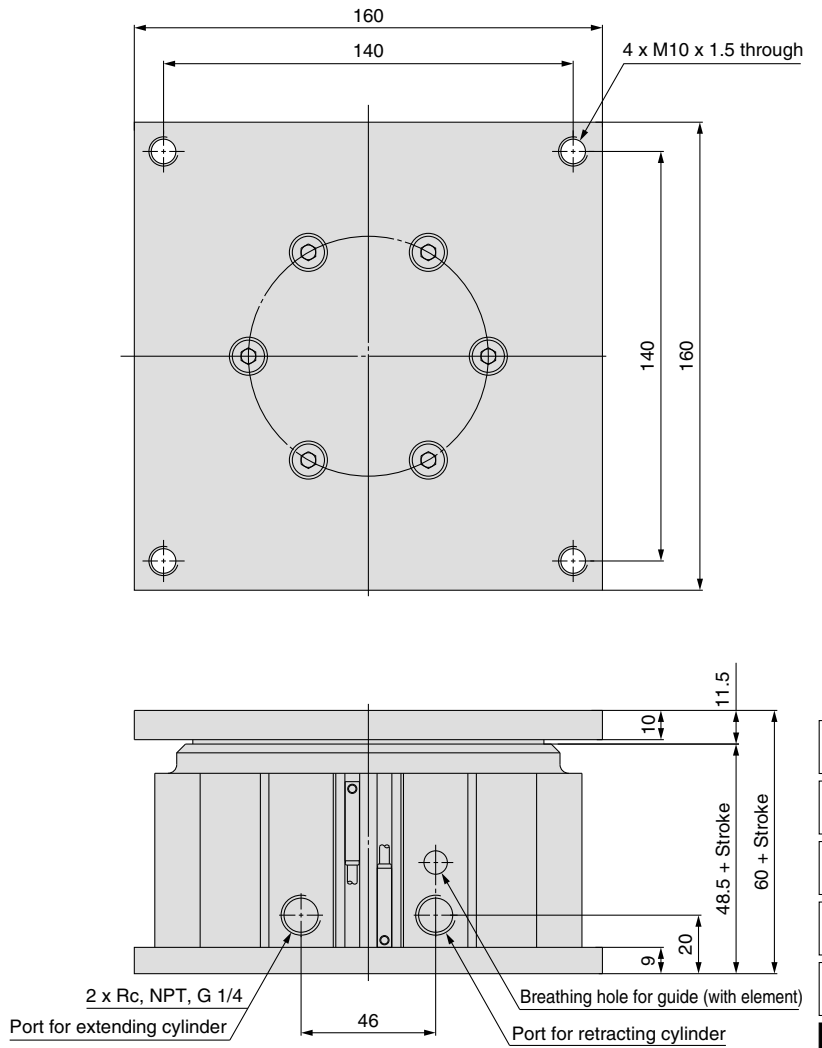
Individual
-X□

ø63

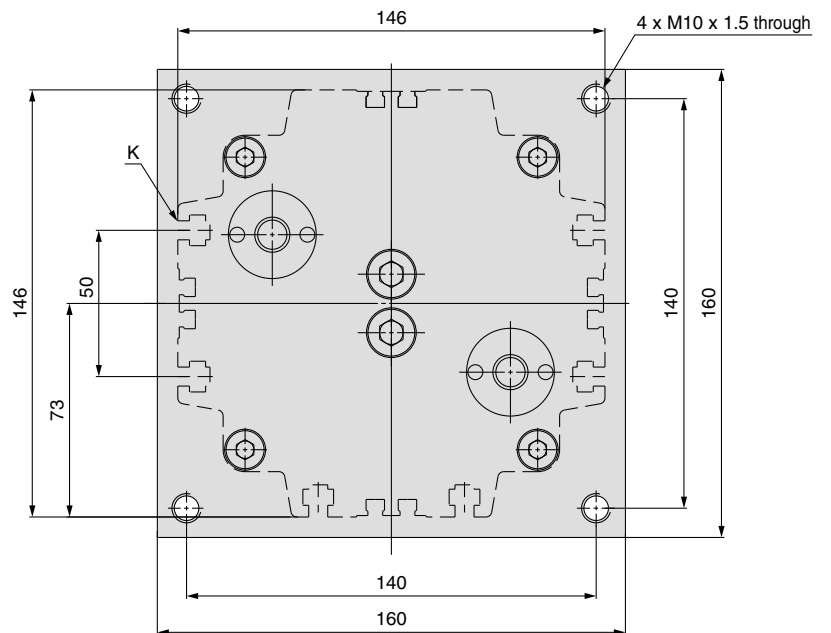
MGF63



When the cylinder is extended



6 x K (6 places)



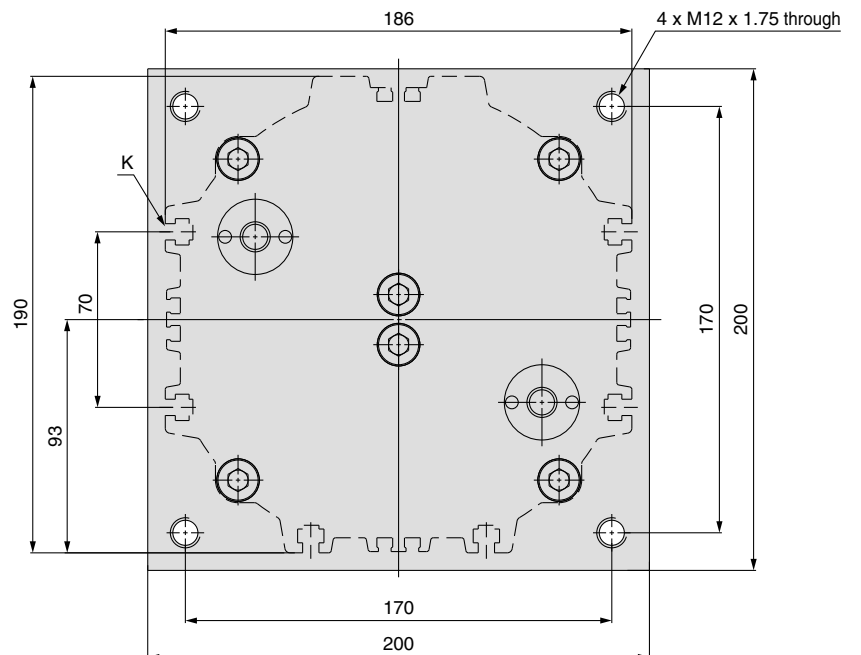
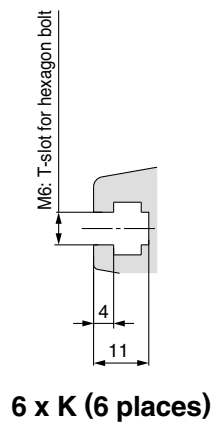
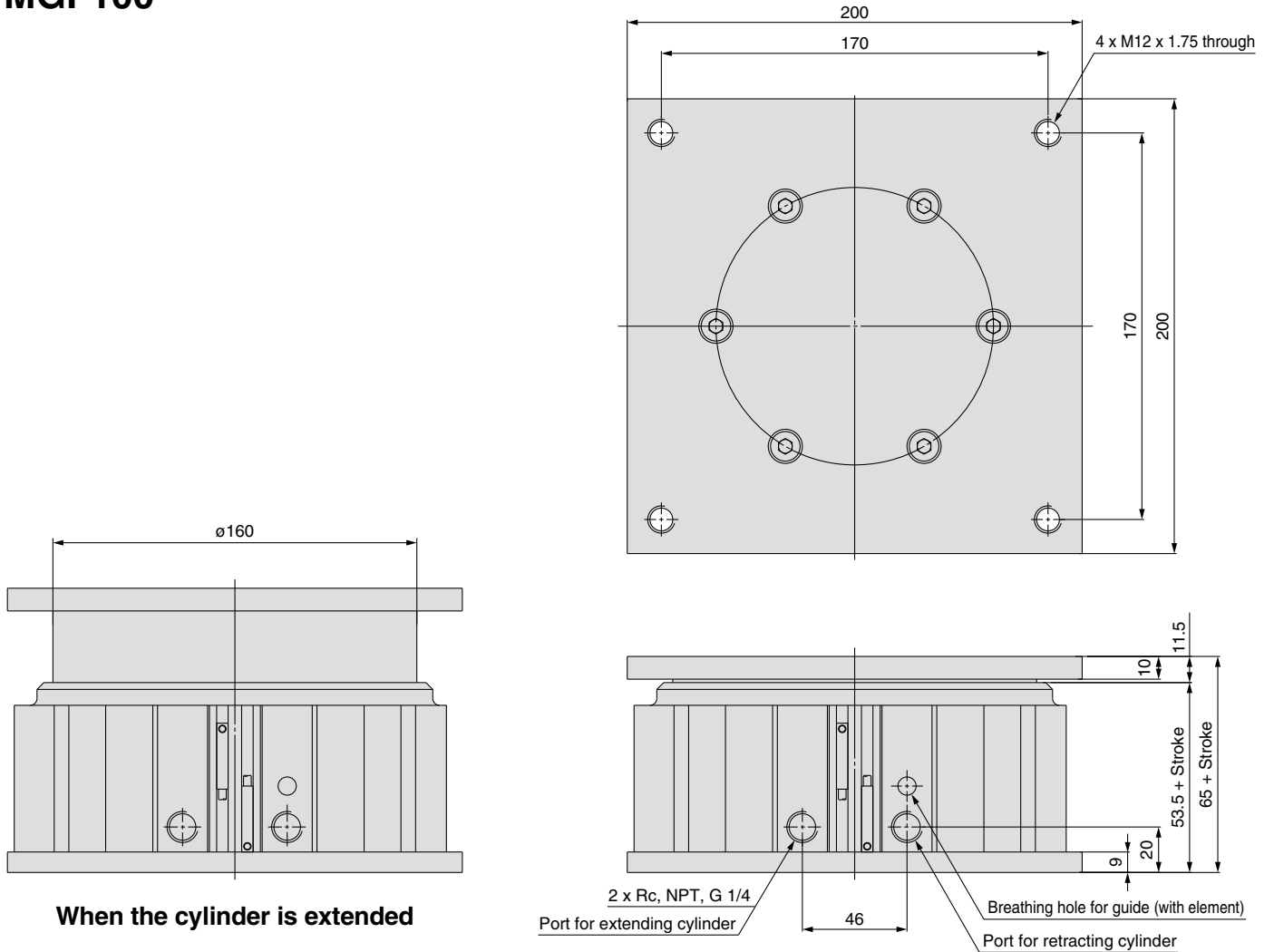
- MGJ**
- MGP**
- MGQ**
- MGG**
- MGC**
- MGF**
- MGZ**
- MGT**

- D-□**
- X□**
- Individual
- X□**

Series MGF

Dimensions: $\varnothing 100$

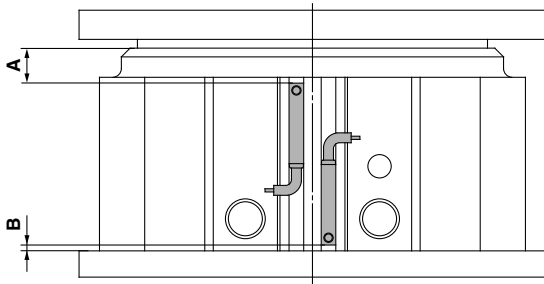
MGF100



Minimum Auto Switch Mounting Stroke

No. of auto switches mounted	Applicable auto switch model								
	D-M9□V	D-M9□WV D-M9□AVL	D-M9□ D-M9□W	D-M9□AL	D-Z7□ D-Z8□	D-Y69□ D-Y7PV	D-Y59□ D-Y7P	D-Y7□WV	D-Y7□W D-Y7BAL
1 pc.	5	10	15	20	10	5	10	15	20
2 pcs.	10	10	20	25	15	10	10	15	20

Auto Switch Proper Mounting Position (Detection at Stroke End)



Auto Switch Proper Mounting Position

Auto switch model	Bore size (mm)			
	D-M9□ D-M9□V D-M9□W D-M9□WV D-M9□AL D-M9□AVL		D-Z7□/Z80 D-Y59□/Y69□ D-Y7P/Y7PV D-Y7□W/Y7□WV D-Y7BAL	
Bore size (mm)	A	B	A	B
40	9	5	4	0
63	19.5	5	14.5	0
100	24.5	5	19.5	0

Dimensions above denote the standard strokes.
Adjustment on A dimension is required for intermediate strokes.
Note) Adjust the auto switch after confirming the operating conditions in the actual setting.

Operating Range

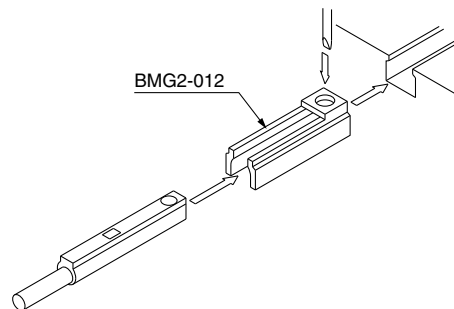
Auto switch model	Bore size (mm)		
	40	63	100
D-M9□/M9□V D-M9□W/M9□WV D-M9□AL/M9□AVL	6	6.5	6
D-Z7□/Z80	10	10	10
D-Y59□/Y69□ D-Y7P/Y7PV D-Y7□W/Y7□WV D-Y7BAL	6	6	6

* Since this is a guideline including hysteresis, not meant to be guaranteed. (Assuming approximately ±30% dispersion)
There may be the case it will vary substantially depending on an ambient environment.

Auto Switch Mounting Bracket: Part No.

Auto switch model	Bore size (mm)
	ø40, ø63, ø100
D-M9□/M9□V D-M9□W/M9□WV D-M9□AL/M9□AVL	BMG2-012

D-M9□(V)/M9□W(V)/M9□A(V)L



MGJ

MGP

MGQ

MGG

MGC

MGF

MGZ

MGT

Other than the applicable auto switches listed in "How to Order", the following auto switches can be mounted. For detailed specifications, refer to pages 1719 to 1827.

Auto switch type	Model	Electrical entry (Fetching direction)	Features
Solid state	D-Y69A, Y69B, Y7PV	Grommet (Perpendicular)	—
	D-Y7NWV, Y7PWV, Y7BWV		Diagnostic indication (2-color indication)
	D-Y59A, Y59B, Y7P	Grommet (In-line)	—
	D-Y7NW, Y7PW, Y7BW		Diagnostic indication (2-color indication)

* For solid state auto switches, auto switches with a pre-wired connector are also available. Refer to pages 1784 and 1785 for details.
* Normally closed (NC = b contact), solid state auto switch (D-F9G/F9H/Y7G/Y7H type) are also available. For details, refer to pages 1746 and 1748.

D-□

-X□

Individual
-X□



Series MGF Specific Product Precautions

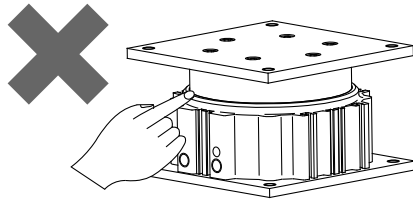
Be sure to read before handling.

Refer to front matters 42 and 43 for Safety Instructions and pages 3 to 11 for Actuator and Auto Switch Precautions.

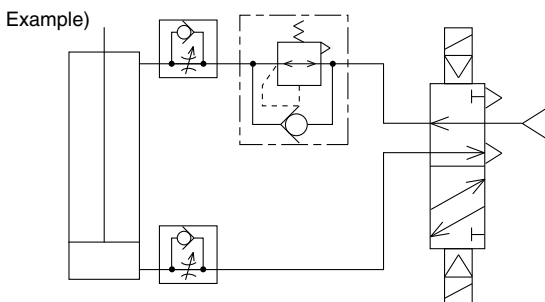
Selection

⚠ Caution

- ① **Operate loads within the range of the operating limits.**
Select a model taking into consideration the allowable horizontal loads, rotational torque and eccentric loads that will apply. When used in excess of the applicable limit, eccentric loads applied to the tube guide will cause wear of the guide, increase the guide's deviation range, cause stress cracks and breaks on the mounting bolts, and decrease the life of the cylinder.
- ② **Do not allow any dents, scratches, or other damage on the mounting faces of either the plate or end plate.**
The flatness of the mounting face may deteriorate, the guide's deviation range may increase and the sliding resistance may become greater.
- ③ **Do not allow hands or fingers near the cylinder during its operation.**
Your fingers may be caught between the body and the plate. If you need to come near the cylinder during its operation, install a cover on the cylinder.



- ④ **Do not bring objects that are sensitive to magnetism near the cylinder.**
There is a magnet built into the cylinder. Do not bring magnetic disks, cards, or tapes near the cylinder. Data may be lost.
- ⑤ **If the cylinder is operated vertically with heavy loads, measures must be taken to prevent rapid advancement of the piston rod when starting to operate in the downward direction.**
If the cylinder is operated vertically with heavy loads at the same pressure for both upward and downward directions, the starting speed in the downward direction may be higher than the speed controlled with a speed controller. In such cases, use a dual pressure control circuit as a pneumatic circuit.



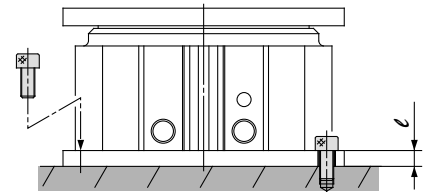
- ⑥ **Avoid use in environments where a cylinder will come in contact with coolants, cutting oil, water, adhesive matter, or dust, etc. Also avoid operation with compressed air that contains drain or foreign matter, etc.**
Foreign matter or liquids on the cylinder's interior or exterior can wash out the lubricating grease, which can lead to deterioration and damage of bearing sliding parts and seal materials, causing a danger of malfunction.
When operating in locations with exposure to water and oil, or in dusty locations, provide protection such as a cover to prevent direct contact with the cylinder and operate with clean compressed air.

Mounting

⚠ Caution

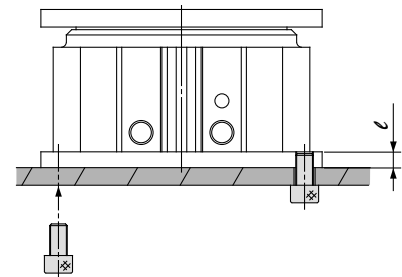
- ① **For mounting the cylinder, use screws that meet the appropriate length and tighten within the limits of the maximum tightening torque.**

Mounting from upper side



Model	Bolt	Maximum tightening torque (N·m)	l (mm)
MGF 40	M6 x 1	10	7.5
MGF 63	M8 x 1.25	25	9
MGF100	M10 x 1.5	51	9

Mounting from bottom side



Model	Bolt	Maximum tightening torque (N·m)	l (mm)
MGF 40	M8 x 1.25	18	7.5
MGF 63	M10 x 1.5	36	9
MGF100	M12 x 1.75	65	9

- ② **When mounting a workpiece to the cylinder, do so only when the piston is retracted. Also make sure that the rotational torque applied to the cylinder body does not exceed the allowable rotational torque (given on page 410).**

(Otherwise, the excessive rotational torque will damage the non-rotating mechanism and lead to a malfunction.)