



# E/P Pressure Regulator

Industrial Ethernet Communication

Electro-Pneumatic Regulator

Electronic Vacuum Regulator

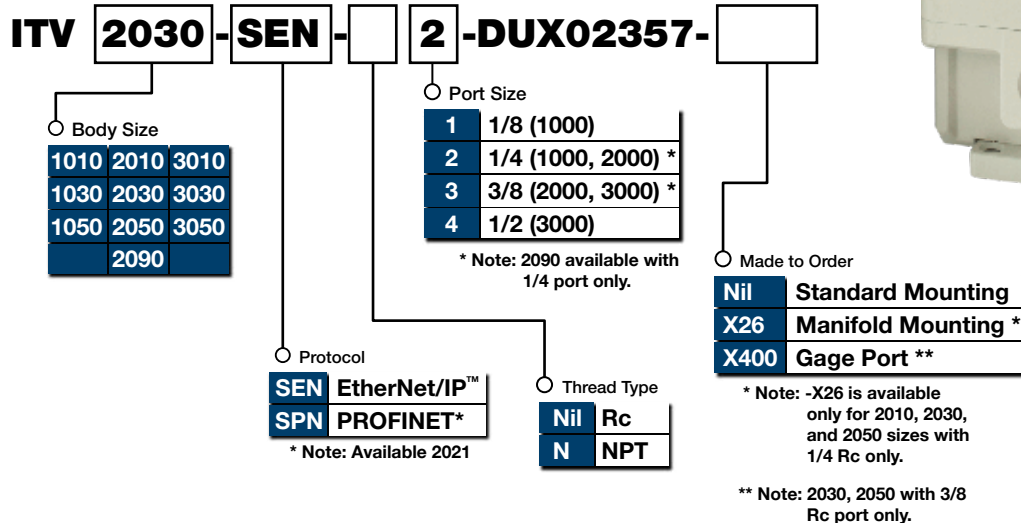


## Features

- DIP switch for IP address setting
- EtherNet/IP QuickConnect
- Integrated 2-port ethernet switch
- Device Level Ring (Ethernet/IP)
- Daisy chain/PoE (up to 5 units)
- Integrated web server/DHCP
- Setpoint and feedback in engineering units
- Adjustable gain & sensitivity
- Over and under voltage indication
- Hold set pressure on lost connection



## How to Order



## Specifications

Model	1010	1030	1050	2090
	2010	2030	2050	
	3010	3030	3050	
Min. Supply Pressure (psi)	Set Pressure +14.5			-1.9
Max. supply pressure (psi)	29	145		-14.6
Set Pressure Range (psi)	0.7 to 14.5	0.7 to 72.5	0.7 to 130.5	-0.2 to -11.6
Power Supply Voltage	24VDC ± 10%			
Current Consumption	0.15A or less			
Input & Output Signal	12 bit resolution			
Linearity	Within ± 1% (Full Span)			
Hysteresis	Within ± 0.5% (Full Span)			
Repeatability	Within ± 0.5% (Full Span)			
Sensitivity	Within ± 0.2% (Full Span)			
Temperature Characteristics	Within ± 0.12% (Full Span) / °C			
Ambient & Fluid Temperature	0 to 50°C (32 to 122 °F) (No condensation)			
Enclosure Rating	IP65			
Weight	Size 1000	12.3 oz.		
	Size 2000	15.9 oz.		
	Size 3000	26.5 oz.		
Compliance	CE, UL, OVDA EtherNet/IP 1.26			





### How to Order

# IITV20-XX-X-20X0-SXX-DUX02357

Port size		Number of Stations		Pressure	
2	1/4 (1000, 2000)	2 Station	1	0.1 MPa	Protocol
3	3/8 (2000, 3000)	3 Station	3	0.5 MPa	
		4 Station	5	0.9 MPa	
Thread Type		5 Station			
Nil	Rc(PT)	6 Station			
N	NPT	7 Station			
F	NPTF	8 Station			
				SEN	Ethernet I/P™
				SPN	PROFINET*

\* Note: Available 2021



### Porting

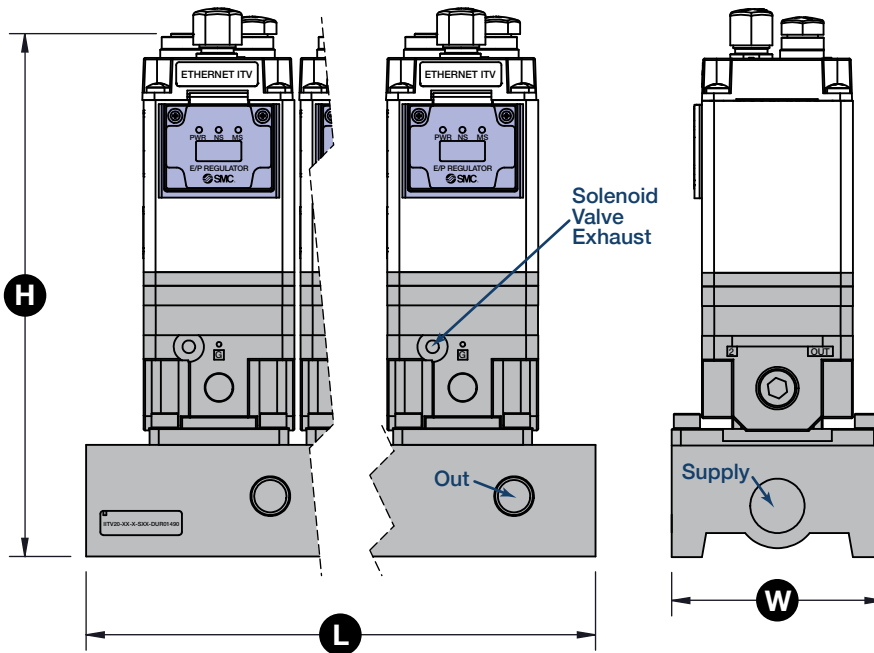
- Supply: 1/2
- Out: 1/4 or 3/8 (per order)
- Thread Type: Rc, NPT or NPTF (per order)
- Solenoid Valve Exhaust: M5x0.8 port

### Dimensions

- Length (mm): 52N + 36 (N = # of stations)
- Height (mm): 173.2
- Width (mm): 70

### Mounting Screws

- 4X M5x0.8 SHCS



### Specifications

Voltage	24 VDC ± 10%
Input Signal (Digital)	12 Bit
Output Signal (Digital)	12 Bit
Linearity	Within ± 1% Full SPAN
Hysteresis	Within ± 0.5% Full Span
Repeatability	Within ± 0.5% Full Span
Sensitivity	Within ± 0.2% Full Span
Enclosure	IP 65*

\* Note: To meet IP rating, liquids must not have access to solenoid valve exhaust port

