

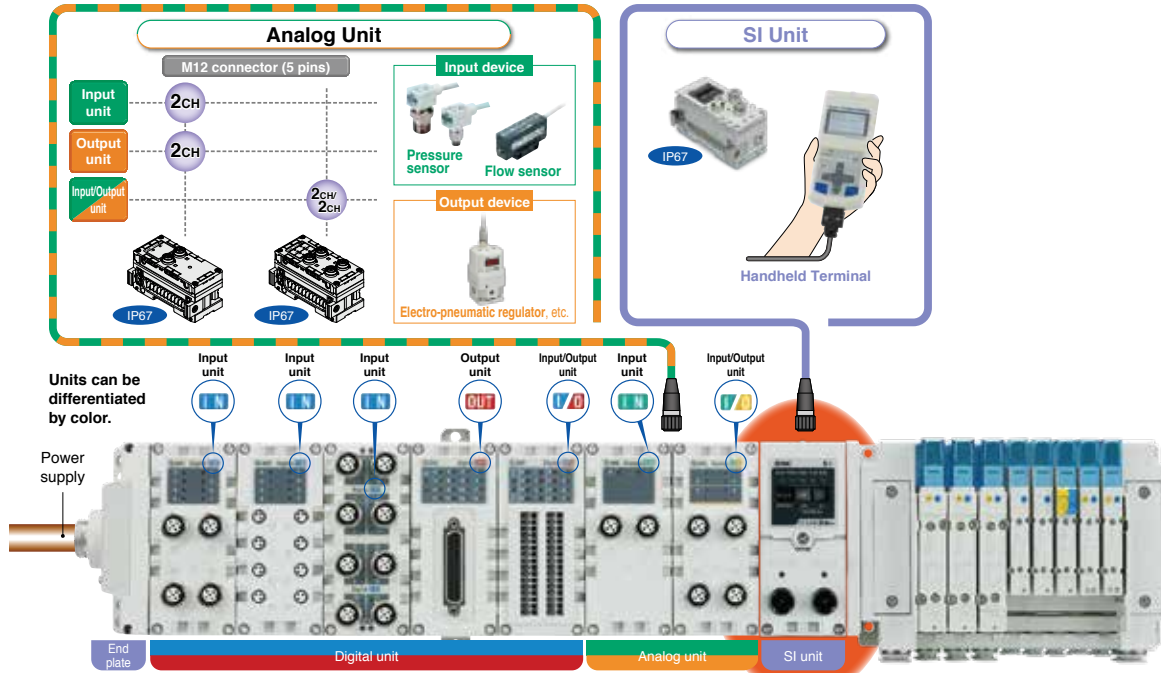


# MODBUS TCP Compatible Fieldbus System

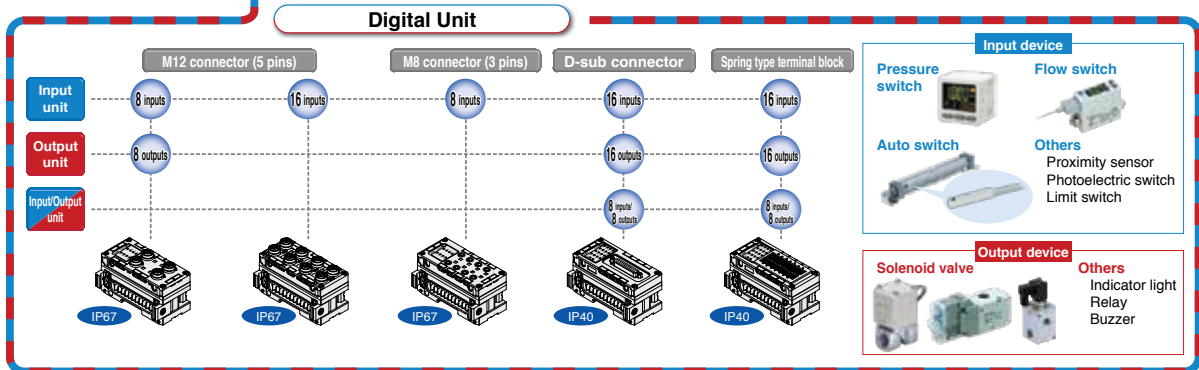
Supports MODBUS TCP Communication



## EX600-SMT1-X25



For detailed specifications of connectable devices, refer to the catalog of each device and select the right device for your application. If anything is unclear, please contact SMC.



### Manifold Solenoid Valves



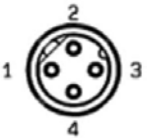
### Caution

To ensure the safest possible operation of this product, please be sure to thoroughly read the "Safety Instructions" in our "Best Pneumatics" catalog before use.

**MODBUS Compatible Fieldbus System**  
**EX600-SMT1-X25**

Item	Description
<b>General</b>	
Enclosure	IP67(combination with valve manifold)
Housing material	PBT
Weight	300g or less
Operating temperature range	-10 to 50℃
Operating humidity range	30 to 85%RH(No dew condensation)
Vibration resistance	10 to 57Hz with constant amplitude of 0.75mm p-p 57 to 150Hz with constant acceleration of 49m/s <sup>2</sup> for 2 hours in each direction of X,Y and Z (During de-energizing)
Max. number of I/O Unit	9
Standards	CE marked, RoHS recognition
Weight	300g or less
<b>Solenoid valve</b>	
Applicable series	VQC1000/2000/4000/, SV1000/2000/3000/ SY3000/5000/, S0700
Max. number of solenoid valves	32 solenoid coils
Output type of solenoid	PNP(Negative common)
Short circuit protection	YES
<b>Fieldbus</b>	
Protocol	Modbus/TCP
Media	100 BASE-TX
Communication speed	10/100Mbps(Automatic/Manual)
Communication method	Full duplex/Half duplex(Automatic/Manual)
IP address setting method	DHCP Dip switch;from 192.168.0.1 to 192.168.1.254
Function Code	Read Coils(0x01) Read Discrete Inputs(0x02) Read Holding Registers(0x03) Read Input Registers(0x04) Write Single Coil(0x05) Write Single Register(0x06) Write Multiple Coils(0x0F) Write Multiple Registers(0x10) Read/Write Multiple Registers(0x17)

**Wiring Specifications**

Communication connector BUS IN/OUT											
<p>M12 4-pin socket, D-Coding</p>  <table border="1" data-bbox="344 1171 669 1323"> <thead> <tr> <th>No.</th> <th>Designation</th> </tr> </thead> <tbody> <tr> <td>1</td> <td>TX+</td> </tr> <tr> <td>2</td> <td>RX+</td> </tr> <tr> <td>3</td> <td>TX-</td> </tr> <tr> <td>4</td> <td>RX-</td> </tr> </tbody> </table>	No.	Designation	1	TX+	2	RX+	3	TX-	4	RX-	<p>Mating cable examples [M12 connector (straight) — Separate lines] : PCA-1446566 (5 m) made by SMC, etc.</p> <p>[M12 connector (straight) (Fieldwireable connector)] : PCA-1446553 made by SMC, etc.</p> <p>[M12 connector (straight) — RJ45 connector] : EX9-AC010EN-PSRJ (1 m) : EX9-AC020EN-PSRJ (2 m) : EX9-AC030EN-PSRJ (3 m) : EX9-AC050EN-PSRJ (5 m) : EX9-AC100EN-PSRJ (10 m) (made by SMC), etc.</p> <p>[M12 connector (straight) — M12 connector (straight)] : EX9-AC010EN-PSPS-X19 (1 m) : EX9-AC020EN-PSPS-X19 (2 m) : EX9-AC030EN-PSPS-X19 (3 m) : EX9-AC050EN-PSPS-X19 (5 m) : EX9-AC100EN-PSPS-X19 (10 m) (made by SMC), etc.</p>
No.	Designation										
1	TX+										
2	RX+										
3	TX-										
4	RX-										

**How to Order**

**EX600-SMT1-X25**

• Communication protocol

PL MODBUS TCP

• Output specification

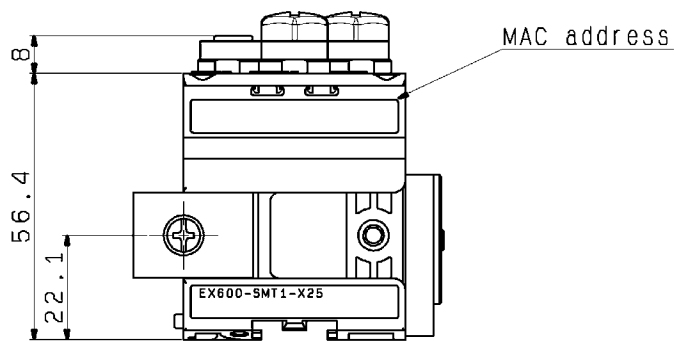
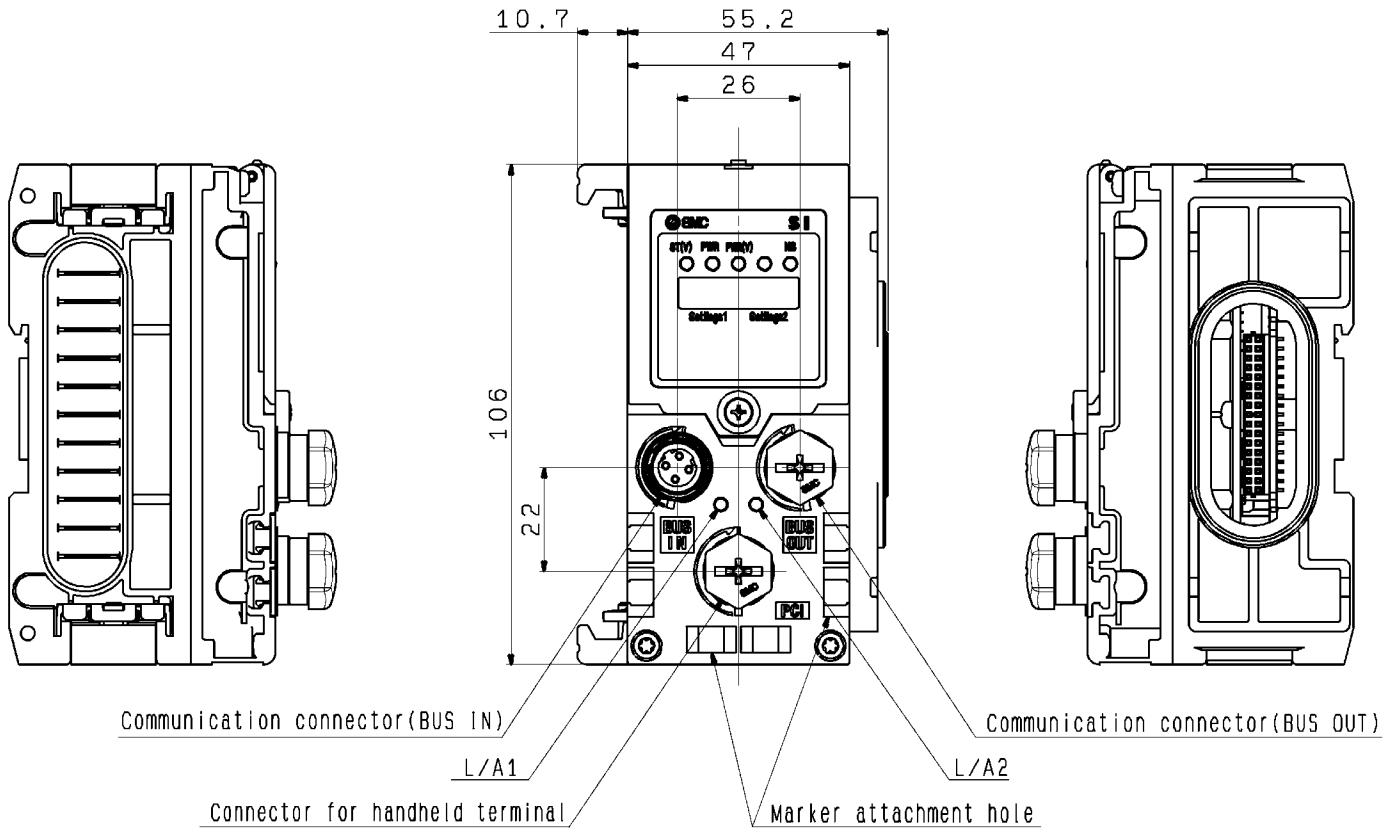
1 32 outputs, PNP (Negative common)/Source

\* Order the end plate and input/output units as a set to be used in combination.



**Dimensions**

[mm]



**! Caution**

1. For the dimensions when combined with the valve manifold, use the valve manifold dimensions of the standard EX600 series.
2. Order the valve manifold, end plate, and input/output units separately.  
Specify "no SI unit" and "negative common" for the valve manifold specifications.

# Global Manufacturing, Distribution and Service Network

## Worldwide Subsidiaries

### EUROPE

**AUSTRIA**  
SMC Pneumatik GmbH (Austria)

**BELGIUM**  
SMC Pneumatics N.V./S.A.

**BULGARIA**  
SMC Industrial Automation Bulgaria EOOD

**CROATIA**  
SMC Industrijska Automatika d.o.o.

**CZECH REPUBLIC**  
SMC Industrial Automation CZ s.r.o.

**DENMARK**  
SMC Pneumatik A/S

**ESTONIA**  
SMC Pneumatics Estonia

**FINLAND**  
SMC Pneumatics Finland OY

**FRANCE**  
SMC Pneumatique S.A.

**GERMANY**  
SMC Pneumatik GmbH

**GREECE**  
SMC Hellas EPE

**HUNGARY**  
SMC Hungary Ipari Automatizálási Kft.

**IRELAND**  
SMC Pneumatics (Ireland) Ltd.

**ITALY**  
SMC Italia S.p.A.

**KAZAKHSTAN**  
LLP "SMC Kazakhstan"

**LATVIA**  
SMC Pneumatics Latvia SIA

**LITHUANIA**  
UAB "SMC Pneumatics"

**NETHERLANDS**  
SMC Pneumatics B.V.

**NORWAY**  
SMC Pneumatics Norway AS

**POLAND**  
SMC Industrial Automation Polska Sp. z o.o.

**ROMANIA**  
SMC Romania S.r.l.

**RUSSIA**  
SMC Pneumatik LLC.

**SLOVAKIA**  
SMC Priemyselná Automatizácia, Spol s.r.o.

**SLOVENIA**  
SMC Industrijska Avtomatika d.o.o.

**SPAIN / PORTUGAL**  
SMC España, S.A.

**SWEDEN**  
SMC Pneumatics Sweden AB

**SWITZERLAND**  
SMC Pneumatik AG

**TURKEY**  
SMC Pnömatik Sanayi Ticaret ve Servis A.Ş.

**UK**  
SMC Pneumatics (U.K.) Ltd.

### ASIA / OCEANIA

**AUSTRALIA**  
SMC Pneumatics (Australia) Pty. Ltd.

**CHINA**  
SMC (China) Co., Ltd.  
SMC Pneumatics (Guangzhou) Ltd.

**HONG KONG**  
SMC Pneumatics (Hong kong) Ltd.

**INDIA**  
SMC Pneumatics (India) Pvt. Ltd.

**INDONESIA**  
PT. SMC Pneumatics Indonesia

**JAPAN**  
SMC Corporation

**MALAYSIA**  
SMC Pneumatics (S.E.A.) Sdn. Bhd.

**NEW ZEALAND**  
SMC Pneumatics (N.Z.) Ltd.

**PHILIPPINES**  
Shoketsu SMC Corporation

**SINGAPORE**  
SMC Pneumatics (S.E.A.) Pte. Ltd.

**SOUTH KOREA**  
SMC Pneumatics Korea Co., Ltd.

**TAIWAN**  
SMC Pneumatics (Taiwan) Co., Ltd.

**THAILAND**  
SMC (Thailand) Ltd.

**UNITED ARAB EMIRATES**  
SMC Pneumatics Middle East FZE

**VIETNAM**  
SMC Pneumatics (VN) Co., Ltd

### AFRICA

**SOUTH AFRICA**  
SMC Pneumatics (South Africa) Pty Ltd

### NORTH, CENTRAL & SOUTH AMERICA

**ARGENTINA**  
SMC Argentina S.A.

**BOLIVIA**  
SMC Pneumatics Bolivia S.R.L.

**BRAZIL**  
SMC Pneumáticos do Brasil Ltda.

**CANADA**  
SMC Pneumatics (Canada) Ltd.

**CHILE**  
SMC Pneumatics (Chile) S.A.

**COLOMBIA**  
SMC Colombia Sucursal de SMC Chile, S.A.

**MEXICO**  
SMC Corporation (Mexico) S.A. de C.V.

**PERU**  
SMC Corporation Peru S.A.C.

**USA**  
SMC Corporation of America

**VENEZUELA**  
SMC Neumatica Venezuela S.A.

## U.S. & Canadian Sales Offices

### WEST

Austin  
Dallas  
Los Angeles  
Phoenix  
Portland  
San Jose

### CENTRAL

Chicago  
Cincinnati  
Cleveland  
Detroit  
Des Moines  
Grand Rapids  
Indianapolis  
Kansas City  
Milwaukee  
Minneapolis  
St. Louis

### EAST

Albany  
Atlanta  
Birmingham  
Boston  
Charlotte  
Knoxville  
Nashville  
New Jersey  
Rochester  
Tampa

### CANADA

Montreal  
Quebec City  
Toronto  
Vancouver  
Windsor

