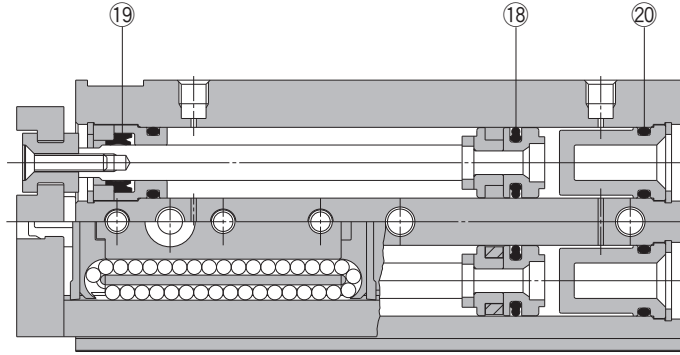


Series MXQR

ø6, ø8, ø12
ø16, ø20, ø25

Replacement
Procedure is
p.319

Construction



* The numbers are the same as the "Construction" of the MXQR series catalog (CAT.ES20-203).

Seal Kit List

No.	Description	Material	Note
18	Piston seal	NBR	
19	Rod seal		
20	O-ring		

Replacement Parts: Seal Kit

Bore size (mm)	Kit no.	Contents
6	MXQ6-PS	Set of left nos. 18, 19, 20
8	MXQ8-PS	
12	MXQ12-PS	
16	MXQ16-PS	
20	MXQ20-PS	
25	MXQ25-PS	

* Seal kit includes these seals to provide as a set. Order the seal kit, based on each bore size.

Replacement Parts: Grease Pack

Applied part	Grease pack part no.
Guide unit	GR-S-010 (10 g)
	GR-S-020 (20 g)
Cylinder unit	GR-L-005 (5 g)
	GR-L-010 (10 g)

Actuators

Modular F.R.L.
Pressure Control Equipment

Air Preparation
Equipment

Industrial Filters

Replacement
Procedure

Actuators

Modular F.R.L.
Pressure Control Equipment

Industrial Filters