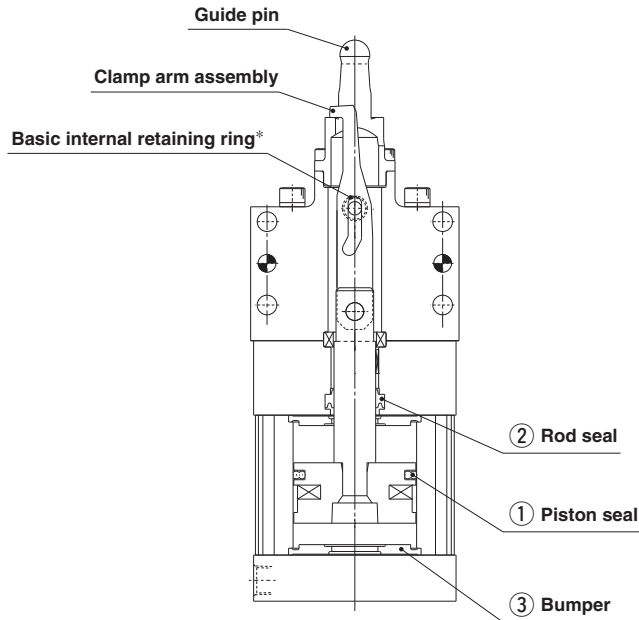


Pin Clamp Cylinder/Plate Cylinder Type

Series CKU32

Construction

CKU32-120R□L-X2091



Replacement Parts: Seal Kit

Kit No.	Contents
MUB32-PS	① Piston seal ② Rod seal ③ Bumper

* Seal kit includes ①, ②, ③. Since the seal kit does not include a grease pack, order the "Grease Pack" separately.

Replacement Parts: Grease Pack

Kit No.	Contents
GR-S-010	Grease 10 g

* Consult with SMC when replacing the actuating cylinders.

Actuators

Modular F.R.L.
Pressure Control Equipment

Air Preparation
Equipment

Industrial Filters

Replacement
Procedure

Actuators

Modular F.R.L.
Pressure Control Equipment

Industrial Filters