

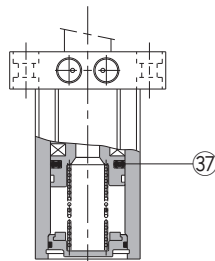
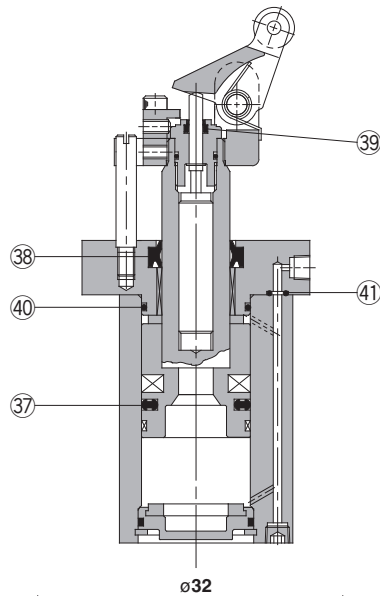
# Heavy Duty Stopper Cylinder

## Series RSH $\varnothing 20, \varnothing 32$

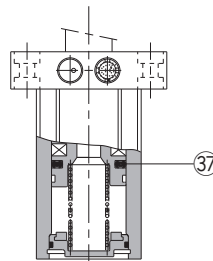
Replacement  
Procedure is  
P.387

### Construction

$\varnothing 20, \varnothing 32$   
Double acting (DL, DM)



Double acting spring type  
(BL, BM)



Single acting  
(TL, TM)

\* The numbers are the same as the "Construction" of the Best Pneumatics No.3 Series RSH/RS1H.

### Seal Kit List

No.	Description	Material	Note
37	Piston seal	NBR	
38	Rod seal		
39	Scraper		
40	Tube gasket		
41	O-ring		

38 is a non-replaceable part, so it is not included in the seal kit.

### Replacement Parts: Shock Absorber

Bore size (mm)	Order no.
20	RSH-R20
32	RSH-R32

### Replacement Parts: Seal Kit

Bore size (mm)	Kit no.			Contents
	Double acting	Double acting spring type	Single acting	
20	RSH20D-PS	RSH20T-PS		Set of left nos.
32	RSH32D-PS	RSH32T-PS		37, 39, 40, 41

\* Seal kit includes 37, 39, 40, 41 for  $\varnothing 20$  to  $\varnothing 32$ . Order the seal kit based on each bore size.

\* Since the seal kit does not include a grease pack, order it separately.  
Grease pack part no.: GR-S-010 (10 g)