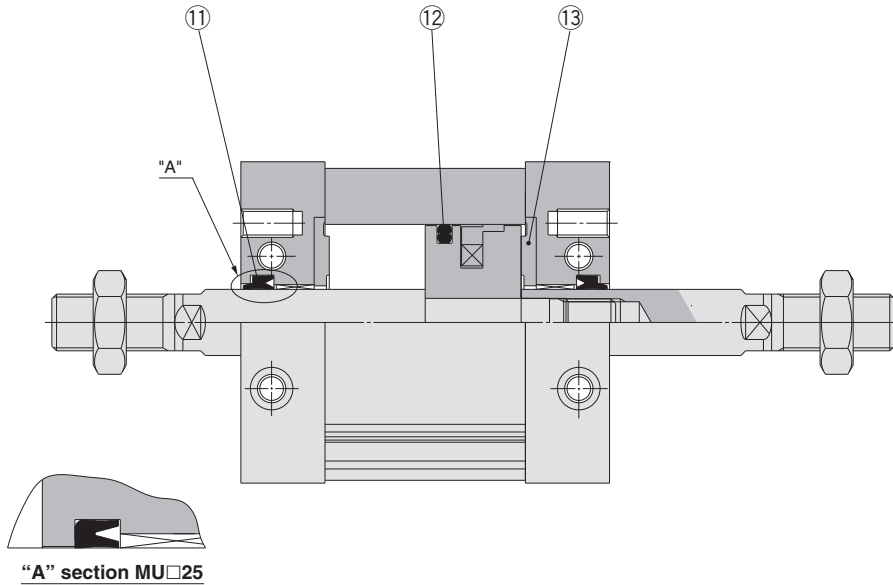


Series MUW

ø25, ø32, ø40, ø50, ø63

Construction



* The numbers are the same as the "Construction" of the MU series catalog (CAT.ES20-208).

Seal Kit List

No.	Description	Material	Note
①	Rod seal	NBR	
⑫	Piston seal		
⑬	Bumper		

Replacement Parts: Seal Kit

Bore size (mm)	Kit no.	Contents
25	MUW25-PS	Set of left nos. ①, ⑫, ⑬.
32	MUW32-PS	
40	MUW40-PS	
50	MUW50-PS	
63	MUW63-PS	

* Seal kit includes ① to ⑬. Order the seal kit, based on each bore size.

* Since the seal kit does not include a grease pack, order it separately.

Grease pack part no.: GR-S-010 (10 g)