

Valve Mounted Cylinder/Single Acting, Spring Return/Extend

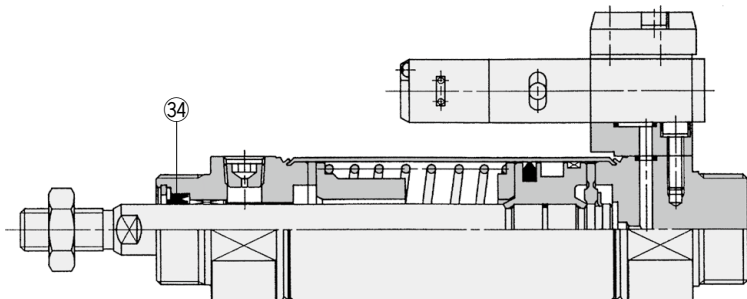
Series CVM3

ø20, ø25, ø32, ø40

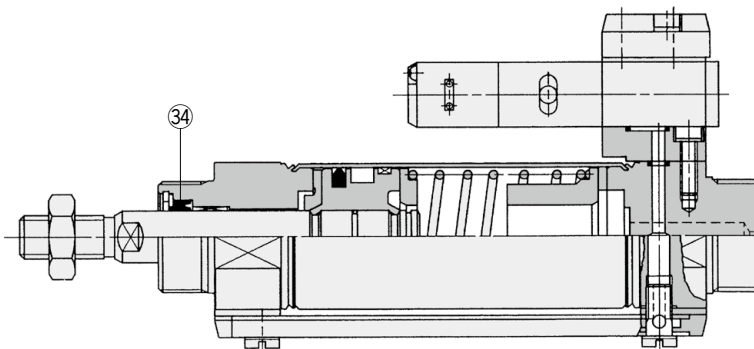
Replacement
Procedure is
P.280

Construction

Spring return



Spring extend



* The numbers are the same as the "Construction" of the Best Pneumatics No.3 Series CVM3.

Seal Kit List

No.	Description	Material	Note
34	Rod seal	NBR	

Replacement Parts: Seal Kit

Bore size (mm)	Kit no.	Contents
20	CM220-PS	
25	CM225-PS	
32	CM232-PS	
40	CM240-PS	

* Since the seal kit does not include a grease pack, order it separately.
Grease pack part no.: GR-S-010 (10 g)

Actuators

Modular F.R.L.
Pressure Control Equipment

Air Preparation
Equipment

Industrial Filters

Replacement
Procedure

Actuators

Modular F.R.L.
Pressure Control Equipment

Industrial Filters