

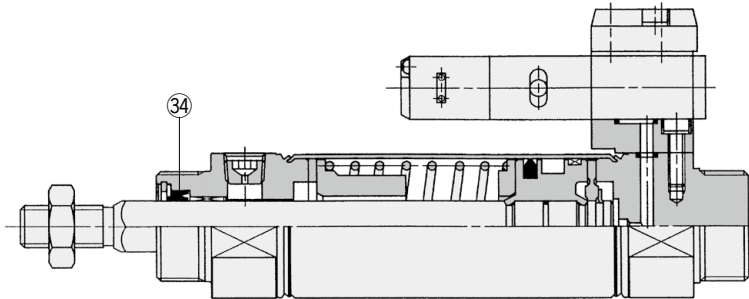
# Series CVM3K

ø20, ø25  
ø32, ø40

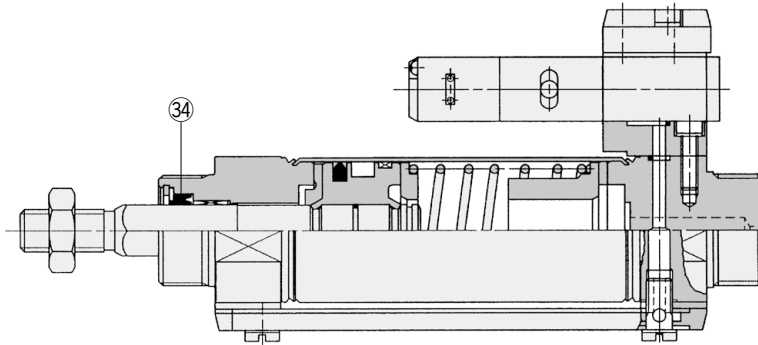
Replacement  
Procedure is  
P.280

## Construction

### Spring return



### Spring extend



\* The numbers are the same as the "Construction" of the Best Pneumatics No.3 Series CVM3K.

### Seal Kit List

No.	Description	Material	Note
34	Rod seal	NBR	

### Replacement Parts: Seal Kit

Bore size (mm)	Kit no.	Contents
20	CM2K20-PS	
25	CM2K25-PS	
32	CM2K32-PS	
40	CM2K40-PS	

\* Since the seal kit does not include a grease pack, order it separately.  
Grease pack part no.: GR-S-010 (10 g)