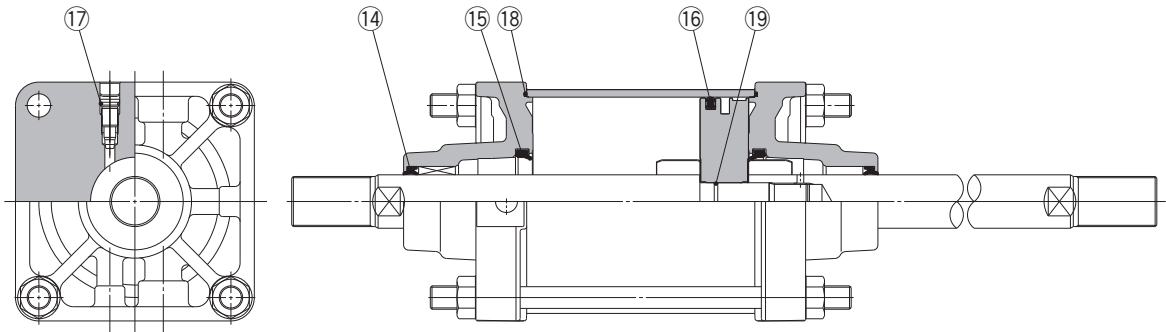


Series CS2W

ø125, ø140, ø160



Construction



* The numbers are the same as the "Construction" of the CS2 series catalog (CAT.ES20-196).

Component Parts: Seal Kit List

No.	Description	Material	Note
14	Rod seal	NBR	17 and 19 are non-replaceable parts, so they are not included in the seal kit.
15	Cushion seal	Urethane	
16	Piston seal	NBR	
17	Valve seal	NBR	
18	Tube gasket	NBR	
19	Piston gasket	NBR	

Replacement Parts: Seal Kit

Bore size (mm)	Kit no.	Contents
125	CS2W125A-PS	Component part numbers: 14, 15, 16, 18.
140	CS2W140A-PS	
160	CS2W160A-PS	

* Seal kit includes a grease pack (40 g).
Order with the following part number when only the grease pack is needed.

Grease pack part no.: GR-S-010 (10 g), GR-S-020 (20 g)

Actuators

Modular F.R.L.
Pressure Control Equipment

Air Preparation
Equipment

Industrial Filters

Replacement
Procedure

Actuators

Modular F.R.L.
Pressure Control Equipment

Industrial Filters