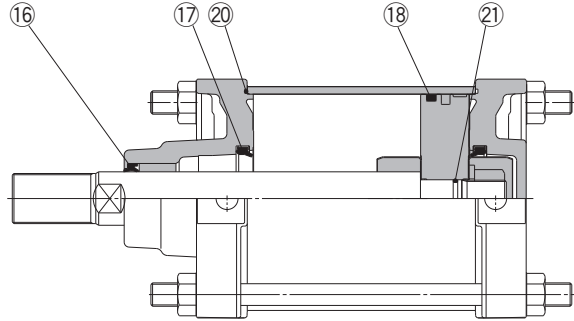
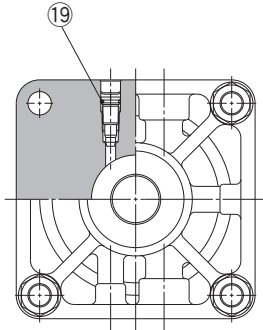


Construction

* The numbers are the same as the "Construction" of the Best Pneumatics No.3 Series CS2Y.

Seal Kit List

No.	Description	Material	Note
16	Rod seal	NBR	19 and 21 are non-replaceable parts, so they are not included in the seal kit.
17	Cushion seal *	Urethane	
18	Piston seal	NBR	
19	Valve seal	NBR	
20	Tube gasket	NBR	
21	Piston gasket	NBR	

* Used with cushion only.

Replacement Parts: Seal Kit

Bore size (mm)	Kit no.	Contents
125	CS2Y125A-PS	Without cushion
140	CS2Y140A-PS	Consists of component part numbers 16, 18, and 20.
160	CS2Y160A-PS	
125	CS2Y125AA-PS	With single-side cushion
140	CS2Y140AA-PS	Consists of component part numbers 16, 17 (two), 18, and 20.
160	CS2Y160AA-PS	
125	CS2Y125AR-PS	With single-side cushion
140	CS2Y140AR-PS	Consists of component part numbers 16, 17 (one), 18 and 20.
160	CS2Y160AR-PS	

* Seal kit does not include a grease pack.

Order with the following part number when only the grease pack is needed.

Grease pack part no.: GR-L-005 (5 g), GR-S-010 (10 g), GR-L-150 (150g)