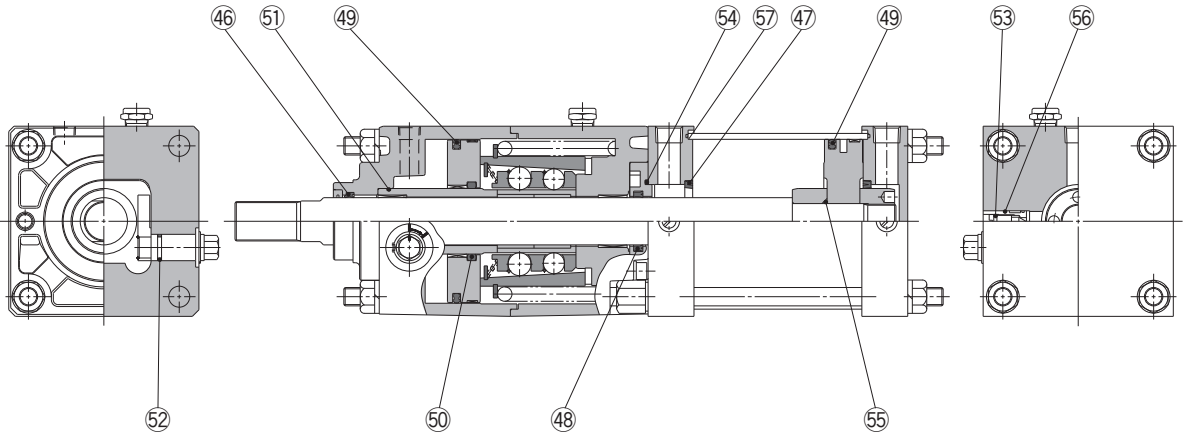


Series CNS

ø125, ø140, ø160

Replacement
Procedure is
p.356

Construction



* The numbers are the same as the "Construction" of the Best Pneumatics No.3 Series CNS.

Seal Kit List

No.	Description	Material	Note
46	Wiper ring	NBR	47, 50 to 52, 55 and 56 are non-replaceable parts, so they are not included in the seal kit.
47	Cushion seal	NBR	
48	Rod seal	NBR	
49	Piston seal	NBR	
50	O-ring (for release piston)	NBR	
51	O-ring (for piston guide)	NBR	
52	O-ring (for unlocking cam)	NBR	
53	Valve seal	NBR	
54	Retaining plate gasket	NBR	
55	Piston gasket	NBR	
56	Guide gasket	NBR	
57	Tube gasket	NBR	

Replacement Parts: Seal Kit

Bore size (mm)	Kit no.	Contents
125	CS1N125A-PS	Set of left nos. (46, 48, 49, 53, 54, 57)
140	CS1N140A-PS	
160	CS1N160A-PS	

* Since the lock section for Series CNS is normally replaced as a unit, kits are for the cylinder section only. These can be ordered using the order number for each bore size.

* Seal kit includes 46, 48, 49, 53, 54, 57. Order the seal kit, based on each bore size.

* Seal kit includes a grease pack (40 g).

Order with the following part number when only the grease pack is needed.

Grease pack part no.: GR-S-010 (10 g), GR-S-020 (20 g)

* As for the center trunnion type, it is very difficult to adjust the position of the trunnion bracket and the center of the axis. Therefore repair at SMC is recommended.

Replacement Parts: Lock Unit

CNS 125 TN D - UA

Bore size (mm)

Unit assembly

Thread type

Locking direction (Both directions)

Nil	Rc
TN	NPT
TF	G