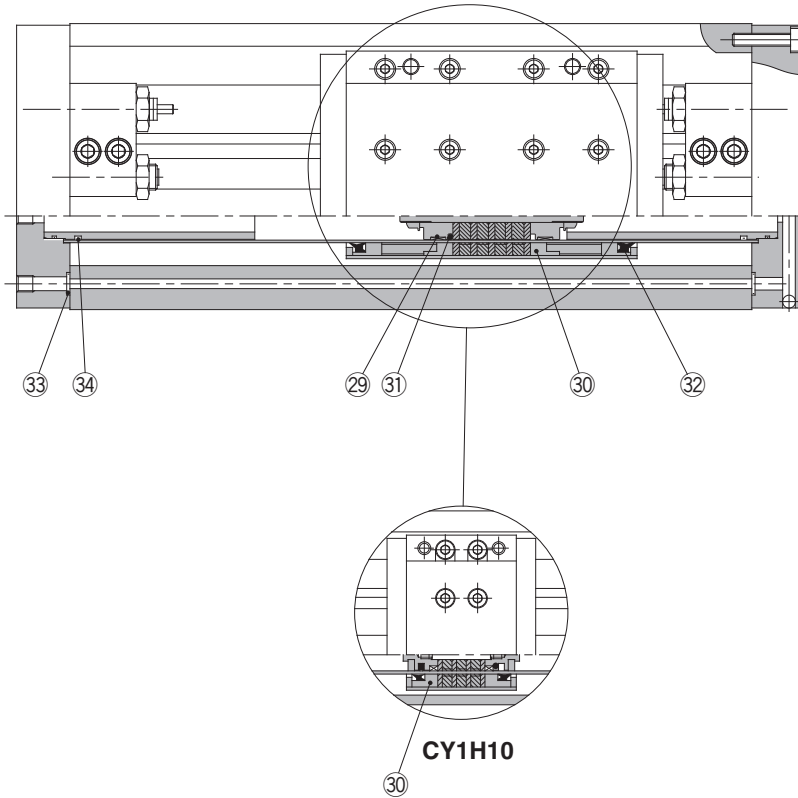


Series CY1H

Single Axis Type:
 $\phi 10$, $\phi 15$, $\phi 20$, $\phi 25$

Construction

Single axis type



* The numbers are the same as the "Construction" of the Best Pneumatics No.2 Series CY1H.

Seal Kit List

No.	Description	Material	Note
29	Wear ring A	Special resin	$\phi 10$: Not available
30	Wear ring B	Special resin	
31	Piston seal	NBR	
32	Scraper	NBR	
33	O-ring	NBR	
34	O-ring	NBR	

Replacement Parts: Seal Kit

Bore size (mm)	Kit no.	Contents
10	CY1H10-PS	Set of left nos. 30, 31, 32, 33, 34
15	CY1H15-PS	Set of left nos. 29, 30, 31, 32, 33, 34
20	CY1H20-PS	
25	CY1H25-PS	

Note 1) Seal kit includes 30 to 34 for $\phi 10$. 29 to 34 are for $\phi 15$ to $\phi 25$.
 Order the seal kit, based on each bore size.

Note 2) For wear ring A of $\phi 10$, please consult with SMC.

* Seal kit includes a grease pack ($\phi 10$: 5 and 10 g, $\phi 15$ to $\phi 25$: 10 g).
 Order with the following part number when only the grease pack is needed.

Grease pack part no. for $\phi 10$: GR-F-005 (5 g) for external sliding parts,
GR-S-010 (10 g) for tube interior

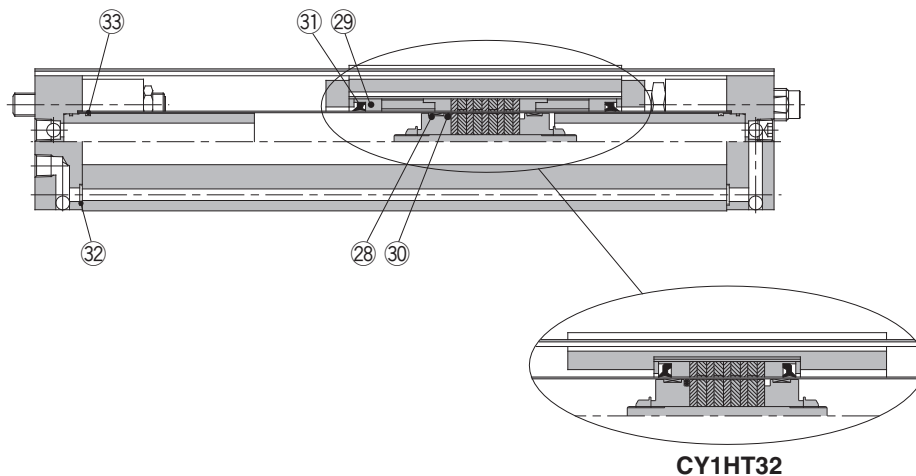
Grease pack part no. for $\phi 15$ to $\phi 25$: GR-S-010 (10 g)

Magnetically Coupled Rodless Cylinder/Linear Guide Type

Series *CY1H* Double Axis Type: $\varnothing 25, \varnothing 32$

Construction

Double axes type



* The numbers are the same as the "Construction" of the Best Pneumatics No.2 Series CY1H.

Seal Kit List

No.	Description	Material	Material
28	Wear ring A	Special resin	
29	Wear ring B	Special resin	
30	Piston seal	NBR	
31	Scraper	NBR	
32	O-ring	NBR	
33	O-ring	NBR	

Replacement Parts: Seal Kit

Bore size (mm)	Kit no.	Contents
25	CY1HT25-PS	Set of left nos.
32	CY1HT32-PS	28, 29, 30, 31, 32, 33

Note 1) Seal kit includes 28 to 33. Order the seal kit, based on each bore size.

* Seal kit includes a grease pack (10 g).

Order with the following part number when only the grease pack is needed.

Grease pack part no.: GR-S-010 (10 g)