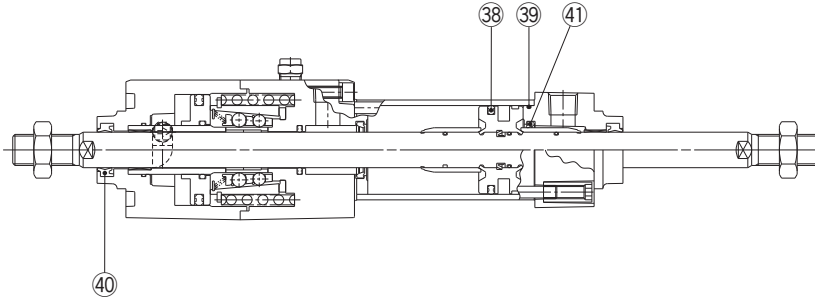


Series MNBW

ø32, ø40, ø50
ø63, ø80, ø100

Replacement
Procedure is
p.351

Construction



* The numbers are the same as the "Construction" of the Best Pneumatics No.3 Series MNBW.

Seal Kit List

No.	Description	Material	Note
38	Piston seal	NBR	
39	Cylinder tube gasket		
40	Rod seal A		
41	Cushion seal		

Replacement Parts: Seal Kit

Bore size (mm)	Kit no.	Contents
32	MBW32-PS	Set of left nos. 38, 39, 40, 41
40	MBW40-PS	
50	MBW50-PS	
63	MBW63-PS	
80	MBW80-PS	
100	MBW100-PS	

* As a general rule, the lock section of Series MNBW is replaced as a unit, and therefore, the replacement seal kits are for the cylinder section only. These can be ordered using the order number for each bore size.

* Seal kit includes a grease pack (ø32 to ø50: 10 g, ø63 and ø80: 20 g, ø100: 30g).

Order with the following part number when only the grease pack is needed.

Grease pack part no.: GR-S-010 (10 g), GR-S-020 (20 g)

Actuators

Modular F.R.L.
Pressure Control Equipment

Air Preparation
Equipment

Industrial Filters

Replacement
Procedure

Actuators

Modular F.R.L.
Pressure Control Equipment

Industrial Filters