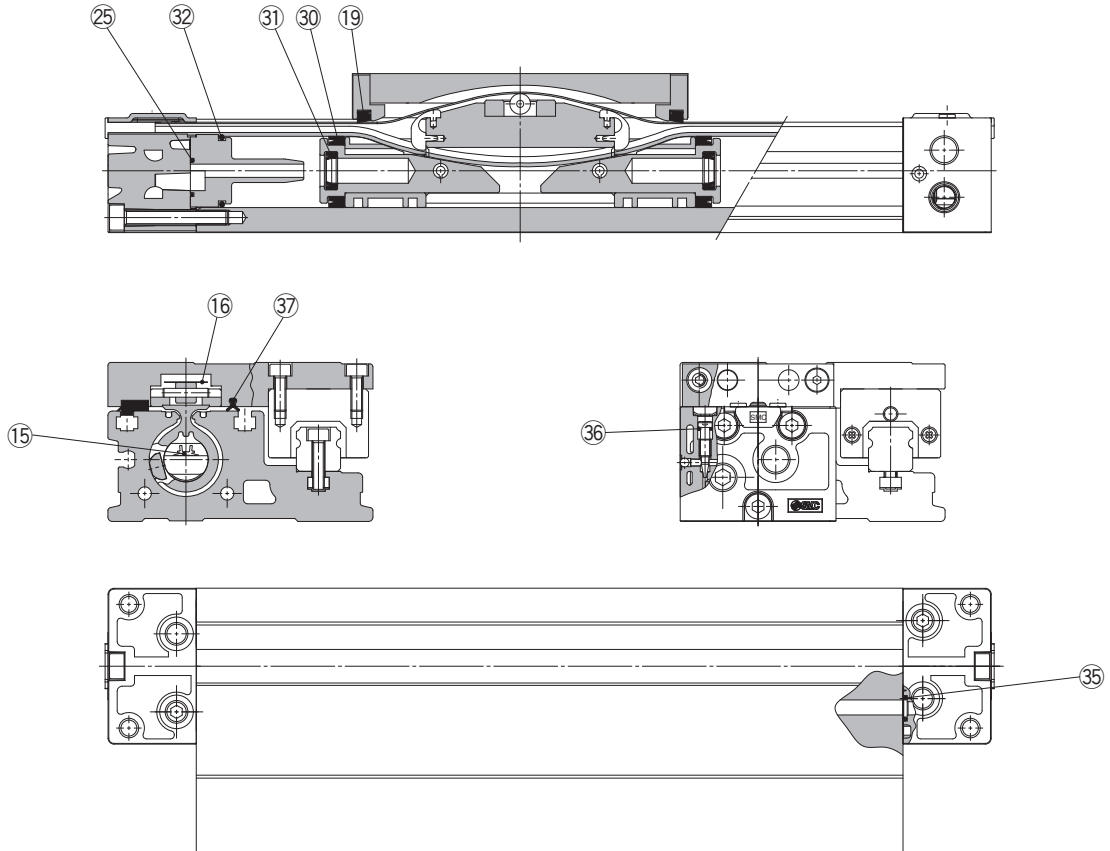


# Mechanically Jointed Rodless Cylinder/Linear Guide Type

## Series MY1H-□Z

ø25, ø32, ø40

### Construction



\* The numbers are the same as the "Construction" of the MY1H series catalog (CAT.ES20-221).

### Replacement Parts: Seal Kit (15, 16, 25, 36 and 37 are not included in the seal kit. Order them as required with by individual part numbers.)

No.	Description	Material	Qty.	MY1H25	MY1H32	MY1B40
15	Seal belt	Urethane/Polyamide	1	MY25-16C- <u>Stroke</u>	MY32-16C- <u>Stroke</u>	MY40-16A- <u>Stroke</u>
16	Dust seal band	Stainless steel	1	MY1B25-16B- <u>Stroke</u>	MY1B32-16B- <u>Stroke</u>	MY1B40-16B- <u>Stroke</u>
25	Cushion boss gasket	NBR	2	MYB25-16GA5900	MYB32-16GA5901	MYB40-16GA5902
36	O-ring	NBR	2	KA00311 (ø5.1 x ø3 x ø1.05)	KA00320 (ø7.15 x ø3.75 x ø1.7)	KA00320 ø7.15 x ø3.75 x ø1.7
37	Side scraper	Special resin	2	MYH25-15BK2902B	MYH32-15BK2903B	MYH40-15BK2904B
19	Scraper	NBR	2	MY1H25-PS	MY1H32-PS	MY1H40-PS
30	Piston seal	NBR	2			
31	Cushion seal	NBR	2			
32	Tube gasket	NBR	2			
35	O-ring	NBR	2			

\* Seal kit includes 19, 30, 31, 32 and 35. Order the seal kit based on each bore size.

\* Seal kit includes a grease pack (10 g).

When 15 and 16 are shipped independently, a grease pack is included. (10 g/1000 mm stroke)

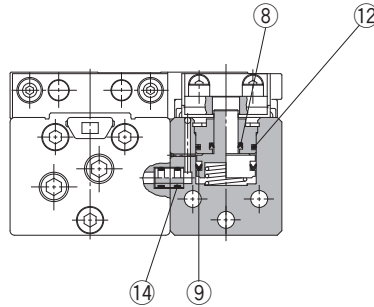
Order with the following part number when only the grease pack is needed.

Grease pack part no.: GR-S-010 (10 g), GR-S-020 (20 g)

# Series MY1H-□Z ø25, ø32, ø40

## Construction

With End Lock: ø25 to ø40



\* The numbers are the same as the "Construction" of the MY1H series catalog (CAT.ES20-221).

### Replacement Parts: Seal Kit

No.	Description	Material	Qty.	MY1H25	MY1H32	MY1H40
8	Rod seal	NBR	1	KB00267	KB00267	KB00267
9	Piston seal	NBR	1	KB00217	KB00217	KB00217
12	O-ring	NBR	1	KA00037	KA00037	KA00037
14	O-ring	NBR	2	KA00048	KA00048	KA00048

\* Since the seal kit does not include a grease pack, order it separately.

Grease pack part no.: GR-S-010 (10 g)