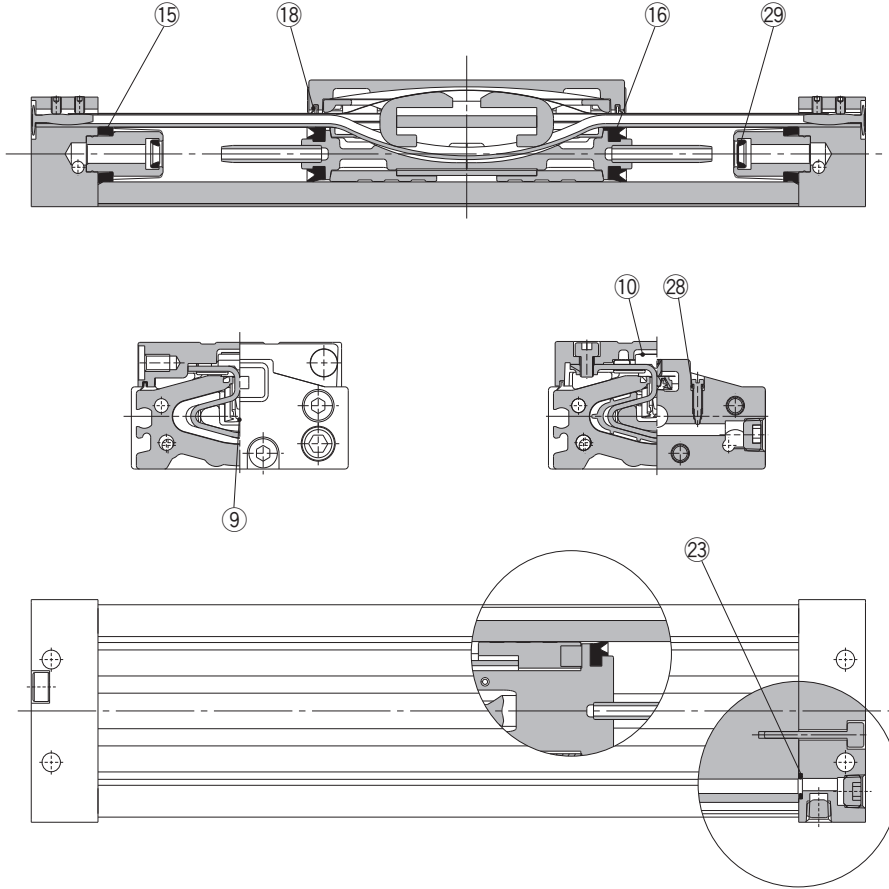


Series MY3B

ø16, ø25, ø40, ø63

Replacement
Procedure is
P.312

Construction



* The numbers are the same as the "Construction" of the MY3 series catalog (CAT.ES20-165).

Replacement Parts: Seal (Order them as required with by individual part numbers.)

| No. | Description | Material | Qty. | MY3B16 | MY3B25 | MY3B40 | MY3B63 |
|-----|----------------|-----------------|------|-------------------------------|-------------------------------|-----------------------------------|---------------------------------|
| 9 | Seal belt | Polyamide | 1 | MY3B16-16A-Stroke | MY3B25-16A-Stroke | MY3B40-16A-Stroke | MY3B63-16A-Stroke |
| 10 | Dust seal band | Stainless steel | 1 | MY3B16-16B-Stroke | MY3B25-16B-Stroke | MY3B40-16B-Stroke | MY3B63-16B-Stroke |
| 15 | Tube gasket | NBR | 2 | RMB-16 | RMB-25 | RMB-40 | RMB-63 |
| 16 | Piston seal | NBR | 2 | RMY-16 | RMY-25 | RMY-40 | RMY-63 |
| 18 | Scraper | Polyamide | 1 | MYA16-15-R6656 | MYA25-15-R6657 | MYA40-15-R6658 | MYA63-15-R6659 |
| 23 | O-ring | NBR | 4 | KA00020 (ø6.2 x ø3 x ø1.6) | KA00048 — | KA00156 (ø10.5 x ø8.5 x ø1) | KA00036 — |
| 28 | O-ring | NBR | 2 | KA00309 (ø4 x ø1.8 x ø1.1) | KA00309 (ø4 x ø1.8 x ø1.1) | KA00320 (ø7.15 x ø3.75 x ø1.7) | KA00402 (ø8.3 x ø4.5 x ø1.9) |
| 29 | Cushion seal | NBR | 2 | MCS-3 | MCS-5 | RCS-8 | RCS-12 |

* When ⑨ and ⑩ are shipped as single units, a grease pack is included (10 g per 1000 strokes).

Order with the following part number when only the grease pack is needed.

Grease pack part no.: GR-S-010 (10 g), GR-S-020 (20 g)

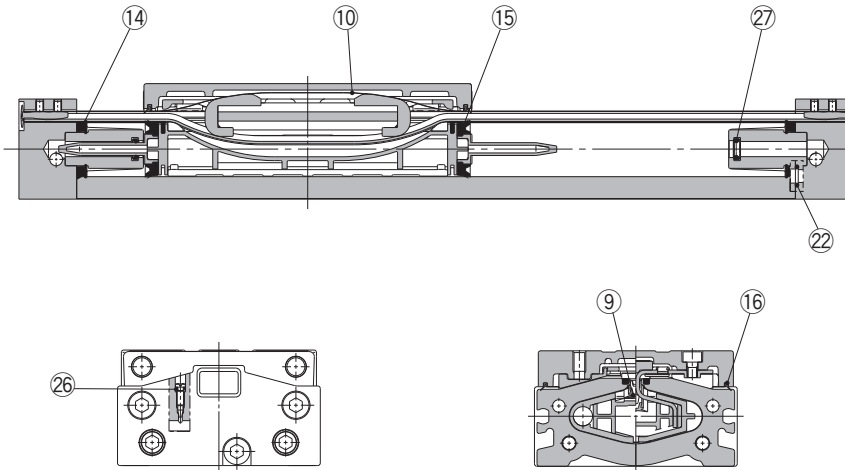
* For instructions on how to replace replacement parts/seals, refer to the operation manual.

Series MY3B

ø20, ø32, ø50



Construction



* The numbers are the same as the "Construction" of the MY3 series catalog (CAT.ES20-165).

Replacement Parts: Seal (Order them as required with by individual part numbers.)

| No. | Description | Material | Qty. | MY3B20 | MY3B32 | MY3B50 |
|-----|----------------|-----------------|------|-------------------------------|-------------------------------|-----------------------------------|
| 9 | Seal belt | Polyamide | 1 | MY3B20-16A-Stroke | MY3B32-16A-Stroke | MY3B50-16A-Stroke |
| 10 | Dust seal band | Stainless steel | 1 | MY3B20-16B-Stroke | MY3B32-16B-Stroke | MY3B50-16B-Stroke |
| 14 | Tube gasket | NBR | 2 | RMB-20 | RMB-32 | RMB-50 |
| 15 | Piston seal | NBR | 2 | RMY-20 | RMY-32 | RMY-50 |
| 16 | Scraper | Polyamide | 2 | MYA20-15-AC594 | MYA32-15-AC595 | MYA50-15-AC596 |
| 22 | O-ring | NBR | 4 | KA00048 | KA00050 | KA00035 |
| 26 | O-ring | NBR | 2 | KA00309 (ø4 x ø1.8 x ø1.1) | KA00309 (ø4 x ø1.8 x ø1.1) | KA00320 (ø7.15 x ø3.75 x ø1.7) |
| 27 | Cushion seal | NBR | 2 | MCS-3 | MCS-5 | RCS-8 |

* When ⑨ and ⑩ are shipped as single units, a grease pack is included (10 g per 1000 strokes).

Order with the following part number when only the grease pack is needed.

Grease pack part no.: GR-S-010 (10 g), GR-S-020 (20 g)

* For instructions on how to replace replacement parts/seals, refer to the operation manual.