

Pin Cylinders

Series CJP2/CJP

2 auto switches can even be mounted on a cylinder with $\varnothing 4$ bore size (5 mm stroke).



Double acting / **Series CJP2**

One-touch fitting can be connected.

(Panel mount type)

$\varnothing 2$ One-touch fitting, miniature fitting, and speed controller can be connected.



Single acting / **Series CJP**



CJ1

CJP

CJ2

CM2

CG1

MB

MB1

CA2

CS1

CS2

D-

-X

Individual
-X

Technical
data

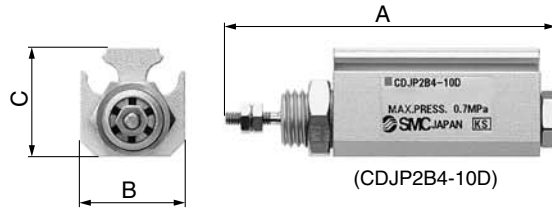
Small and Light

Double acting / **Series CJP2**

- Full length: Shortened by 6 to 9.5 mm
- Mass: Reduced by 55 to 65%

New aluminum body is light mass compared with the conventional CJP series.

(Compared with the basic model CJP cylinder without auto switch)



Dimensions

Unit: mm

Bore size	A	B	C
4	29 + stroke (34 + stroke)	14	14.5
6	33 + stroke (38 + stroke)	14	16.5
10	39.5 + stroke (44.5 + stroke)	15	19
16	43.5 + stroke (48.5 + stroke)	20	24.5

* () : Dimension for built-in magnet type

Mass

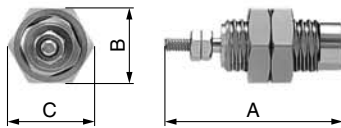
Unit: g

Stroke	Bore size (mm)			
	4	6	10	16
5	11	16	27	42
10	13	18	29	46
15	15	21	32	50
20	17	23	35	54
25	—	25	37	58
30	—	—	40	63
35	—	—	43	67
40	—	—	45	71

Single acting / **Series CJP**

Panel mount type (CJPB4-5)

Scale: 100%



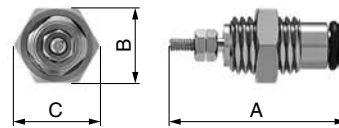
Dimensions

Unit: mm

Bore size	A			B	C
	5st	10st	15st		
4	23.5	31.5	39.5	10	11.5
6	27.5	34.5	41.5	12	13.9
10	32.5	39	46	19	22
15	37.5	43.5	50	27	31

Embedded type (CJPS4-5)

Scale: 100%



Mass

Unit: g

Stroke (mm)	Bore size (mm)			
	4	6	10	15
5	10	10.6	28	75
10	13	13.1	33	82
15	15	15.6	38	92

Variation

Series	Action	Bore size (mm)	Standard stroke (mm)	Mounting ^{Note 2)}	Series	Action	Bore size (mm)	Standard stroke (mm)	Mounting
CJP2	Double acting, Single rod	4	5, 10, 15 (20) ^{Note 1)}	Basic Flange Foot Clevis Trunnion	CJP	Single acting, Spring return	4	5, 10, 15	Panel mount type, Embedded type
		6	5, 10, 15, 20, 25				6	5, 10, 15	
		10	5, 10, 15, 20, 25, 30, 35, 40				10	5, 10, 15	
		16	5, 10, 15, 20, 25, 30, 35, 40				15	5, 10, 15	

Note 1) A stroke of 20 is available with a standard product only. Note 2) Bore size of $\phi 4$ is available with basic mounting only.

Related Products

Refer to Best Pneumatics No. 6.



Pin Cylinder: Double Acting, Single Rod

Series CJP2

ø4, ø6, ø10, ø16

How to Order

Standard CJP2 **F** **10** - **15** **D** - [] - []

Built-in magnet CDJP2 **F** **10** - **15** **D** - [] - **M9BW** **S** - []

With auto switch
(Built-in magnet)

Mounting

Symbol	Mounting	Standard	Built-in magnet
B	Basic	●	●
F	Flange	●	●
L	Foot	●	●
D	Clevis	●	●
T	Trunnion	●	●

* Bore size of 4 mm is available with basic mounting only.
* Mounting bracket is shipped together (but not assembled).

Bore size

4	4 mm
6	6 mm
10	10 mm
16	16 mm

Cylinder standard stroke (mm)

ø4	5, 10, 15, (20) <small>Note</small>
ø6	5, 10, 15, 20, 25
ø10, ø16	5, 10, 15, 20, 25, 30, 35, 40

Note) A stroke of 20 is available with a standard product only.

Double acting

Auto switch

Nil	Without auto switch
-----	---------------------

* For the applicable auto switch model, refer to the below table.

Number of auto switches

Nil	2 pcs.
S	1 pc.

Rod end thread

Nil	With thread
B	Without thread

Built-in Magnet Cylinder Model

If a built-in magnet cylinder without an auto switch is required, there is no need to enter the symbol for the auto switch.
(Example) CDJP2B6-20

Made to Order
(Refer to page 24.)

CJ1
CJP
CJ2
CM2
CG1
MB
MB1
CA2
CS1
CS2

Applicable Auto Switches / For detailed auto switch specifications, refer to page 1263 through to 1371.

Type	Special function	Electrical entry	Indicator light	Wiring (Output)	Load voltage		Auto switch model		Lead wire length (m)*				Pre-wired connector	Applicable load			
					DC	AC	Electrical entry direction		0.5 (Nil)	1 (M)	3 (L)	5 (Z)		IC circuit	Relay, PLC		
							Perpendicular	In-line									
Solid state switch	Diagnostic indication (2-color)	Grommet	Yes	3-wire (NPN)	24 V	5 V, 12 V	—	M9NV	M9N	●	●	●	○	○	IC circuit	Relay, PLC	
				3-wire (PNP)				M9PV	M9P	●	●	●	○	○			
				2-wire				M9BV	M9B	●	●	●	○	○			—
				3-wire (NPN)				M9NWV	M9NW	●	●	●	○	○			IC circuit
				3-wire (PNP)				M9PWV	M9PW	●	●	●	○	○			IC circuit
				2-wire				M9BWW	M9BW	●	●	●	○	○			—
Feed switch	—	Grommet	Yes	3-wire (NPN equiv.)	—	5 V	—	A96V**	A96**	●	—	●	—	—	IC circuit	—	
				2-wire	24 V	12 V	100 V	A93V**	A93**	●	—	●	—	—	—	—	Relay, PLC
						5 V, 12 V	100 V or less	A90V**	A90**	●	—	●	—	—	IC circuit		

* Lead wire length symbols: 0.5 m Nil (Example) M9NW
1 m M M9NWM
3 m L M9NWL
5 m Z M9NWX

** The D-A9□(V) switch is not attachable to ø4.

* Auto switches marked with "○" are made to order specification.
* For details about auto switches with pre-wired connector, refer to pages 1328 to 1329.
* Auto switches are shipped together, (but not assembled).

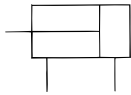
D-□
-X□
Individual
-X□
Technical
data

Series CJP2



JIS Symbol

Double acting, Single rod



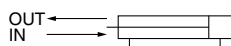
Made to Order

(For details, refer to pages 1373 to 1498 and 1502.)

Symbol	Specifications
XA □	Change of rod end style
XB6	Heat resistant cylinder (150°C)
XB7	Cold resistant cylinder
XC22	Fluororubber seals
X1666	Interchangeability of clevis and trunnion types

Theoretical Output

Bore size (mm)	Operating direction	Operating pressure (MPa)		
		0.3	0.5	0.7
4	IN	2.8	4.7	6.6
	OUT	3.8	6.3	8.8
6	IN	6.4	10.6	14.8
	OUT	8.5	14.1	19.8
10	IN	19.8	33.0	46.2
	OUT	23.6	39.3	55.0
16	IN	51.8	86.4	121.0
	OUT	60.3	100.5	140.7



Specifications

Action	Double acting, Single rod	
Maximum operating pressure	0.7 MPa	
Minimum operating pressure	ø4	0.15 MPa
	ø6	0.12 MPa
	ø10, ø16	0.06 MPa
Proof pressure	1 MPa	
Ambient and fluid temperature	Without auto switch: -10 to 70°C With auto switch: -10 to 60°C (No freezing)	
Lubrication	Not required (Non-lube)	
Stroke length tolerance	+1.0 0	
Rod end style	With thread/Without thread	
Piston speed	10 to 500 mm/s*	
Cushion	Rubber bumper	
Mounting (Note)	Basic, Flange, Foot, Clevis, Trunnion	

Note) Bore size of ø4 is available with basic mounting only. The piston speed for a bore size of ø4 is 50 to 500 mm/s.

Standard Equipment Accessory

Accessory	Mounting nut (1 pc.)	Rod end nut (2 pcs.) (with thread)	Trunnion (with pin)
Mounting			
Basic	●	●	—
Flange	●	●	—
Foot	●	●	—
Clevis	—	●	—
Trunnion	—	●	●

Standard Stroke

Bore size (mm)	Stroke (mm)
4	5, 10, 15, 20 (Note)
6	5, 10, 15, 20, 25
10	5, 10, 15, 20, 25, 30, 35, 40
16	5, 10, 15, 20, 25, 30, 35, 40

* 20 stroke of bore size 4 mm is standard type only.

Option

Bore size (mm)	6	10	16
Description			
Auto switch	D-A9□(V), D-M9□(V), D-M9□W(V)		
Single knuckle joint	I-P006A	I-P010A	I-P016A
Double knuckle joint (with pin)	Y-P006A	Y-P010A	Y-P016A

Mounting Bracket Part No.

Bore size (mm)	6	10	16
Bracket			
Flange	CP-F006A	CP-F010A	CP-F016A
Foot	CP-L006A	CP-L010A	CP-L016A
Trunnion (with pin)	CP-T006A	CP-T010A	CP-T016A

Mass

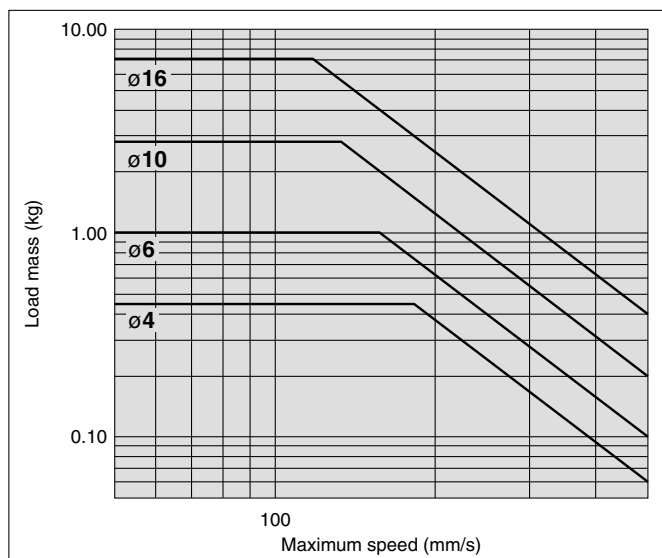
Stroke (mm)	Mounting	Bore size (mm)			
		4	6	10	16
Basic mass	5	11	16	27	42
	10	13	18	29	46
	15	15	21	32	50
	20	17	23	35	54
	25	—	25	37	58
	30	—	—	40	63
	35	—	—	43	67
	40	—	—	45	71
Bracket mass	Flange	—	5	6	16
	Foot	—	7	9	24
	Clevis	—	2	5	8
	Trunnion (with pin)	—	15	25	70
Additional mass for built-in magnet		2	3	5	7

Allowable Kinetic Energy

⚠ Caution

When driving an inertial load, operate a cylinder with kinetic energy within the allowable value. The range in the chart below that is delineated by bold solid lines indicates the relation between load mass and maximum driving speeds.

Bore size (mm)	4	6	10	16
Piston speed (m/s)	0.05 to 0.5			
Allowable kinetic energy (J)	0.75×10^{-2}	1.2×10^{-2}	2.5×10^{-2}	5.0×10^{-2}



CJ1

CJP

CJ2

CM2

CG1

MB

MB1

CA2

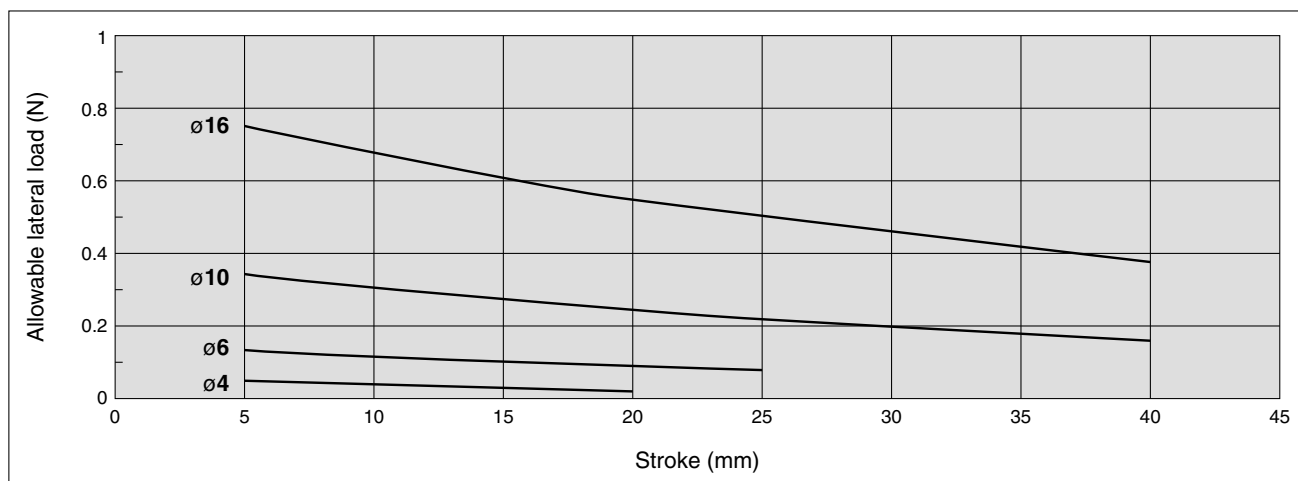
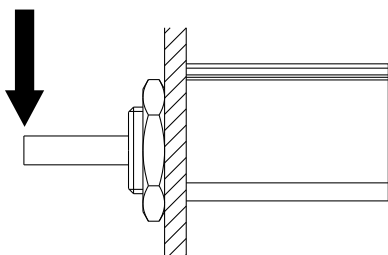
CS1

CS2

Allowable Lateral Load

Strictly observe the limiting range of lateral load on a piston rod. (Refer to the below graph.) If this product is used beyond the limits, it may shorten the machine life or cause damage.

Allowable lateral load



D-□

-X□

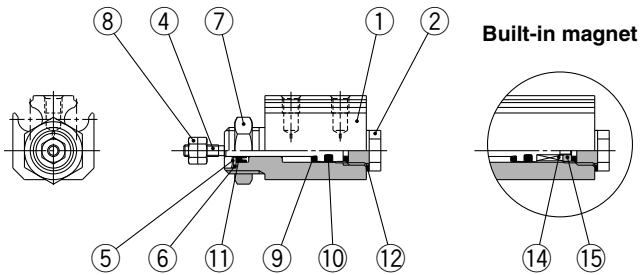
Individual
-X□

Technical
data

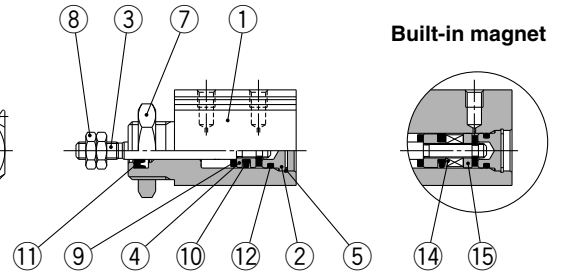
Series CJP2

Construction

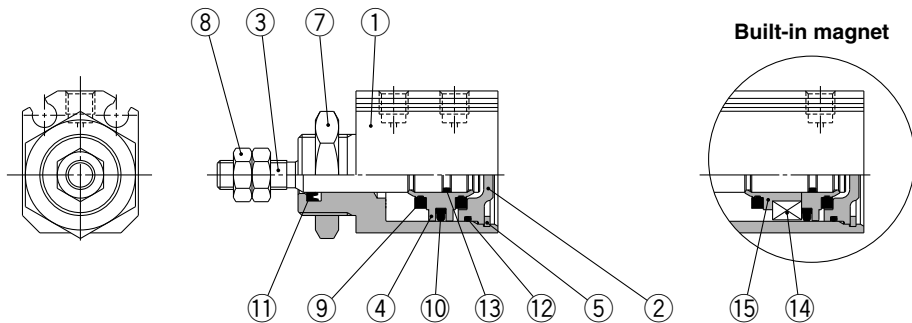
C□JP2B4



C□JP2B6



C□JP2B10, 16



Component Parts

No.	Description	Material	Note
1	Body	Aluminum alloy	Hard anodized
2	Head cover	ø4, ø6, ø10	Brass Electroless nickel plated
		ø16	Aluminum alloy Chromated
3	Piston rod	Stainless steel	
4	Piston	ø4	Stainless steel
		ø6, ø10	Brass
		ø16	Aluminum alloy Chromated
5	Retaining ring	Tool steel	Phosphate coating
6	Seal retainer	Special steel	Nickel plated
7	Mounting nut	Brass	Electroless nickel plated
8	Rod end nut	Steel	Nickel plated
9	Bumper	Urethane rubber	
10	Piston seal	NBR	
11	Rod seal	NBR	
12	Gasket	ø4	Stainless steel + NBR
		ø6, ø10, ø16	NBR
13	Piston gasket	NBR	
14	Magnet	—	
15	Magnet retainer	ø4, ø6, ø10	Brass
		ø16	Aluminum alloy Chromated

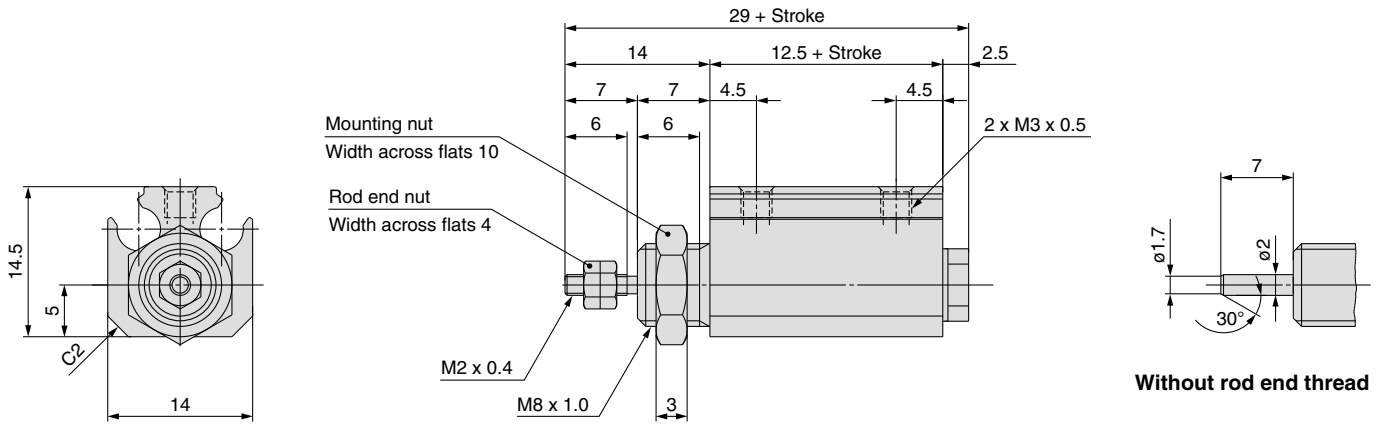
Replacement Parts: Seal Kit

Bore size (mm)	Kit no.	Contents
6	CJP2B6D-PS	Set of nos. above ⑩, ⑪, ⑫.
10	CJP2B10D-PS	
16	CJP2B16D-PS	

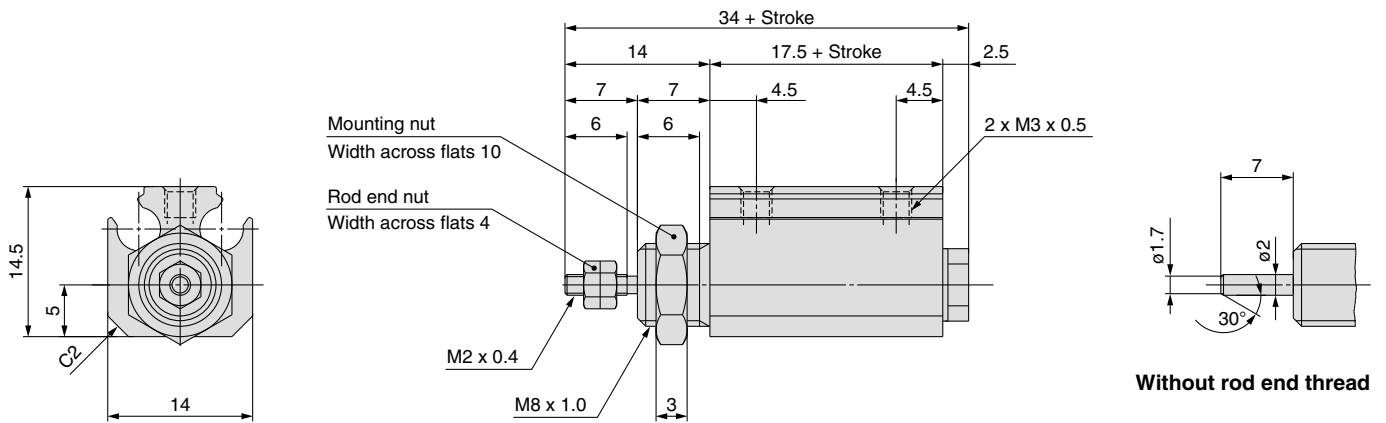
* Seal kit includes a grease pack (5 g).
Order with the following part number when only the grease pack is needed.
Grease pack part number: GR-S-005 (5g)

Dimensions: Basic Mounting (ø4)

Standard: CJP2B4



Built-in magnet: CDJP2B4



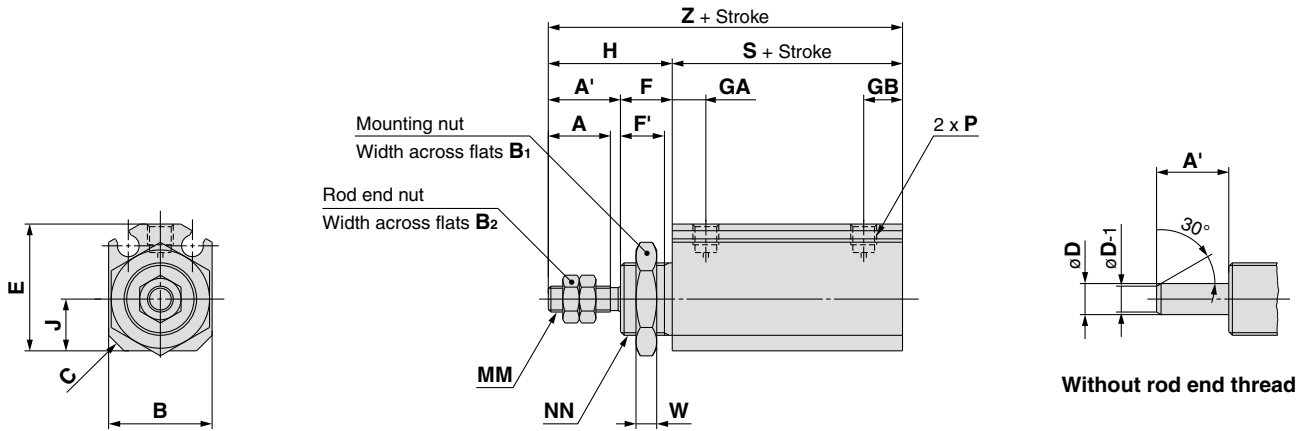
- CJ1**
- CJP**
- CJ2**
- CM2**
- CG1**
- MB**
- MB1**
- CA2**
- CS1**
- CS2**

- D-□**
- X□**
- Individual
-X□
- Technical
data

Series CJP2

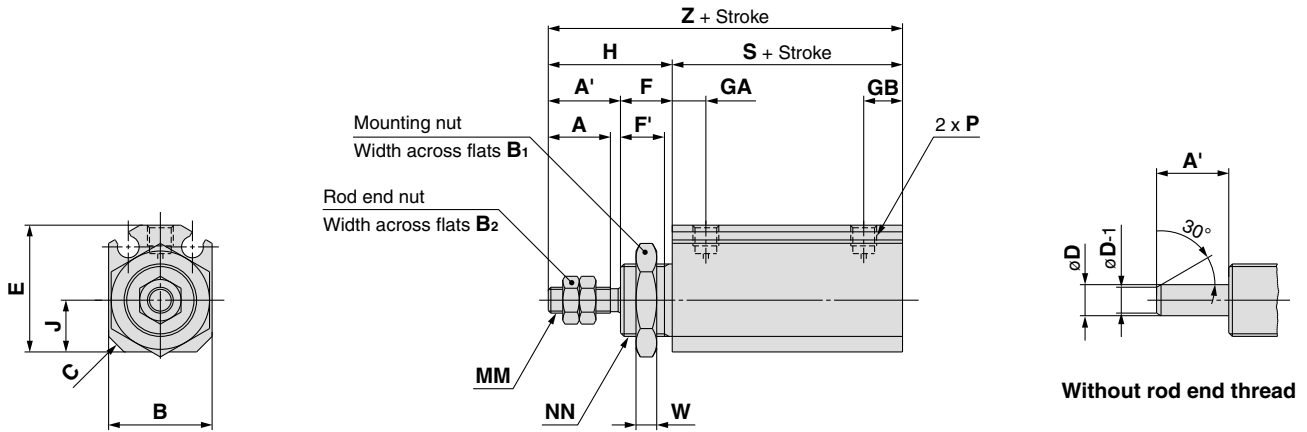
Dimensions: Basic Mounting (ø6 to ø16)

Standard: CJP2B6 to 16



Symbol	A	A'	B	B ₁	B ₂	C	D	E	F	F'	GA	GB	H	J	MM	NN	P	S	W	Z
6	7	9	14	14	5.5	2	3	16.5	8	6.5	5.5	6.5	17	6	M3 x 0.5	M10 x 1.0	M3 x 0.5	16	3	33
10	10	12	15	17	7	2.5	4	19	8	6.5	6	7	20	7	M4 x 0.7	M12 x 1.0	M3 x 0.5	19.5	3	39.5
16	12	14	20	19	8	3	6	24.5	10	8.5	6.5	7.5	24	10	M5 x 0.8	M14 x 1.0	M5 x 0.8	19.5	4	43.5

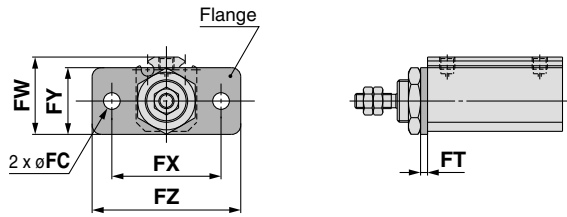
Built-in magnet: CDJP2B6 to 16



Symbol	A	A'	B	B ₁	B ₂	C	D	E	F	F'	GA	GB	H	J	MM	NN	P	S	W	Z
6	7	9	14	14	5.5	2	3	16.5	8	6.5	5.5	6.5	17	6	M3 x 0.5	M10 x 1.0	M3 x 0.5	21	3	38
10	10	12	15	17	7	2.5	4	19	8	6.5	6	7	20	7	M4 x 0.7	M12 x 1.0	M3 x 0.5	24.5	3	44.5
16	12	14	20	19	8	3	6	24.5	10	8.5	6.5	7.5	24	10	M5 x 0.8	M14 x 1.0	M5 x 0.8	24.5	4	48.5

Mounting Bracket Dimensions

Flange: C(D)JP2F6 to 16

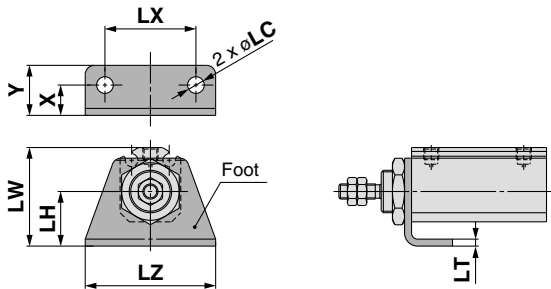


Flange

		(mm)					
Symbol		FC	FT	FW	FX	FY	FZ
Bore size	6	3.4	1.6	18.5	24	16	32
	10	4.5	1.6	21	28	18	37
	16	5.5	2.3	25.5	36	22	49

* Other dimensions are the same as basic mounting.

Foot: C(D)JP2L6 to 16

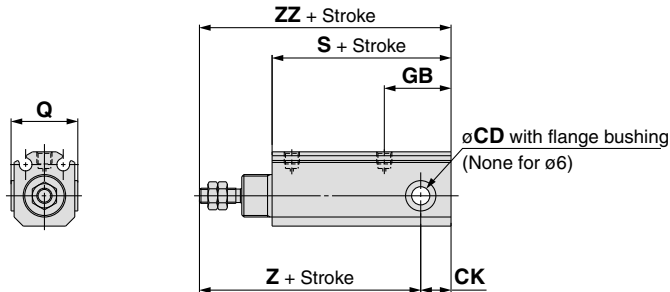


Foot

		(mm)							
Symbol		X	Y	LC	LH	LT	LW	LX	LZ
Bore size	6	6.5	10.5	3.4	11	1.6	21.5	20	28
	10	7	12	4.5	13	1.6	25	24	33
	16	10	16.5	5.5	18	2.3	32.5	30	43

* Other dimensions are the same as basic mounting.

Clevis: C(D)JP2D6 to 16

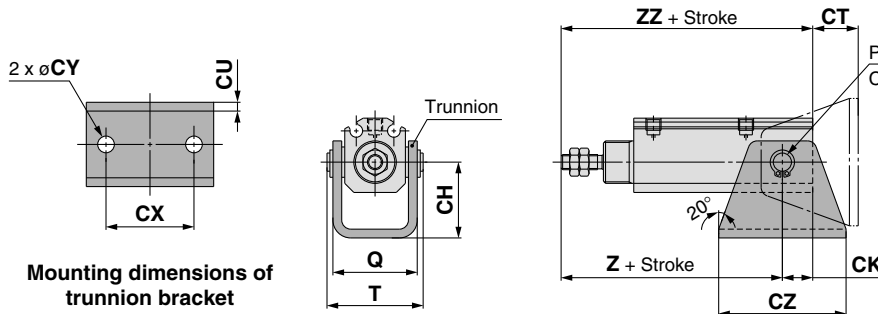


Clevis

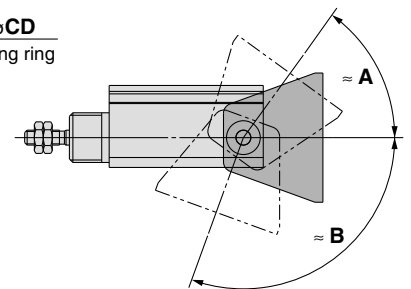
		(mm)			
Symbol		CD	CK	GB	Q
Bore size	6	$3^{+0.040}_0$	4	11.5	—
	10	$5^{+0.065}_0$	6.5	18	$17^{0}_{-0.5}$
	16	$6^{+0.065}_0$	10	22	$22^{0}_{-0.5}$

		S		Z		ZZ	
Symbol		Without magnet	Built-in magnet	Without magnet	Built-in magnet	Without magnet	Built-in magnet
Bore size	6	21	26	34	39	38	43
	10	30.5	35.5	44	49	50.5	55.5
	16	34	39	48	53	58	63

Trunnion: C(D)JP2T6 to 16



Rotation angle



Trunnion

		(mm)													
Symbol		CD	CH	CK	CT	CU	CX	CY	CZ	Q	T	Z		ZZ	
Bore size												Without magnet	Built-in magnet	Without magnet	Built-in magnet
	6	3	16	4	12	1.6	18	3.4	26	18.5	20.4	34	39	38	43
	10	5	20	6.5	13.5	1.6	24	4.5	33	20.5	23.9	44	49	50.5	55.5
	16	6	25	10	15	2.9	29	5.5	42	28	31.7	48	53	58	63

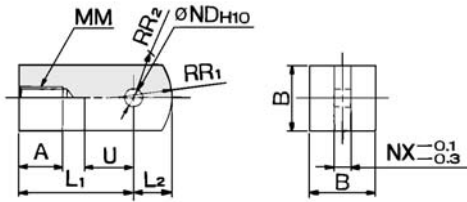
Applicable bore	ø6	ø10	ø16
≈ A	54°	62°	55°
≈ B	110°	110°	102°

* Provided as guidelines.
The values are varied depending on the condition.

Series CJP2

Accessory Bracket Dimensions

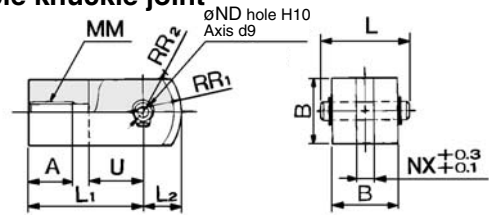
Single knuckle joint



Material: Rolled steel

Part no.	Applicable bore size (mm)	A	B	L ₁	L ₂	MM	ND _{H10}	NX	R ₁	R ₂	U
I-P006A	6	5	6	12	3.5	M3 x 0.5	3 ^{+0.040} ₀	3	5	4	5
I-P010A	10	6.5	10	16	5.5	M4 x 0.7	5 ^{+0.048} ₀	5	8	6.3	7
I-P016A	16	7	12	19	7	M5 x 0.8	6 ^{+0.048} ₀	6	10	7.8	9

Double knuckle joint

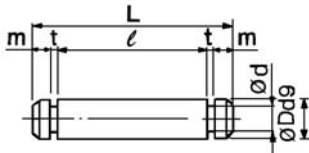


Material: Rolled steel

* Knuckle pin and retaining ring are included.

Part no.	Applicable bore size (mm)	A	B	L	L ₁	L ₂	MM	ND _{d9}	ND _{H10}	NX	R ₁	R ₂	U
Y-P006A	6	5	6	9	12	3.5	M3 x 0.5	3 ^{-0.020} _{-0.045}	3 ^{+0.040} ₀	3	5	4	5
Y-P010A	10	6.5	10	13.6	16	5.5	M4 x 0.7	5 ^{-0.030} _{-0.060}	5 ^{+0.048} ₀	5	8	6.3	7
Y-P016A	16	7	12	15.8	19	7	M5 x 0.8	6 ^{-0.030} _{-0.060}	6 ^{+0.048} ₀	6	10	7.8	9

Knuckle pin

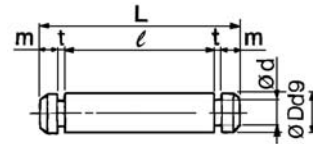


Material: Stainless steel

Part no.	Applicable bore size (mm)	D d9	L	d	ℓ	m	t	Retaining* ring
IY-P006	6	3 ^{-0.020} _{-0.045}	9	2.85	6.2	0.75	0.65	Clip C-type 3
IY-P010	10	5 ^{-0.030} _{-0.060}	13.6	4.8	10.2	1	0.7	C-type 5
IY-P015	16	6 ^{-0.030} _{-0.060}	15.8	5.7	12.2	1	0.8	C-type 6

* Included

Trunnion pin

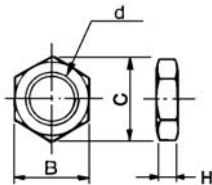


Material: Stainless steel

Part no.	Applicable bore size (mm)	D d9	L	d	ℓ	m	t	Retaining* ring
CT-P006	6	3 ^{-0.020} _{-0.045}	20.4	2.85	17.6	0.75	0.65	Clip C-type 3
CT-P010	10	5 ^{-0.030} _{-0.060}	23.9	4.8	20.5	1	0.7	C-type 5
CT-P015	16	6 ^{-0.030} _{-0.060}	31.7	5.7	28.1	1	0.8	C-type 6

* Included

Mounting nut

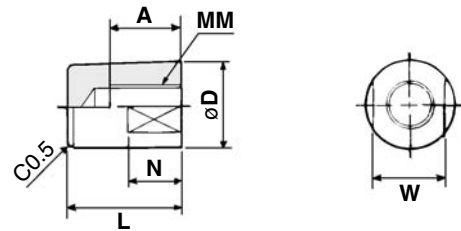


Material: Brass

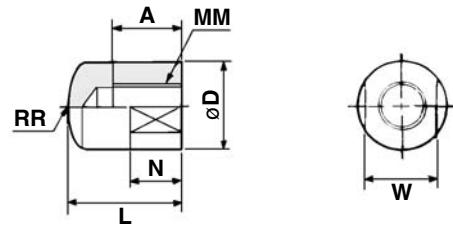
Part no.	Applicable bore size (mm)	d	H	B	C
SNPS-004	4	M8 x 1.0	3	10	11.5
SNP-006	6	M10 x 1.0	3	14	16.2
SNP-010	10	M12 x 1.0	3	17	19.6
SNP-015	16	M14 x 1.0	4	19	21.9

Rod end cap

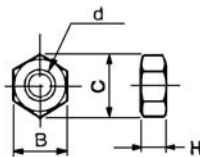
Flat type: CJ-CF□□□



Round type: CJ-CR□□□



Rod end nut



Material: Iron

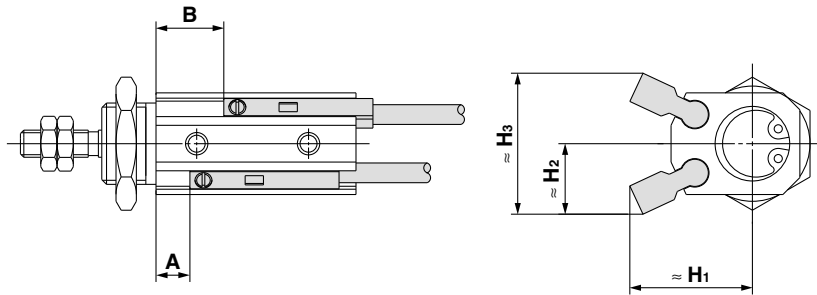
Part no.	Applicable bore size (mm)	d	H	B	C
NTJ-004	4	M2 x 0.4	1.6	4	4.6
NTP-006	6	M3 x 0.5	1.8	5.5	6.4
NTP-010	10	M4 x 0.7	2.4	7	8.1
NTP-015	16	M5 x 0.8	3.2	8	9.2

Material: Polyacetal

Part no.		Applicable bore size (mm)	A	D	L	MM	N	RR	W
Flat type	Round type								
CJ-CF004	CJ-CR004	4	5	6	9	M2 x 0.4	3	6	5
CJ-CF006	CJ-CR006	6	6	8	11	M3 x 0.5	5	8	6
CJ-CF010	CJ-CR010	10	8	10	13	M4 x 0.7	6	10	8
CJ-CF016	CJ-CR016	16	10	12	15	M5 x 0.8	7	12	10

Auto Switch Proper Mounting Position (Detection at Stroke End) and Its Mounting Height

D-A9□(V), D-M9□(V), D-M9□WV



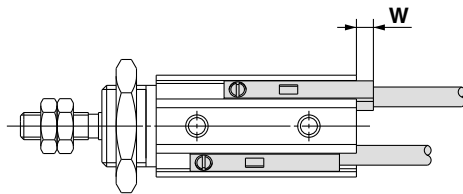
Applicable Auto Switches: D-A9□, D-A9□V

Bore size	A (When detecting at extended stroke end position)	B (When detecting at retracted stroke end position)								H ₁	H ₂	H ₃
		5 st	10 st	15 st	20 st	25 st	30 st	35 st	40 st			
ø4	—	—	—	—	—	—	—	—	—	—	—	—
ø6	1	6	11	16	21	26	—	—	—	13	10	20
ø10	1	6	11	16	21	26	31	36	41	16	9.5	19
ø16	1	6	11	16	21	26	31	36	41	18	12	24

Applicable Auto Switches: D-M9□, D-M9□V, D-M9□W, D-M9□WV

Bore size	A (When detecting at extended stroke end position)	B (When detecting at retracted stroke end position)								H ₁	H ₂	H ₃
		5 st	10 st	15 st	20 st	25 st	30 st	35 st	40 st			
ø4	4	9	14	19	—	—	—	—	—	14.5	11.5	23
ø6	5	10	15	20	25	30	—	—	—	15	11.5	23
ø10	5	10	15	20	25	30	35	40	45	18	10.5	21
ø16	5	10	15	20	25	30	35	40	45	20	13	26

Note) Only adjust the setting position after confirming the auto switch is properly activated.



Mounting: Basic, Flange, Foot

Auto switch model	W (mm)			
	D-M9□ D-M9□W	D-M9□V D-M9□WV	D-A90 D-A96 D-A9□V	D-A93
Bore size	W			
ø4	6	4	—	—
ø6	6	4	2	4.5
ø10	2.5	0.5	0	1
ø16	2.5	0.5	0	1

Mounting: Clevis, Trunnion

Auto switch model	W (mm)	
	D-M9□ D-M9□W	D-M9□V D-M9□WV D-A9□ D-A9□V
Bore size	W	
ø4	—	—
ø6	1	0
ø10	0	0
ø16	0	0

* 0 (zero) denotes the switch does not protrude from the end surface.

Note) Adjust the auto switch after confirming the operating conditions in the actual setting.

CJ1

CJP

CJ2

CM2

CG1

MB

MB1

CA2

CS1

CS2

D-□

-X□

Individual
-X□

Technical
data

Series CJP2

Operating Range

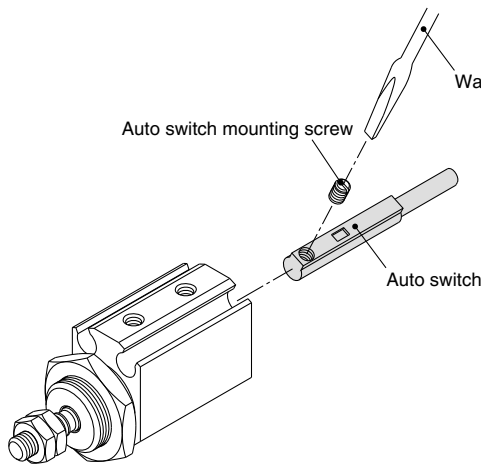
Auto switch model	Bore size (mm)			
	4	6	10	16
D-A9□(V)	—	5	6	7
D-M9□(V) D-M9□W(V)	2.5	2.5	3	3.5

* Since the operating range is provided as a guideline including hysteresis, it cannot be guaranteed (assuming approximately ±30% dispersion). It may vary substantially depending on an ambient environment.

Minimum Stroke for Auto Switch Mounting

No. of auto switches mounted	Applicable auto switch model (mm)	
	D-M9□, D-M9□V	D-M9□W, D-M9□WV D-A9□, D-A9□V
1	5	5
2	5	10

Mounting and Moving Auto Switches



- ① Fit an auto switch into the auto switch mounting groove to set it roughly to the mounting position for an auto switch.
- ② After reconfirming the detecting position, tighten the auto switch mounting screw* to secure the auto switch.
- ③ Modification of the detecting position should be made in the condition of ①.

* When tightening an auto switch mounting screw, use a watchmaker's screwdriver with a handle of approximately 5 to 6 mm in diameter.
(Use a tightening torque of approximately 0.10 to 0.20 N·m.)

Tightening torque for auto switch mounting screw (N·m)

Auto switch model	Tightening torque
D-A9□(V)	0.10 to 0.20
D-M9□(V) D-M9□W(V)	0.05 to 0.15

⚠ Specific Product Precautions

Before handling auto switches, refer to pages 8 to 11 for Auto Switches Precautions.

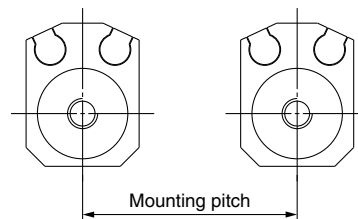
⚠ Caution

1. If auto switch cylinders are used in parallel, keep the distance between cylinders in accordance with the below chart.

Mounting Pitch (mm)

Auto switch model	Bore size (mm)			
	4	6	10	16
D-A9□(V)	—	20	25	30
D-M9□(V) D-M9□W(V)	25	25	30	35

Use caution not to use them, getting closer than the specified pitch. Otherwise, it may cause auto switch to malfunction.





Series CJP2 Specific Product Precautions

Be sure to read before handling. Please consult with SMC for the use other than the specifications.

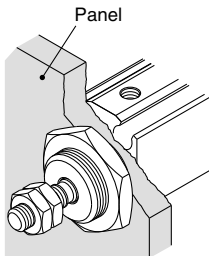
Mounting

⚠ Caution

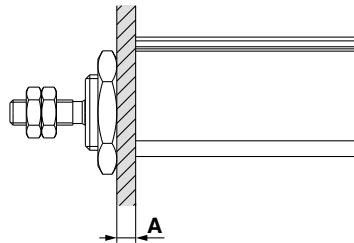
Mounting nut maximum tightening torque and panel width

- ① Do not apply more torque than the maximum torque range when mounting the cylinder or bracket. Also, do not attach a panel with a thickness beyond the specified range.

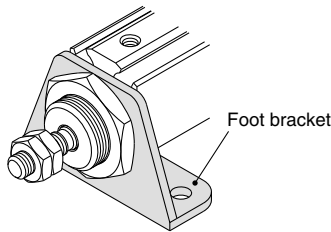
Cylinder bore size	Thread	Maximum tightening torque (N·m)	A dimension maximum value (mm)
ø4	M8 x 1	6.2	3
ø6	M10 x 1	12.5	4
ø10	M12 x 1	21.0	4
ø16	M14 x 1	34.0	5



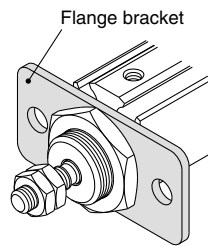
Panel mounting



Panel maximum thickness



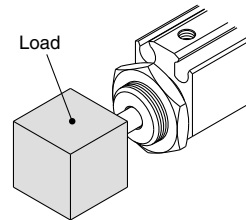
Foot mounting



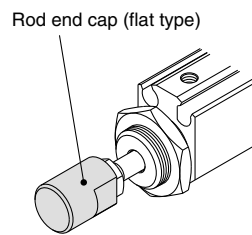
Flange mounting

- ② Do not apply more tightening torque than the below specified range when attaching a load on the rod end, rod end cap, single or double knuckle joint.

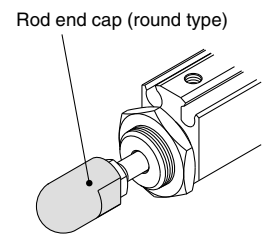
Applicable bore size	Thread size	Maximum tightening torque (N·m)
ø4	M2 x 0.4	0.1
ø6	M3 x 0.5	0.3
ø10	M4 x 0.7	0.8
ø16	M5 x 0.8	1.6



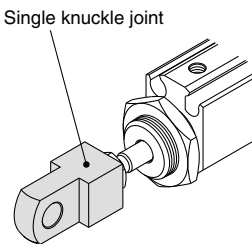
Rod end load mounting



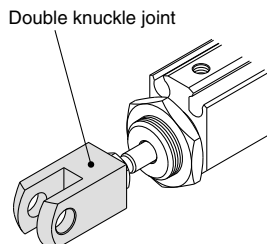
Rod end cap (flat type) mounting



Rod end cap (round type) mounting



Single knuckle joint mounting



Double knuckle joint mounting

Disassembly and Maintenance

⚠ Caution

Snap ring installation / removal

- To replace seals or grease the cylinder during maintenance, use an appropriate pair of pliers (tool for installing a C-type retaining ring for hole).
After re-installing the cylinder, make sure that the retaining ring is placed securely in the groove before supplying air.
- To remove and install the retaining ring for the knuckle pin or the trunnion pin, use an appropriate pair of pliers (tool for installing a C-type retaining ring for hole). In particular, use a pair of ultra-mini pliers, for removing and installing the retaining rings on the ø6 cylinder.
Do not disassemble the CJP4 cylinder. Do not loosen or remove the head cover.

CJ1

CJP

CJ2

CM2

CG1

MB

MB1

CA2

CS1

CS2

D-□

-X□

Individual

-X□

Technical

data

Pin Cylinder: Single Acting, Spring Return

Series CJP

ø4, ø6, ø10, ø15

A short stroke miniature cylinder with a shorter overall length.

The installation space can be significantly reduced because this cylinder can be recessed directly into a machine body or installed on a panel. Thus, the machine can be made more compact.

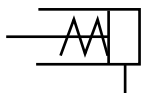


Embedded type

Panel mount type

JIS Symbol

Single acting, Spring return

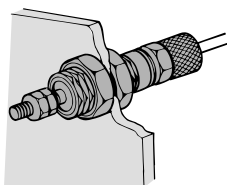


Made to Order (ø6 to ø15)
(For details, refer to page 1459, 1462.)

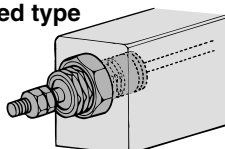
Symbol	Specifications
XC17	Pin cylinder with rod quenched
XC22	Fluororubber seals

Mounting

Panel mount type



Embedded type



How to Order

CJP B 10 - 15 H4 - [] []

Pin cylinder

Mounting

B	Panel mount type
S	Embedded type

Bore size

4	4 mm
6	6 mm
10	10 mm
15	15 mm

Cylinder standard stroke (mm)

ø4, ø6, ø10, ø15	5, 10, 15
------------------	-----------

Made to Order
Refer to the table below.

Rod end thread

Nil	With thread
B	Without thread

Hose nipple
(Applicable to the mounting type B panel mount type (ø6 to ø15) only.)
(Hose nipple is not attached to embedded style.)

Nil	Without hose nipple *
H4	For ø4/ø2.5 tubing
H6	For ø6/ø4 tubing

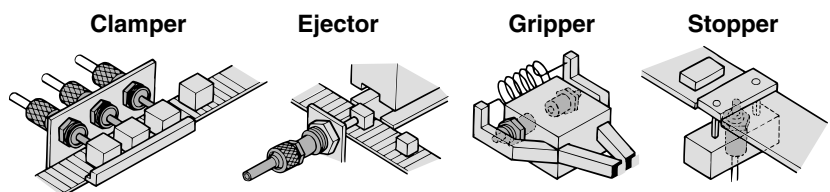
* Refer to caution on piping on page 38.

Specifications

Action	Single acting, Spring return	
Maximum operating pressure	0.7 MPa	
Minimum operating pressure	ø4	0.3 MPa
	ø6	0.2 MPa
	ø10, ø15	0.15 MPa
Proof pressure	1 MPa	
Ambient and fluid temperature	-10 to 70°C (No freezing)	
Lubrication	Not required (Non-lube)	
Piston speed	50 to 500 mm/s	
Cushion	None	
Stroke length tolerance	+1.0 0	
Rod end style	With thread/Without thread	
Mounting	Panel mount type	Embedded type
Accessory (Standard equipment)	Standard equipment	Mounting nut (2) Rod end nut (2) *
	Option	Hose nipple (Except ø4)
		Mounting nut (1) Gasket (1) Rod end nut (2) *

* When rod end is threaded.

Application Examples



Pin Cylinder: Single Acting, Spring Return *Series CJP*

Standard Stroke

Bore size (mm)	Stroke (mm)
4	5, 10, 15
6	5, 10, 15
10	5, 10, 15
15	5, 10, 15

Mass

(g)

Model	Stroke (mm)		
	5	10	15
CJP□4	10	13	15
CJP□6	10.6	13.1	15.6
CJP□10	28	33	38
CJP□15	72	82	92

* Mass of hose nipple (4 g) for panel mounting is excluded.

Theoretical Output

(N)

Bore size (mm)	Operating direction	Operating pressure (MPa)		
		0.3	0.5	0.7
4	OUT	0.97	3.48	6.00
	IN	1.0		
6	OUT	4.56	10.2	15.9
	IN	1.42		
10	OUT	17.6	33.3	49.0
	IN	2.45		
15	OUT	42.2	77.5	113
	IN	4.41		

Spring Reaction Force

(N)

Bore size (mm)	Stroke (mm)	Retracted side	Extended side
4	5, 10, 15	2.80	1.00
6	5, 10, 15	3.92	1.42
10	5, 10, 15	5.98	2.45
15	5, 10, 15	10.80	4.41

* Same spring force for each stroke.

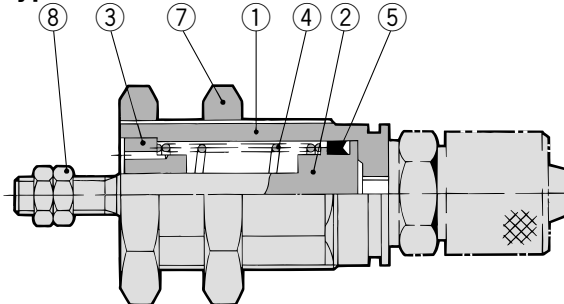
Hose Nipple Dedicated for Panel Mount Type

(With fixed orifice)

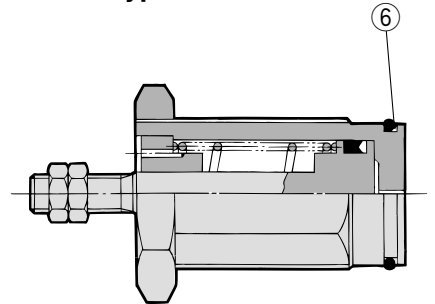
Applicable tubing	Part no.
For ø4/ø2.5 tubing	CJ-5H-4
For ø6/ø4 tubing	CJ-5H-6

Construction (Not able to disassemble.)

Panel mount type



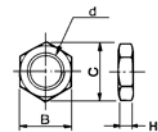
Embedded type



Component Parts

No.	Description	Material	Note
1	Cover	Brass	Electroless nickel plated
2	Piston	Stainless steel	
3	Collar	Oil-impregnated sintered alloy	ø4 Brass + Electroless nickel plated
			ø6, ø10 Bronze
4	Return spring	Steel wire	Zinc chromated
5	Piston seal	NBR	
6	Gasket	NBR	Special product (O-ring) embedded type only
7	Mounting nut	Brass	Electroless nickel plated
8	Rod end nut	Steel	Nickel plated

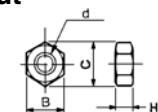
Mounting nut



Material: Brass

Part no.	Applicable bore size (mm)	d	H	B	C
SNPS-004	4	M8 x 1.0	3	10	11.5
SNPS-006	6	M10 x 1.0	3	12	13.9
SNPS-010	10	M15 x 1.5	4	19	22
SNPS-015	15	M22 x 1.5	5	27	31

Rod end nut



Material: Steel

Part no.	Applicable bore size (mm)	d	H	B	C
NTJ-004	4	M2 x 0.4	1.6	4	4.6
NTP-006	6	M3 x 0.5	1.8	5.5	6.4
NTP-010	10	M4 x 0.7	2.4	7	8.1
NTP-015	15	M5 x 0.8	3.2	8	9.2

Dedicated Nut / Part No.

Description	Bore size (mm)	4	6	10	15
	Mounting nut		SNPS-004	SNPS-006	SNPS-010
Rod end nut		NTJ-004	NTP-006	NTP-010	NTP-015

Replacement Parts / Gasket

Bore size (mm)	Order no.	Contents
4	CJPS4-G	Above no. ⑥
6	CJPS6-G	
10	CJPS10-G	
15	CJPS15-G	

* For the plug mounting style
* Since gaskets (10 pcs./set) do not include a grease pack (10 g), order it separately.
Grease pack part number: GR-S-005 (5g)

* Dedicated for the embedded type.

CJ1

CJP

CJ2

CM2

CG1

MB

MB1

CA2

CS1

CS2

D-□

-X□

Individual

-X□

Technical data

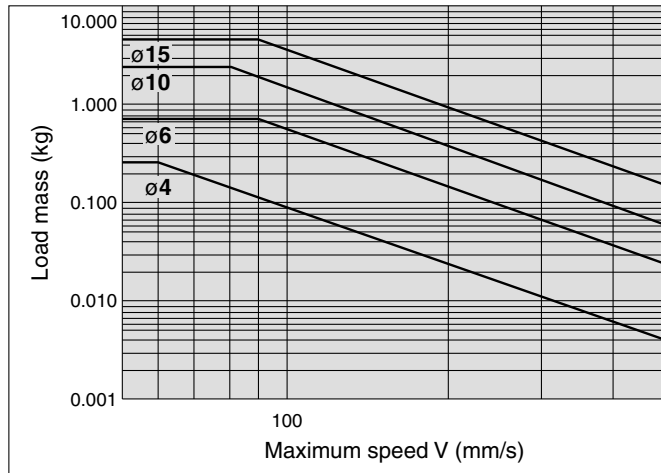
Series CJP

Allowable Kinetic Energy

⚠ Caution

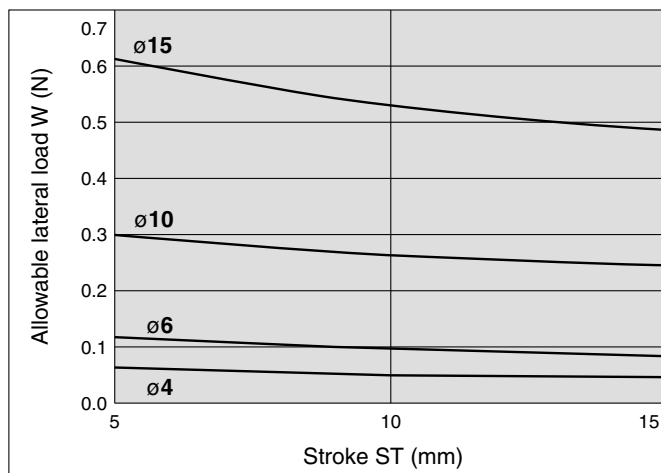
When driving an inertial load, operate a cylinder with kinetic energy within the allowable value. The range in the chart below that is delineated by bold solid lines indicates the relation between load mass and maximum driving speeds.

Bore size (mm)	4	6	10	15
Piston speed (m/s)	0.05 to 0.5			
Allowable kinetic energy (J)	0.5×10^{-3}	3×10^{-3}	8×10^{-3}	19×10^{-3}



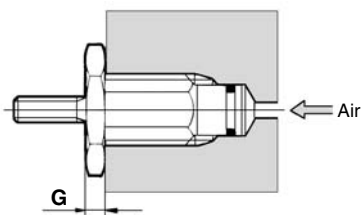
Allowable Lateral Load

Strictly observe the limiting range of lateral load on a piston rod. (Refer to the below graph.) If this product is used beyond the limits, it may shorten the machine life or cause damage.

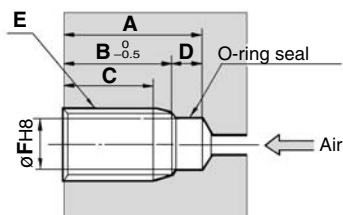


Recommended Mounting Hole Dimensions for Embedded Type

When embedded



Machining dimensions for mounting

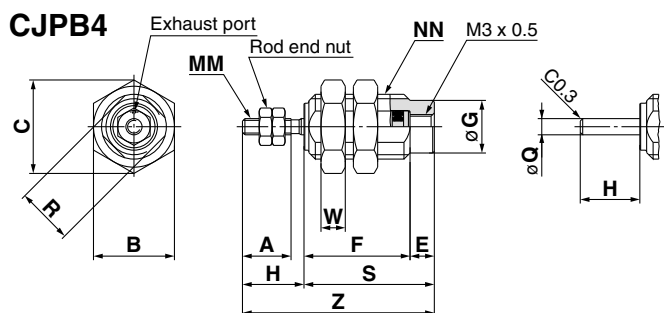


Bore size (mm)	Stroke	A	B	C	D	E	F	G
4	5	12	8.5	6	3.5	M8 x 1.0	6.5	3
	10	20	16.5	14				
	15	28	24.5	22				
6	5	16	12.5	10	3.5	M10 x 1.0	8.5	3
	10	23	19.5	17				
	15	30	26.5	24				
10	5	17	13.5	10.5	3.5	M15 x 1.5	12	4
	10	23.5	20	17				
	15	30.5	27	24				
15	5	19	14.5	11.5	4.5	M22 x 1.5	19	5
	10	25	20.5	17.5				
	15	31.5	27	24				

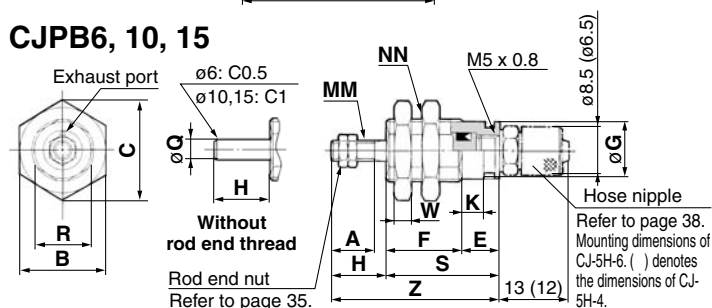
Note) E and ϕF should be machined in a concentric manner.

Dimensions: Panel Mount Type

CJPB4



CJPB6, 10, 15

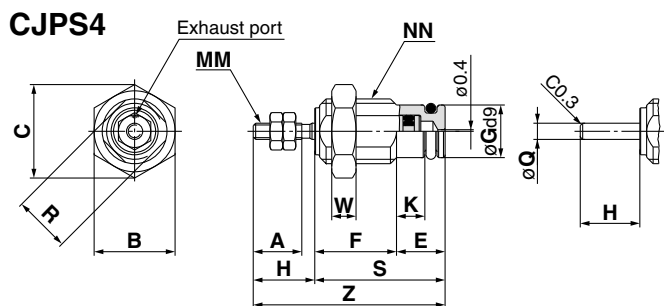


Bore size (mm)	A	B	C	E	F			G	H	K	MM
					5 st	10 st	15 st				
4	6	10	11.5	3	13	21	29	6.5	7.5	—	M2 x 0.4
6	7	12	13.9	6	12.5	19.5	26.5	8.5	9	3.5	M3 x 0.5
10	10	19	22	6	14.5	21	28	12	12	3.5	M4 x 0.7
15	12	27	31	7	16.5	22.5	29	19	14	4.2	M5 x 0.8

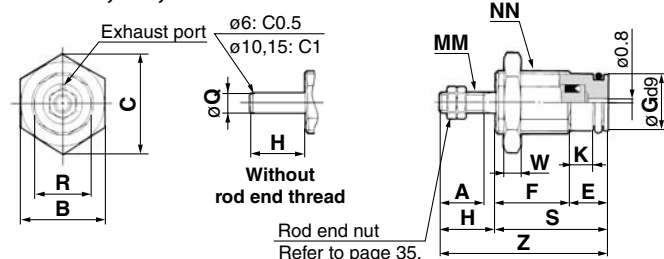
Bore size (mm)	NN	R	S			W	Z			Q
			5 st	10 st	15 st		5 st	10 st	15 st	
4	M8 x 1.0	7	16	24	32	3	23.5	31.5	39.5	2
6	M10 x 1.0	9	18.5	25.5	32.5	3	27.5	34.5	41.5	3
10	M15 x 1.5	13	20.5	27	34	4	32.5	39	46	5
15	M22 x 1.5	20	23.5	29.5	36	5	37.5	43.5	50	6

Dimensions: Embedded Type

CJPS4



CJPS6, 10, 15



Bore size (mm)	A	B	C	E	F			G	H	K	MM
					5 st	10 st	15 st				
4	6	10	11.5	6	10	18	26	6.5	7.5	3.5	M2 x 0.4
6	7	12	13.9	6	12.5	19.5	26.5	8.5	9	3.5	M3 x 0.5
10	10	19	22	6	14.5	21	28	12	12	3.5	M4 x 0.7
15	12	27	31	7	16.5	22.5	29	19	14	4.2	M5 x 0.8

Bore size (mm)	NN	R	S			W	Z			Q
			5 st	10 st	15 st		5 st	10 st	15 st	
4	M8 x 1.0	7	16	24	32	3	23.5	31.5	39.5	2
6	M10 x 1.0	9	18.5	25.5	32.5	3	27.5	34.5	41.5	3
10	M15 x 1.5	13	20.5	27	34	4	32.5	39	46	5
15	M22 x 1.5	20	23.5	29.5	36	5	37.5	43.5	50	6

- CJ1**
- CJP**
- CJ2**
- CM2**
- CG1**
- MB**
- MB1**
- CA2**
- CS1**
- CS2**

- D-□**
- X□**
- Individual
- X□**
- Technical data



Series CJP Specific Product Precautions

Be sure to read before handling. Please consult with SMC for the use other than the specifications.

Piping

⚠ Caution

The following fittings are recommended for this cylinder connection. However, there may be a case where the piston speed exceeds 500 mm/sec. even with the recommended fittings for this cylinder. Use a speed controller in such cases.

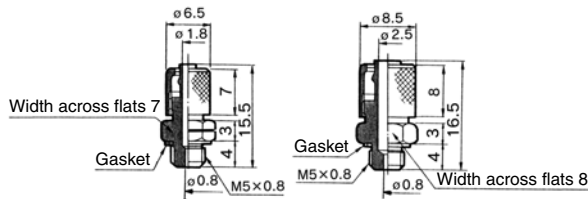
Cylinder bore size	Applicable bore size	Fitting type	Connection thread	Model	
ø4	ø2	One-touch fitting	M3 x 0.5	KJ□02-M3	
		Miniature fitting		M-3AU-2	
One-touch fitting		M5 x 0.8	KJ□02-M5		
Miniature fitting			M-5AU-2		
ø6 ø10 ø15			ø4/2.5	Dedicated hose nipple (with fixed orifice)	CJ-5H-4
			ø6/4		CJ-5H-6

* Please be aware that cylinder speed may slow down on the retracting side when using the above one-touch fittings and miniature fittings with a cylinder bore size of ø15.

Hose nipple

CJ-5H-4
(For ø4/ø2.5 tubing)

CJ-5H-6
(For ø6/ø4 tubing)



In addition to the above fittings and hose nipples, the below fittings can also be attached to the cylinder. When using the below fittings be sure to provide a speed controller after adjusting it to 500 mm/s or less.

Cylinder bore size	Applicable bore size	Fitting type	Connection thread	Model
ø4	3.2	One-touch fitting	M3 x 0.5	KJ□23-M3
	4			KJ□04-M3
ø6 ø10 ø15	3.2		M5 x 0.8	KJ□23-M5
	4			KJ□04-M5
	6			KJ□06-M5

Recommended Speed Controller

Applicable bore size (mm)	Connection thread	Elbow type meter-in	Universal type meter-in	In-line type meter-in
ø2	M3	AS1211F-M3-02	—	AS1001F-02
	M5	AS1211F-M5-02	—	
ø3.2	M3	AS1211F-M3-23	AS1311F-M3-23	AS1001F-23
	M5	AS1211F-M5-23	AS1311F-M5-23	
ø4	M3	AS1211F-M3-04	AS1311F-M3-04	AS1001F-04
	M5	AS1211F-M5-04	AS1311F-M5-04	
ø6	M5	AS1211F-M5-06	AS1311F-M5-06	AS1001F-06

* For details about one-touch fittings, miniature fittings and speed controllers (applicable tubing O.D. ø2 only), refer to the catalog ES50-25 (B edition or later).

Also, for details about speed controllers (applicable tubing O.D. ø3.2 to ø6), refer to Best Pneumatics No. 6.

* Refer to the Fittings and Tubing Precautions (Best Pneumatics No. 6) for how to handle one-touch fittings.

Mounting

⚠ Caution

Do not use it in such a way that a load could be applied to the piston rod during the retraction. The spring that is built into the cylinder provides only enough force to retract the piston rod. Thus, if a load is applied, the piston rod may not be able to retract to the end of the stroke.