

Low Friction Cylinders

Series MQ

Metal Seal Type



Compact Low Friction Cylinder Series MQQ

P.1172

Series	Bore size (mm)	Operating pressure range (MPa)	Actuation speed (mm/s)
MQQT Standard type	10	0.005 to 0.5	0.3 to 300
	16		
	20		
MQQL Lateral load resisting type (Built-in ball bushing)	25	0.005 to 0.7	0.5 to 500
	30		
	30		
	40		



Lateral Load Resisting Low Friction Cylinder Series MQM

P.1181

Series	Bore size (mm)	Operating pressure range (MPa)	Actuation speed (mm/s)
MQML Standard type	6 (Standard only)	$\phi 6$: 0.02 to 0.7 $\phi 10$ to $\phi 25$: 0.005 to 0.7	0.5 to 1000
	10		
	16		
MQML □ □ H High speed/frequency	20	0.01 to 0.7	5 to 3000
	25		



Low Friction Cylinder (Single Acting) Series MQP

P.1192

Series	Bore size (mm)	Operating pressure range (MPa)	Thrust control standard (N)
MQP	$\phi 4$	0.001 to 0.7 (Except for moving parts mass)	0.01 to 8
	$\phi 6$		0.03 to 19
	$\phi 10$		0.08 to 50
	$\phi 16$		0.20 to 140
	$\phi 20$		0.30 to 200

REA

REB

REC

C□Y

C□X

MQ

RHC

RZQ

D-□

-X□

Individual
-X□

Low pressure actuation

Minimal sliding resistance allows low pressure actuation at 0.005 MPa.
* Contact SMC regarding vacuum applications.

Low Friction Cylinders

Series MQQ

Series MQM

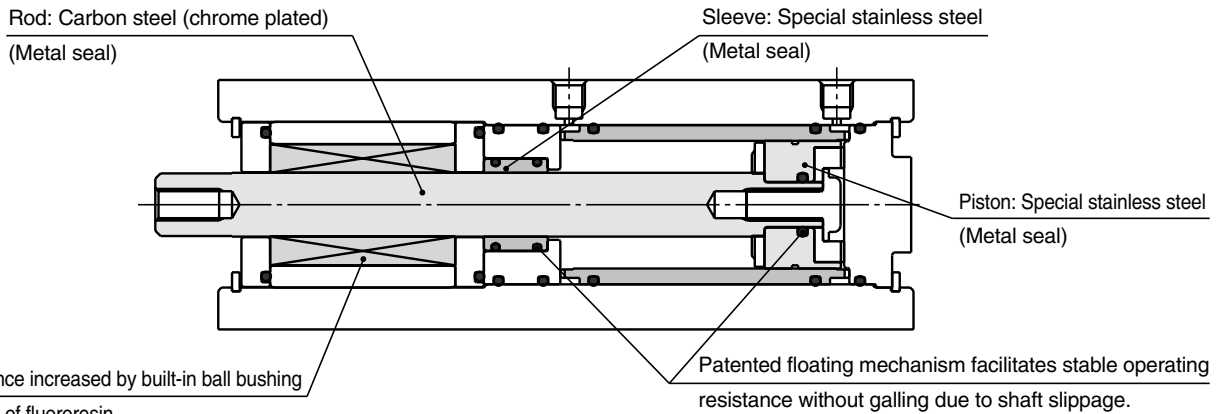
Metal seal structure with low sliding speed and an output control, which

Long service life

Long service life of 10,000 km or 100 million full cycles.

Low and uniform speed actuation

Smooth, uniform speed actuation ranges as low as 0.3 mm/s.



* MQQT type made of fluororesin.

Low friction

Low sliding resistance and high stability allow force control as low as 0.05 N. (Based on cylinder Piston area x Pressure accuracy)
No increased sliding resistance after not operating for a long period of time.

Lateral load resistance

Lateral load resistance is increased by built-in ball bushing. (MQQL/MQML)

Series Variation

Series MQQ

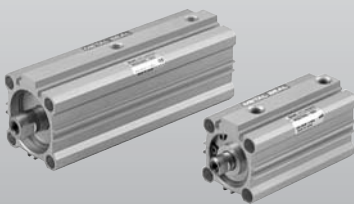
Compact low friction cylinders designed for low pressure, low speed, uniform speed or low friction applications

Series	Bore size (mm)	Stroke (mm)								Operating pressure range (MPa)	Actuation speed (mm/s)
		10	20	30	40	50	60	75	100		
MQQT Standard type	10	●	●	●	●					0.005 to 0.5	0.3 to 300
	16	●	●	●	●	●					
	20	●	●	●	●	●	●				
MQQL Lateral load resisting type (Built-in ball bushing)	25	●	●	●	●	●	●	●	●	0.005 to 0.7	0.5 to 500
	30	●	●	●	●	●	●	●	●		
	40	●	●	●	●	●	●	●	●		

Series MQM

Lateral load resisting low friction cylinders for low pressure, low speed, uniform speed, low friction high pressure, high speed and high speed response (high frequency) actuation

Series	Bore size (mm)	Stroke (mm)						Operating pressure range (MPa)	Actuation speed (mm/s)
		15	30	45	60	75	100		
MQML Standard type	6 (standard only)	●	●	●	●			ø6: 0.02 to 0.7 ø10 to ø25: 0.005 to 0.7	0.5 to 1000
	10	●	●	●	●	●			
	16	●	●	●	●	●	●		
MQML□□H High speed/frequency	20	●	●	●	●	●	●	0.01 to 0.7	5 to 3000
	25	●	●	●	●	●	●		



(Metal Seal Type)

/ $\phi 10, \phi 16, \phi 20, \phi 25, \phi 30, \phi 40$

/ $\phi 6, \phi 10, \phi 16, \phi 20, \phi 25$

resistance enables to cover the range of a driving were not available with the general cylinder.

High speed, High frequency actuation

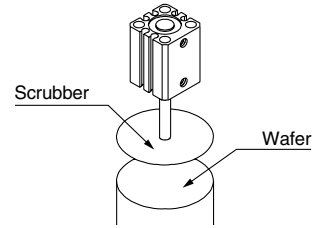
H type achieves speeds up to 3,000 mm/s (without fixed orifice), and continuous actuation up to 50 cycles per second. (MQML□□H)

*Refer to page 1191 for kinetic energy.

Application Examples

For pressure controlling with fine pressure variations

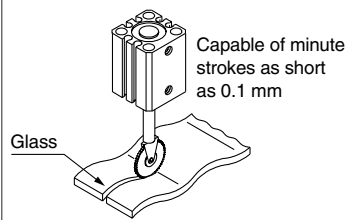
Applicable models: MQQT/MQML



Polishing wafers

For cutting glasses as and lenses, requiring constant force

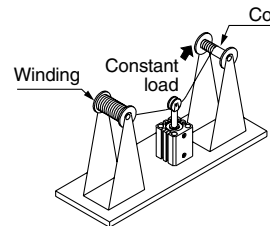
Applicable models: MQQL/MQML



Cutting wavy surfaces

Tension controlling responding to very low pressure and minute pressure variations

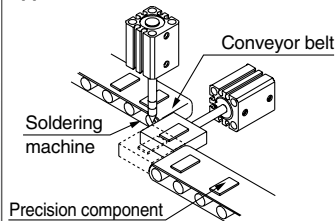
Applicable models: MQQL/MQML



Coil winding

For transferring precision components, etc., that require low or uniform speed actuation

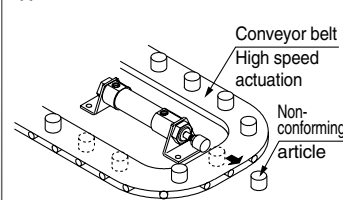
Applicable models: MQQT/MQML



Transferring precision components

For eliminating non-conforming articles requiring high speed actuation

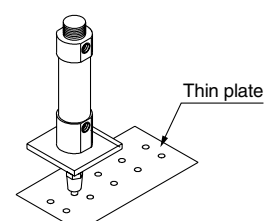
Applicable models: MQML/MQML□□H



Eliminating non-conforming articles

For punching operations requiring high frequency actuation

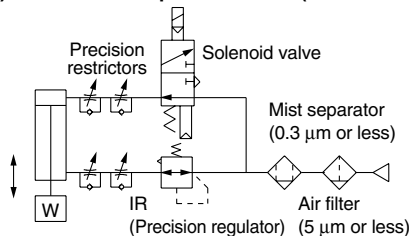
Applicable models: MQML/MQML□□H



Punching

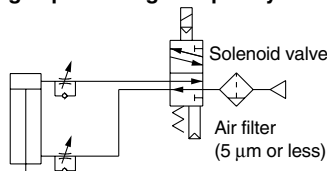
Recommended Circuit Examples

Example 1) Uniform & low speed actuation (no control of cylinder output)



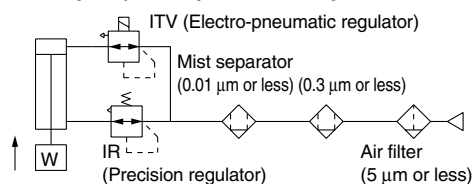
* When using a solenoid valve, use a metal seal type (Series VQ, VQZ, SQ, etc.).

Example 3) High speed & high frequency actuation



* When using a solenoid valve, use a metal seal type (Series VQ, VQZ, SQ, etc.).

Example 2) Low speed with output control



* When performing control of cylinder output, do not create a restriction circuit using a speed controller, etc. Pressure inside the cylinder will drop and control will become impossible. Always control actuation by means of pressure control.

Applications based on low friction specification

- 1) Operating resistance will vary with an offset load. Be sure to properly align the rod axis with the load and direction of movement when connecting. When an offset load is expected, provide a suitable mechanism such as a floating joint.
- 2) Use clean air (atmospheric pressure dew point temperature -10°C or less). Using the AM series mist separator (nominal filtration rating of $0.3\ \mu\text{m}$ or less), or the AM + AMD series (nominal filtration rating of $0.01\ \mu\text{m}$ or less) is recommended.

Low Friction Cylinder

Series MQP



Fully covers a pressure force

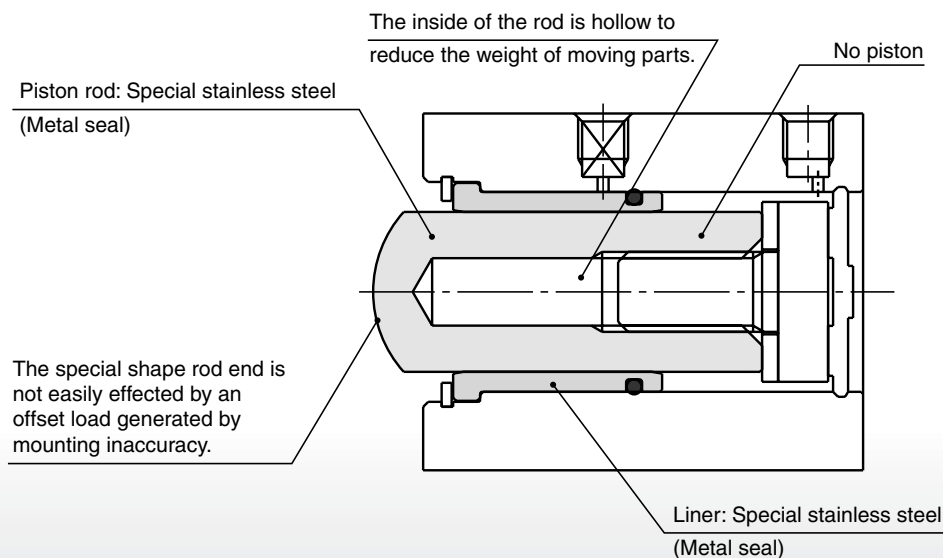
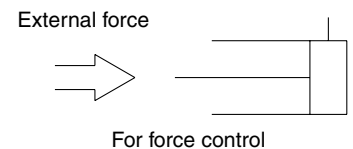
No lurching

Even extremely small degree lurching such as 0.01 mm does not occur. A special air supply, such as for static bearings, is not required.

No piston

Sliding resistance is drastically decreased because the piston and the rod share the same shaft.

Special single acting/Piston retraction by external force



Reduced thrust dispersion

Dispersion of piston diameter: 3 μm or less
Readjusting thrust is not necessary when the cylinder is replaced.
Dispersion of thrust does not occur even more than one cylinder is connected to the same circuit, either. (Depends on the operation environment.)

Low friction and soft-touching

Possible to control the output in increments of 0.01 N. (Depends on the piston area of a cylinder x pressure accuracy)
In addition, sliding resistance does not change after periods of non-operation.

High-precision linear control

Delicate and precise linear movement control is possible.

Series MQP

Low friction cylinder suitable for low friction, force control.

Bore size [mm] (Pressure receiving diameter)	Stroke [mm]	Operating pressure range [MPa]	Mass of moving parts [g]	Thrust control standard [N]
$\varnothing 4$	10	0.001 to 0.7 (Excluding the mass of moving parts)	4	0.01 to 8
$\varnothing 6$			8	0.03 to 19
$\varnothing 10$			24	0.08 to 50
$\varnothing 16$			62	0.20 to 140
$\varnothing 20$			103	0.30 to 200

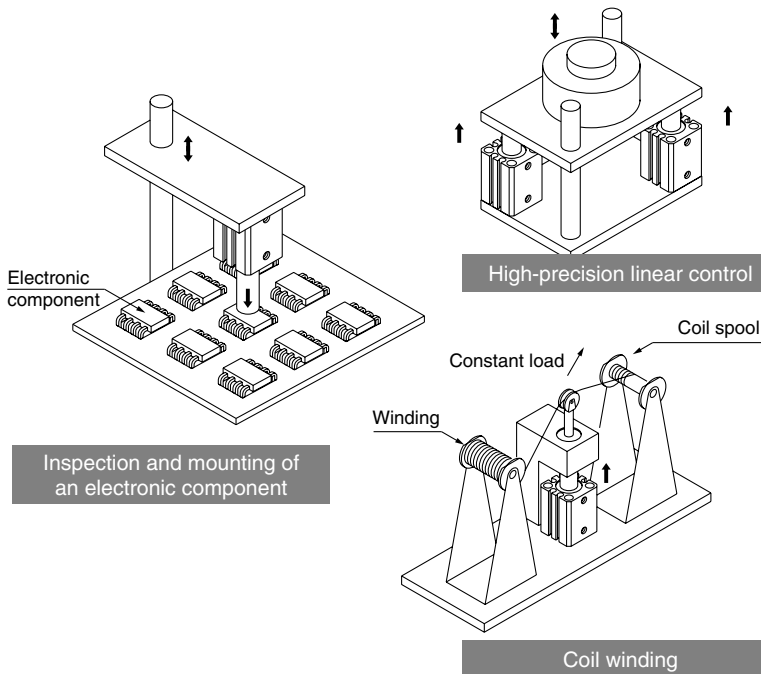
(Metal Seal Type/Single Acting)

/ø4, ø6, ø10, ø16, ø20

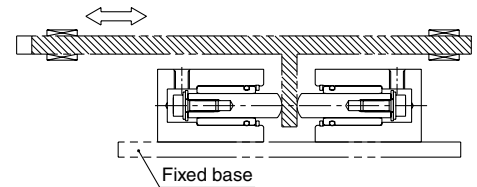
control range of 0.01 N to 200 N

Application Examples: For force control responding to a slight pressure fluctuation

Application examples for a single acting model



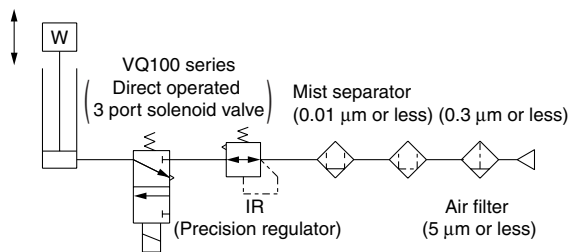
Application example for a double acting model



Using two MQP cylinders can improve the thrusting accuracy of an MQQ and/or MQM double acting metal cylinder. Additionally, equal strength of both extension and retracting thrust can be obtained.

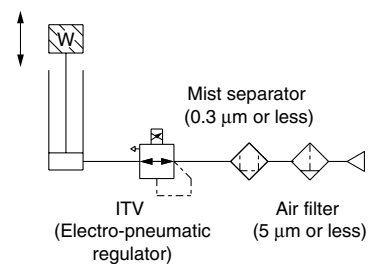
Recommended Circuit Examples

Example 1) Normal operation



- 1) When using a solenoid valve, SMC recommends you use the VQ100 series in which the lubricant in the main valve will not flow out.
- 2) Do not use a speed controller in the circuit. If it is used, accurate thrust control may not be possible because the internal pressure of a cylinder will drop. Be sure to employ pressure control for control operations.

Example 2) Soft-touch operation



Made to Order

- Vacuum retraction cylinder
- Single acting, spring return type (Built-in springs)
- No exterior leakage (For clean rooms)
- Tubing with a maximum of ø40 (I.D.) is available.

REA

REB

REC

C□Y

C□X

MQ

RHC

RZQ

D-□

-X□

Individual
-X□

Metal Seal

Compact Low Friction Cylinder

Series *MQQ*

ø10, ø16, ø20, ø25, ø30, ø40

How to Order

MQQ T B 10 - 10 D

Compact low friction specification

Type	
T	Standard type
L	Lateral load resisting type (Built-in ball bushing)

Mounting

B	Through hole & Double end tapped (Standard)
L	Foot type
F	Rod side flange type
G	Head side flange type
D ^{Note)}	Double clevis type

Note) Available with the MQQL□ only.
* Mounting brackets are included when shipped, but unassembled.

Bore size

10	10 mm
16	16 mm
20	20 mm
25	25 mm
30	30 mm
40	40 mm

Body option

Nil	Standard (Rod end female thread)
M ^{Note)}	Rod end male thread

Note) A rod end thread adapter is attached.
* A rod end thread adapter is shipped being assembled.

Action

D	Double acting
---	---------------

Cylinder stroke

Bore size (mm)	Standard stroke (mm)
10	10, 20, 30, 40
16	10, 20, 30, 40, 50, 60
20	10, 20, 30, 40, 50, 60
25	10, 20, 30, 40, 50, 75, 100
30	10, 20, 30, 40, 50, 75, 100
40	10, 20, 30, 40, 50, 75, 100

* Strokes are available in 1 mm increments by installing a spacer in standard stroke cylinders.

Port thread type

Nil	M thread	ø10 to ø20
	Rc	
TN	NPT	ø25 to ø40
TF	G	

* The MQQ series is not auto switch capable.

Mounting Bracket Part No.

Bore size (mm)	Foot ^{Note 1)}	Flange	Double clevis	Rod end thread adapter (with nut)
10	CQS-L016	CQS-F016	CQS-D016	MQ10-M
16	CQS-L020	CQS-F020	CQS-D020	MQ16-M
20	CQS-L025	CQS-F025	CQS-D025	MQ20-M
25	MQ-L032	MQ-F032	MQ-D032	MQ25-M
30	MQ-L040	MQ-F040	MQ-D040	MQ28-M
40	CQ-L050	CQ-F050	MQ-D050	

Note 1) When ordering a foot bracket, order 2 pcs. for each cylinder.

Note 2) The following parts are included with a bracket respectively.

Foot, Flange Body mounting bolts

Double clevis Clevis pin, C type retaining ring for shaft, Body mounting bolts

Specifications: Standard Type/MQQT



Bore size (mm)		10	16	20	25	30	40
Seal construction		Metal seal					
Action		Double acting, Single rod					
Fluid		Air					
Proof pressure		1.05 MPa					
Maximum operating pressure		0.5 MPa					
Minimum operating pressure <small>Note 1)</small>		0.005 MPa					
Ambient and fluid temperature		-10 to 80°C					
Cushion		Rubber bumper (Standard)					
Lubrication <small>Note 2)</small>		Not required (Non-lube)					
Rod end thread		Female thread					
Stroke length tolerance		+1.0 0					
Piston speed <small>Note 3)</small>		0.3 to 300 mm/s (Refer to page 1190.)					
Total allowable leakage	Supply pressure 0.1 MPa	150 cm ³ /min or less	200 cm ³ /min or less	300 cm ³ /min or less	400 cm ³ /min or less	1600 cm ³ /min or less	4000 cm ³ /min or less
	Supply pressure 0.3 MPa	800 cm ³ /min or less	1000 cm ³ /min or less	1200 cm ³ /min or less	1600 cm ³ /min or less	1600 cm ³ /min or less	1600 cm ³ /min or less
	Supply pressure 0.5 MPa	1500 cm ³ /min or less	2000 cm ³ /min or less	3000 cm ³ /min or less	4000 cm ³ /min or less	4000 cm ³ /min or less	4000 cm ³ /min or less

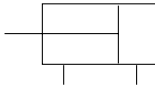
Note 1) Value when horizontal. (Use clean, dry, and nonfreezing air) However, as the stroke increases, it will likely be affected by the mass of its moving parts and the pressure will likely increase by approx. 0.003 to 0.005 MPa due to an offset load from the mass of the rod.

Note 2) Refer to precautions on page 1189 regarding lubrication.

Note 3) Control low speed actuation with differential pressure and a speed controller, etc. (Refer to recommended circuit examples on page 1169 for further details.)

Symbol

Double acting, Single rod



Specifications: Lateral Load Resisting Type/MQQL

Bore size (mm)		10	16	20	25	30	40
Seal construction		Metal seal					
Action		Double acting, Single rod					
Fluid		Air					
Proof pressure		1.05 MPa					
Maximum operating pressure		0.7 MPa					
Minimum operating pressure <small>Note 1)</small>		0.005 MPa					
Ambient and fluid temperature		-10 to 80°C					
Cushion		Rubber bumper (Standard)					
Lubrication <small>Note 2)</small>		Not required (Non-lube)					
Rod end thread		Female thread					
Stroke length tolerance		+1.0 0					
Piston speed <small>Note 3)</small>		0.5 to 500 mm/s (Refer to page 1190.)					
Total allowable leakage	Supply pressure 0.1 MPa	150 cm ³ /min or less	200 cm ³ /min or less	300 cm ³ /min or less	400 cm ³ /min or less	1600 cm ³ /min or less	4000 cm ³ /min or less
	Supply pressure 0.3 MPa	800 cm ³ /min or less	1000 cm ³ /min or less	1200 cm ³ /min or less	1600 cm ³ /min or less	1600 cm ³ /min or less	1600 cm ³ /min or less
	Supply pressure 0.5 MPa	1500 cm ³ /min or less	2000 cm ³ /min or less	3000 cm ³ /min or less	4000 cm ³ /min or less	4000 cm ³ /min or less	4000 cm ³ /min or less

Note 1) Value when horizontal. (Use clean, dry, and nonfreezing air) However, as the stroke increases, it will likely be affected by the mass of its moving parts and the pressure will likely increase by approx. 0.003 to 0.005 MPa due to an offset load from the mass of the rod.

Note 2) Refer to precautions on page 1189 regarding lubrication.

Note 3) Control low speed actuation with differential pressure and a speed controller, etc. (Refer to recommended circuit examples on page 1169 for further details.)

Mass: Standard Type/MQQT

Unit: g

Bore size (mm)	Cylinder stroke (mm)							
	10	20	30	40	50	60	75	100
10	94	118	142	166	—	—	—	—
16	166	206	246	286	326	366	—	—
20	228	290	352	414	476	538	—	—
25	395	487	579	671	763	—	993	1223
30	479	567	655	743	831	—	1052	1272
40	728	846	964	1082	1200	—	1495	1790

Mass: Lateral Load Resisting Type/MQQL (Built-in Ball Bushing)

Unit: g

Bore size (mm)	Cylinder stroke (mm)							
	10	20	30	40	50	60	75	100
10	148	172	196	220	—	—	—	—
16	284	324	364	404	444	484	—	—
20	383	445	507	569	631	693	—	—
25	552	644	736	828	920	—	1150	1380
30	911	999	1087	1175	1263	—	1485	1705
40	1337	1455	1573	1691	1809	—	2104	2399

Theoretical Output

Unit: L/min

Bore size (mm)	Rod size (mm)	Direction	Piston area (mm ²)	Operating pressure (MPa)						
				0.1	0.2	0.3	0.4	0.5	0.6	0.7
10	6	IN	50.3	5.0	10.1	15.1	20.1	25.2	30.2	35.2
		OUT	78.5	7.9	15.7	23.6	31.4	39.3	47.1	55.0
16	8	IN	145.8	14.9	29.2	43.7	58.3	72.9	87.5	102.1
		OUT	196.1	19.6	39.2	58.9	78.4	98.1	117.7	137.3
20	10	IN	235.6	23.6	47.1	70.7	94.2	117.8	141.4	164.9
		OUT	314.2	31.4	62.8	94.3	125.7	157.1	188.5	219.9
25	12	IN	377.8	37.8	75.6	113.3	151.1	188.9	226.7	262.5
		OUT	490.9	49.1	98.2	147.3	196.4	245.5	294.5	343.6
30	16	IN	505.8	50.6	101.2	151.8	202.4	253.0	303.6	354.2
		OUT	706.9	70.7	141.4	212.1	282.8	353.5	424.2	494.9
40	20	IN	1055.6	105.6	211.2	316.8	422.4	528.0	633.6	739.2
		OUT	1256.6	125.7	251.4	377.1	502.8	628.5	754.2	879.9

REA

REB

REC

C□Y

C□X

MQ

RHC

RZQ

D-□

-X□

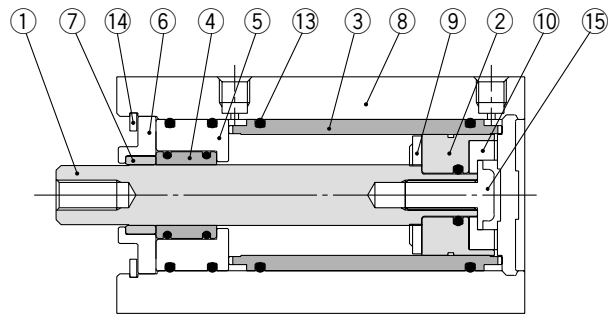
Individual

-X□

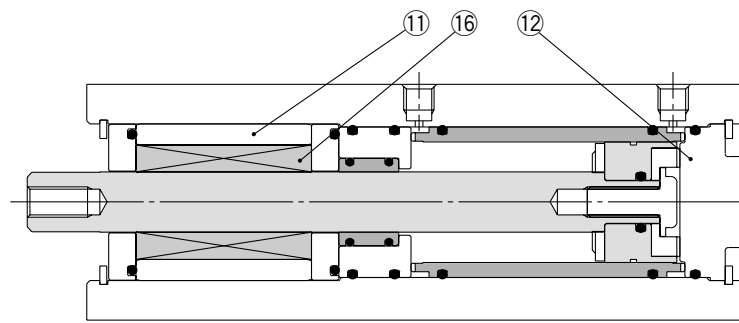
Series MQQ

Construction

Standard type: MQQT



Lateral load resisting type: MQQL (Built-in ball bushing)



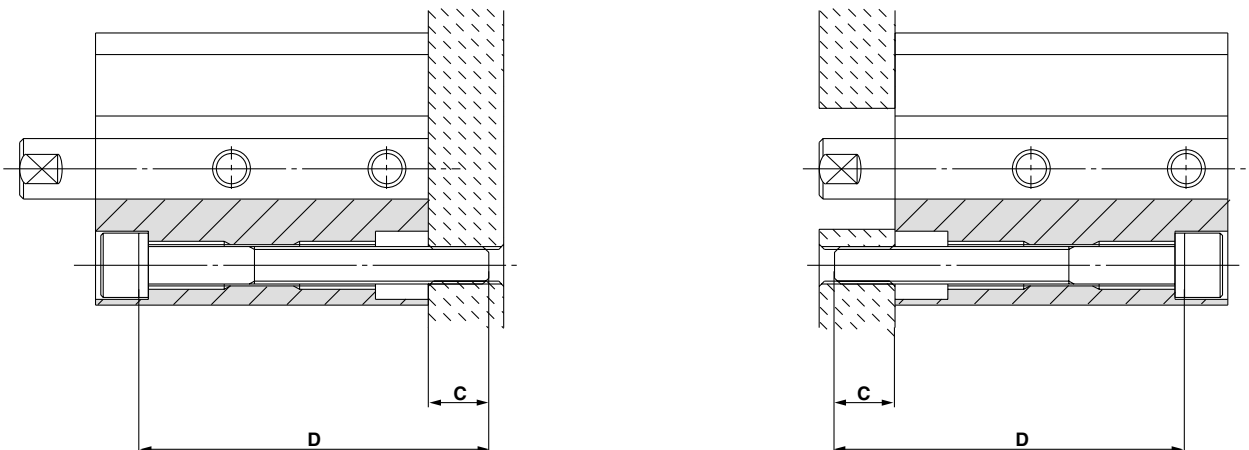
Component Parts

No.	Description	Material	Note
1	Rod	Carbon steel	Hard chrome plated
2	Piston	Special stainless steel	
3	Liner	Special stainless steel	
4	Sleeve	Special stainless steel	
5	Sleeve retainer	Aluminum alloy	
6	Plate	Aluminum alloy	Hard anodized
7	Guide	Fluororesin	
8	Cylinder tube	Aluminum alloy	Hard anodized
9	Bumper A	Polyurethane	
10	Bumper B	Polyurethane	
11	Bushing	Aluminum alloy	
12	Bottom plate	Aluminum alloy	Hard anodized
13	O-ring	NBR	
14	Retaining ring	Carbon tool steel	Nickel plated
15	Bolt	Carbon tool steel	Nickel plated
16	Ball bushing		

Mounting

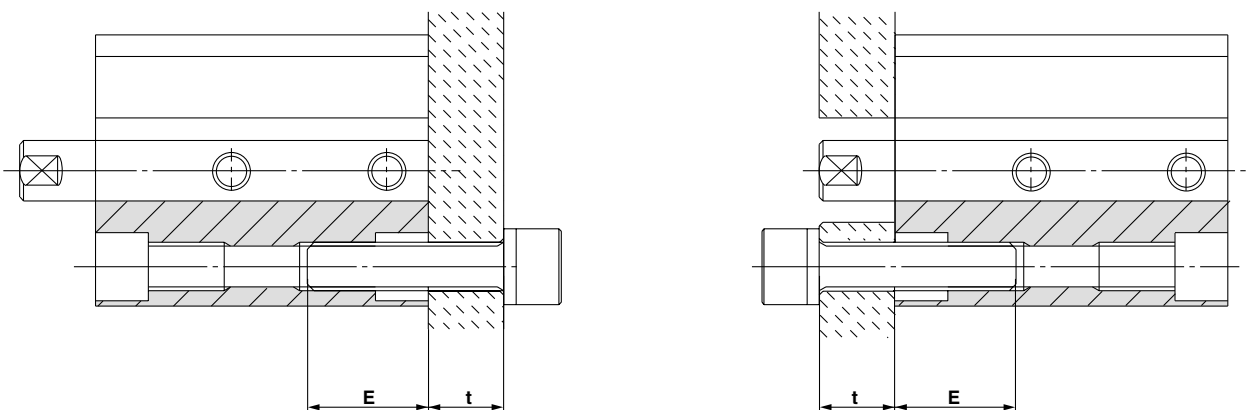
Mounting bolts

a) Mounting type A (when using the mounting plate threads)



Note) Be sure to use a flat washer for the A type mounting.

b) Mounting type B (when using the cylinder tube threads)



Compatible Mounting Bolt Dimensions

Model	Mounting type A			Mounting type B		
	Mounting bolt size	C (mm)	D: Bolt length (mm)	Mounting bolt size	E (mm)	
Standard type MQQT	MQQTB10-□D	M3 x 0.5	7	35 + Stroke	M4 x 0.7	8 to 11
	MQQTB16-□D	M5 x 0.8	7	35 + Stroke	M6 x 1	13 to 17
	MQQTB20-□D		8.5	40 + Stroke		
	MQQTB25-□D		9	45 + Stroke		
	MQQTB30-□D		7.5	50 + Stroke		
	MQQTB40-□D	M6 x 1	6	50 + Stroke	M8 x 1.25	16 to 22
Lateral load resisting type MQQL (Built-in ball bushing)	MQQLB10-□D	M3 x 0.5	7	65 + Stroke	M4 x 0.7	8 to 11
	MQQLB16-□D	M5 x 0.8	5.5	70 + Stroke	M6 x 1	13 to 17
	MQQLB20-□D		8	80 + Stroke		
	MQQLB25-□D		6.5	85 + Stroke		
	MQQLB30-□D		7	105 + Stroke		
	MQQLB40-□D	M6 x 1	7	105 + Stroke	M8 x 1.25	16 to 22

□: Stroke

REA

REB

REC

C□Y

C□X

MQ

RHC

RZQ

D-□

-X□

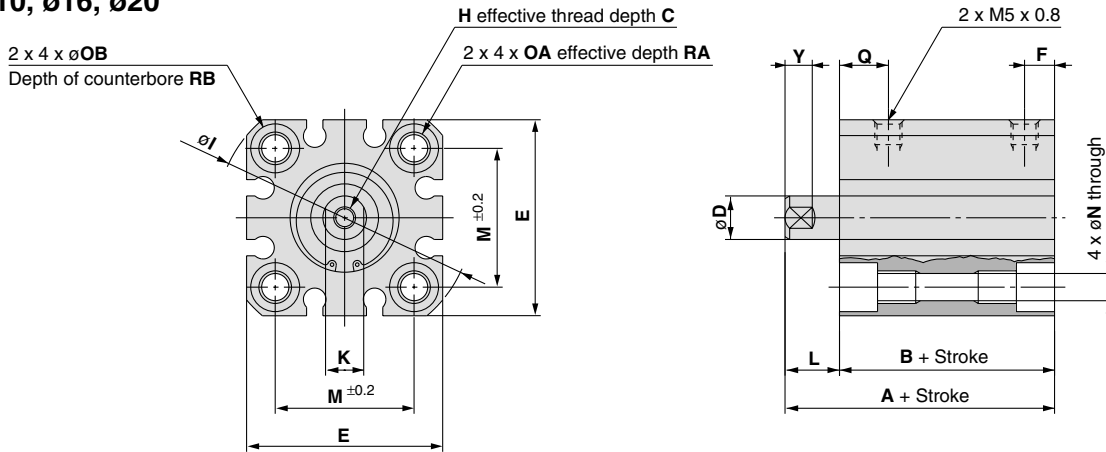
Individual
-X□

Series MQQ

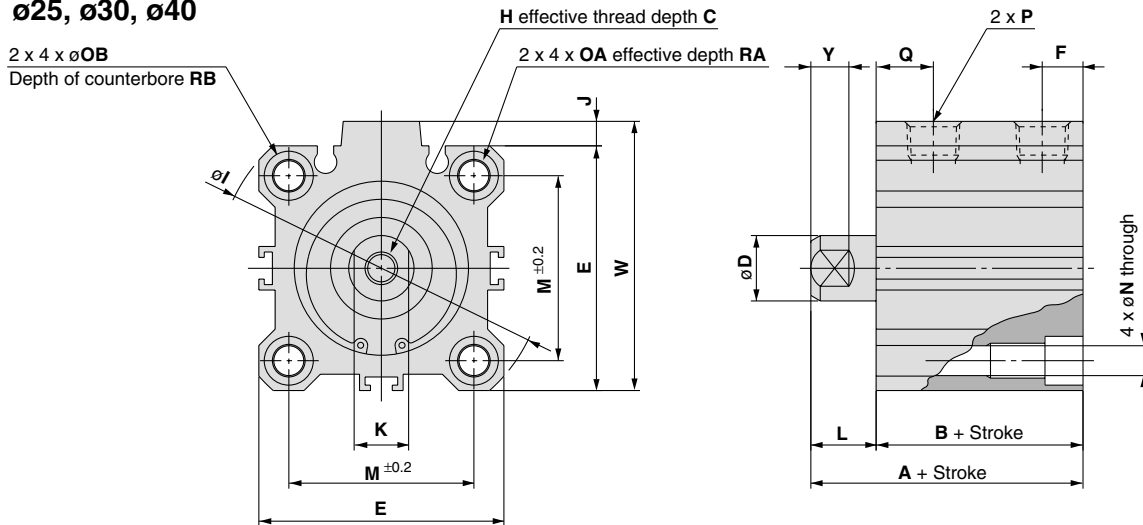
Dimensions

Standard type (Through hole & Double end tapped): MQQTB

ø10, ø16, ø20



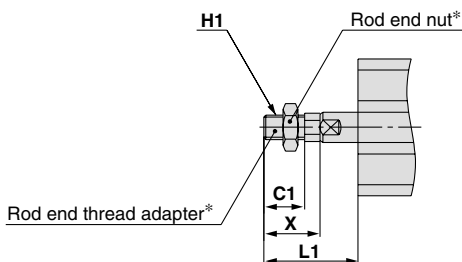
ø25, ø30, ø40



Bore size (mm)	Stroke range (mm)	A	B	C	D (Note)	E	F	H	I	J	K	L	M	N	OA	OB	P			Q	RA	RB	W	Y
																	—	TN	TF					
10	10 to 40	39.5	31.5	6	6 (5.8)	29	5.5	M3 x 0.5	38	—	5	8	20	3.5	M4 x 0.7	6.5	—	—	—	14.5	7	4	—	5
16	10 to 60	44	34	8	8 (7.8)	36	5.5	M4 x 0.7	47	—	7	10	25.5	5.4	M6 x 1.0	9	—	—	—	18	10	7	—	5
20	10 to 60	47.5	37.5	10	10 (9.8)	40	5.5	M5 x 0.8	52	—	8	10	28	5.4	M6 x 1.0	9	—	—	—	19.5	10	7	—	6
25	10 to 50, 75, 100	54	42	12	12 (11.8)	45	8.5	M6 x 1.0	60	4.5	10	12	34	5.5	M6 x 1.0	9	Rc 1/8	NPT 1/8	G 1/8	23	10	7	49.5	7
30	10 to 50, 75, 100	60.5	48.5	13	16 (15.8)	52	8.5	M8 x 1.25	69	5	14	12	40	5.5	M6 x 1.0	9	Rc 1/8	NPT 1/8	G 1/8	26	10	7	57	10
40	10 to 50, 75, 100	62	50	13	16 (15.8)	64	12	M8 x 1.25	86	7	14	12	50	6.6	M8 x 1.25	11	Rc 1/4	NPT 1/4	G 1/4	26	14	8	71	10

Note) (): Rod end dimensions

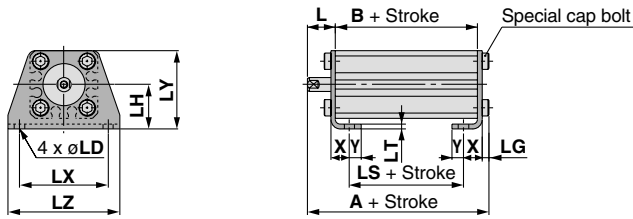
With rod end male thread: MQQ□-□DM



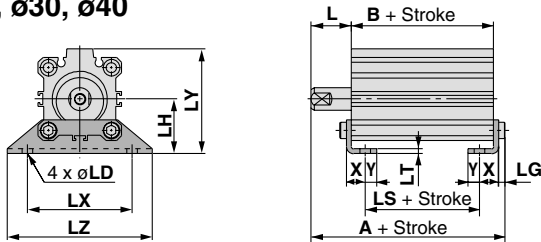
Bore size (mm)	L1	C1	H1	X
10	23.5	10.5	M5 x 0.8	15.5
16	26.5	11.5	M6 x 1.0	16.5
20	28.5	13.5	M8 x 1.25	18.5
25	34.5	16.5	M10 x 1.25	22.5
30	40.5	22.5	M14 x 1.5	28.5
40	40.5	22.5	M14 x 1.5	28.5

* Refer to page 1180 for details regarding the rod end thread adapter and the rod end nut.

Foot type: MQQTL
ø10, ø16, ø20



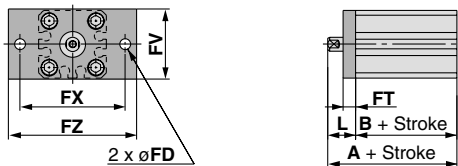
ø25, ø30, ø40



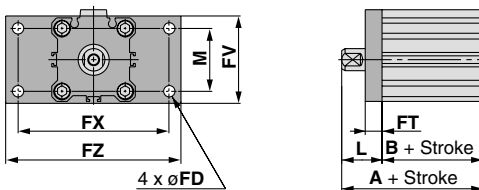
Bore size (mm)	Stroke range (mm)	A	B	L	LD	LG	LH
10	10 to 40	44.3	31.5	8	4.5	2.8	19
16	10 to 60	51.2	34	10	6.6	4	24
20	10 to 60	54.7	37.5	10	6.6	4	26
25	10 to 50,75,100	61.2	42	12	6.6	4	30
30	10 to 50,75,100	67.7	48.5	12	6.6	4	33
40	10 to 50,75,100	70.2	50	12	9	5	39

Bore size (mm)	LS	LT	LX	LY	LZ	X	Y
10	19.5	2	38	33.5	48	8	5
16	22	3.2	48	42	62	9.2	5.8
20	22.5	3.2	52	46	66	10.7	5.8
25	26	3.2	57	57	71	11.2	5.8
30	32.5	3.2	64	64	78	11.2	7
40	27	3.2	79	78	95	14.7	8

Rod side flange type: MQQTF
ø10, ø16, ø20



ø25, ø30, ø40

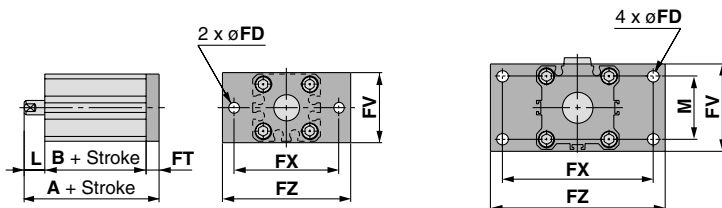


Bore size (mm)	Stroke range (mm)	A	B	FD	FT	FV	FX
10	10 to 40	49.5	31.5	4.5	5.5	30	45
16	10 to 60	54	34	6.6	8	39	48
20	10 to 60	57.5	37.5	6.6	8	42	52
25	10 to 50,75,100	64	42	5.5	8	48	56
30	10 to 50,75,100	70.5	48.5	5.5	8	54	62
40	10 to 50,75,100	72	50	6.6	9	67	76

Bore size (mm)	FZ	L	M
10	55	18	—
16	60	20	—
20	64	20	—
25	65	22	34
30	72	22	40
40	89	22	50

Head side flange type: MQQTG
ø10, ø16, ø20

ø25, ø30, ø40



Bore size (mm)	Stroke range (mm)	A	L
10	10 to 40	45	8
16	10 to 60	52	10
20	10 to 60	55.5	10
25	10 to 50,75,100	62	12
30	10 to 50,75,100	68.5	12
40	10 to 50,75,100	70	12

(Dimensions other than A and L are the same as the rod side flange type.)

REA

REB

REC

C□Y

C□X

MQ

RHC

RZQ

D-□

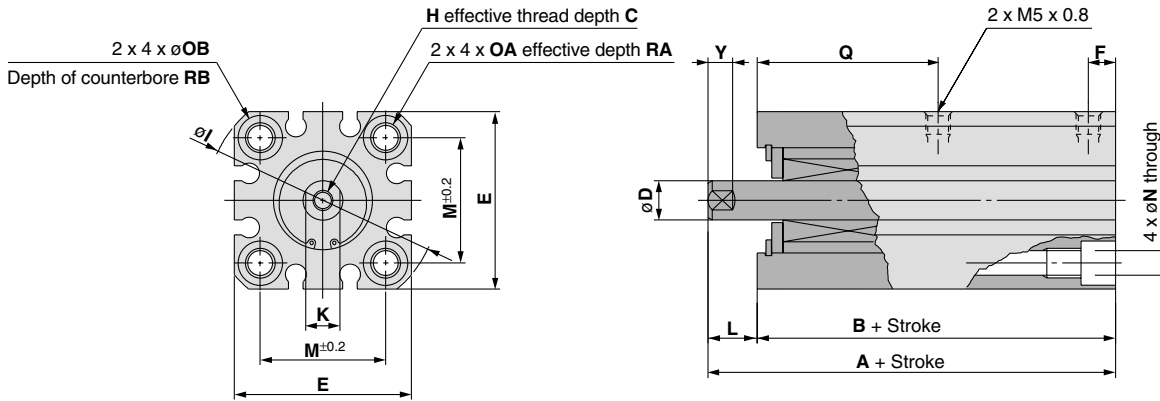
-X□

Individual
-X□

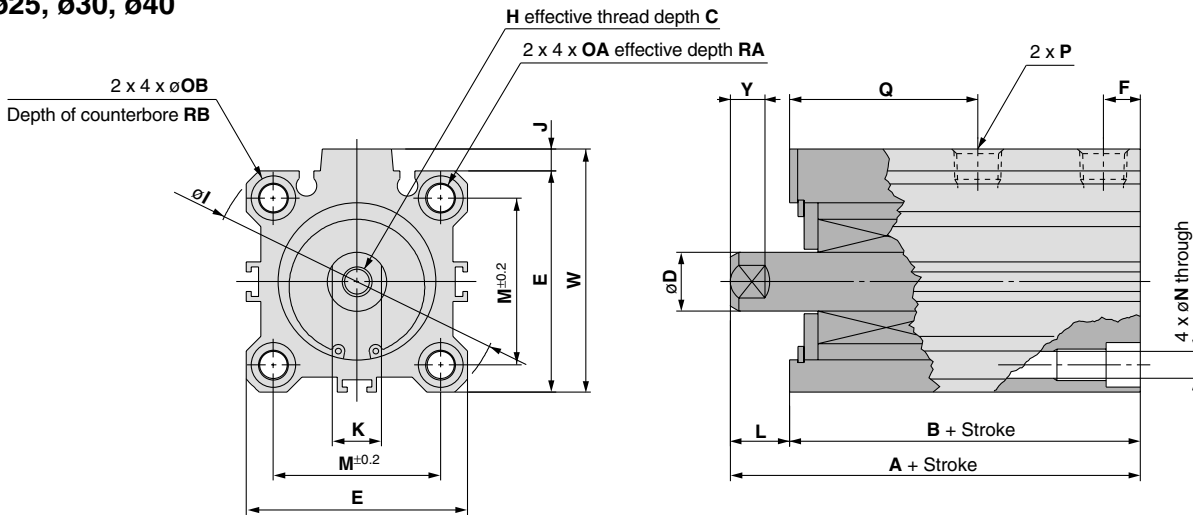
Series MQQ

Dimensions

Lateral load resisting type (Through hole & Double end tapped): MQQLB $\phi 10, \phi 16, \phi 20$



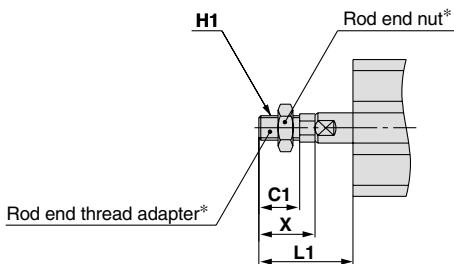
$\phi 25, \phi 30, \phi 40$



Bore size (mm)	Stroke range (mm)	A	B	C	D (Note)	E	F	H	I	J	K	L	M	N	OA	OB	P			Q	RA	RB	W	Y
																	—	TN	TF					
10	10 to 40	69.5	61.5	6	6 (5.8)	29	9	M3 x 0.5	38	—	5	8	20	3.5	M4 x 0.7	6.5	—	—	—	39.5	7	4	—	5
16	10 to 60	80.5	70.5	8	8 (7.8)	36	11.5	M4 x 0.7	47	—	7	10	25.5	5.4	M6 x 1.0	9	—	—	—	48.5	10	7	—	5
20	10 to 60	89	79	10	10 (9.8)	40	12	M5 x 0.8	52	—	8	10	28	5.4	M6 x 1.0	9	—	—	—	55	10	7	—	6
25	10 to 50, 75, 100	96.5	84.5	12	12 (11.8)	45	13.5	M6 x 1.0	60	4.5	10	12	34	5.5	M6 x 1.0	9	Rc 1/8	NPT 1/8	G 1/8	58	10	7	49.5	7
30	10 to 50, 75, 100	116	104	13	16 (15.8)	52	17.5	M8 x 1.25	69	5	14	12	40	5.5	M6 x 1.0	9	Rc 1/8	NPT 1/8	G 1/8	71	10	7	57	10
40	10 to 50, 75, 100	116	104	13	16 (15.8)	64	17.5	M8 x 1.25	86	7	14	12	50	6.6	M8 x 1.25	11	Rc 1/4	NPT 1/4	G 1/4	71	14	8	71	10

Note) (): Rod end dimensions

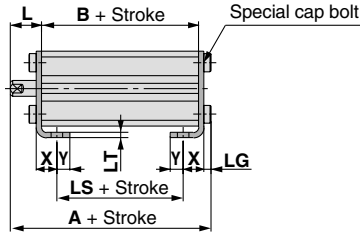
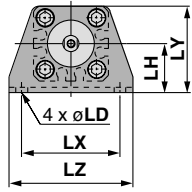
With rod end male thread: MQQ□-□DM



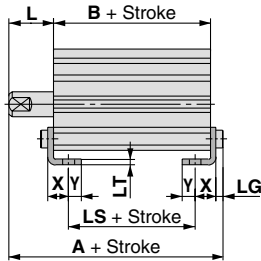
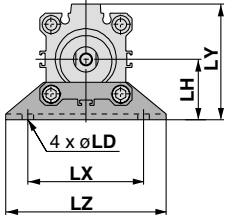
Bore size (mm)	L1	C1	H1	X
10	23.5	10.5	M5 x 0.8	15.5
16	26.5	11.5	M6 x 1.0	16.5
20	28.5	13.5	M8 x 1.25	18.5
25	34.5	16.5	M10 x 1.25	22.5
30	40.5	22.5	M14 x 1.5	28.5
40	40.5	22.5	M14 x 1.5	28.5

* Refer to page 1180 for details regarding the rod end thread adapter and the rod end nut.

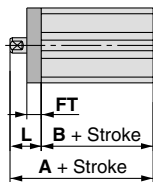
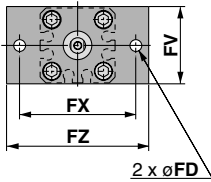
Foot type: MQQLL
ø10, ø16, ø20



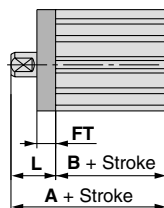
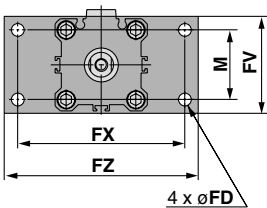
ø25, ø30, ø40



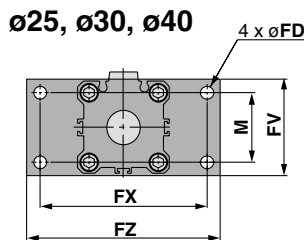
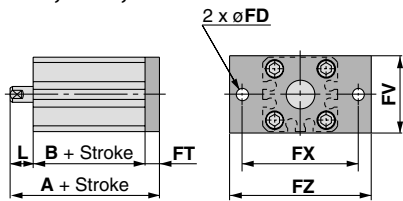
Rod side flange type: MQQLF
ø10, ø16, ø20



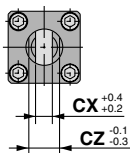
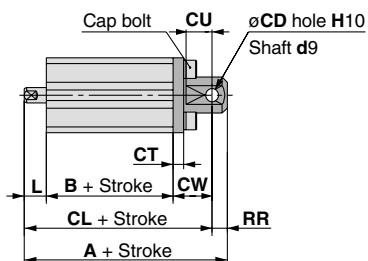
ø25, ø30, ø40



Head side flange type: MQQLG
ø10, ø16, ø20



Double clevis type: MQQLD



(mm)

Bore size (mm)	Stroke range (mm)	A	B	L	LD	LG	LH
10	10 to 40	74.3	61.5	8	4.5	2.8	19
16	10 to 60	87.7	70.5	10	6.6	4	24
20	10 to 60	96.2	79	10	6.6	4	26
25	10 to 50,75,100	103.7	84.5	12	6.6	4	30
30	10 to 50,75,100	123.2	104	12	6.6	4	33
40	10 to 50,75,100	124.2	104	12	9	5	39

Bore size (mm)	LS	LT	LX	LY	LZ	X	Y
10	49.5	2	38	33.5	48	8	5
16	58.5	3.2	48	42	62	9.2	5.8
20	64	3.2	52	46	66	10.7	5.8
25	68.5	3.2	57	57	71	11.2	5.8
30	88	3.2	64	64	78	11.2	7
40	81	3.2	79	78	95	14.7	8

(mm)

Bore size (mm)	Stroke range (mm)	A	B	FD	FT	FV	FX
10	10 to 40	79.5	61.5	4.5	5.5	30	45
16	10 to 60	90.5	70.5	6.6	8	39	48
20	10 to 60	99	79	6.6	8	42	52
25	10 to 50,75,100	106.5	84.5	5.5	8	48	56
30	10 to 50,75,100	126	104	5.5	8	54	62
40	10 to 50,75,100	126	104	6.6	9	67	76

Bore size (mm)	FZ	L	M
10	55	18	—
16	60	20	—
20	64	20	—
25	65	22	34
30	72	22	40
40	89	22	50

(mm)

Bore size (mm)	Stroke range (mm)	A	L
10	10 to 40	75	8
16	10 to 60	88.5	10
20	10 to 60	97	10
25	10 to 50,75,100	104.5	12
30	10 to 50,75,100	124	12
40	10 to 50,75,100	124	12

(Dimensions other than A and L are the same as the rod side flange type.)

(mm)

Bore size (mm)	Stroke range (mm)	A	B	CD	CL	CT	CU
10	10 to 40	90.5	61.5	5	84.5	4	10
16	10 to 60	107.5	70.5	8	98.5	5	12
20	10 to 60	119	79	10	109	5	14
25	10 to 50,75,100	126.5	84.5	10	116.5	5	14
30	10 to 50,75,100	148	104	10	138	6	14
40	10 to 50,75,100	158	104	14	144	7	20

Bore size (mm)	CW	CX	CZ	L	RR
10	15	6.5	12	8	6
16	18	8	16	10	9
20	20	10	20	10	10
25	20	18	36	12	10
30	22	18	36	12	10
40	28	22	44	12	14

REA

REB

REC

C□Y

C□X

MQ

RHC

RZQ

D-□

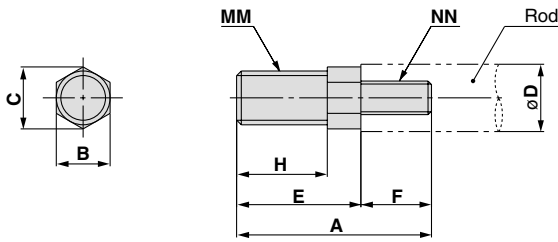
-X□

Individual
-X□

Series MQQ

Accessory Dimensions

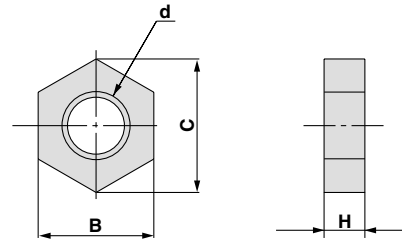
Rod end thread adapter



Part no.	Applicable bore size (mm)	A	B	C	D	E	F
MQ10-M	10	20.5	8	9.2	6	15.5	5
MQ16-M	16	22.5	8	9.2	8	16.5	6
MQ20-M	20	24.5	8	9.2	10	18.5	6
MQ25-M	25	33.5	10	11.5	12	22.5	11
MQ28-M	30, 40	40.5	14	16	16	28.5	12

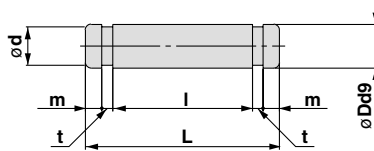
Part no.	Applicable bore size (mm)	H	MM	NN
MQ10-M	10	10.5	M5 x 0.8	M3 x 0.5
MQ16-M	16	11.5	M6 x 1.0	M4 x 0.7
MQ20-M	20	13.5	M8 x 1.25	M5 x 0.8
MQ25-M	25	16.5	M10 x 1.25	M6 x 1.0
MQ28-M	30, 40	22.5	M14 x 1.5	M8 x 1.25

Rod end nut



Part no.	Applicable bore size (mm)	B	C	d	H
NTJ-015A	10	8	9.2	M5 x 0.8	4
NT-015A	16	10	11.5	M6 x 1.0	5
NT-02	20	13	15	M8 x 1.25	5
NT-03	25	17	19.6	M10 x 1.25	6
NT-04	30, 40	22	25.4	M14 x 1.5	8

Clevis pin



Part no.	Applicable bore size (mm)	Dd9	L	d	l	m	t	Applicable retaining ring
IY-J015	10	5 ^{-0.030} _{-0.040}	16.6	4.8	12.2	1.5	0.7	C type 5 for shaft
IY-G02	16	8 ^{-0.040} _{-0.076}	21	7.6	16.2	1.5	0.9	C type 8 for shaft
IY-G03	20	10 ^{-0.040} _{-0.076}	25.6	9.6	20.2	1.55	1.15	C type 10 for shaft
IY-G04	25, 30	10 ^{-0.040} _{-0.076}	41.6	9.6	36.2	1.55	1.15	C type 10 for shaft
IY-G05	40	14 ^{-0.050} _{-0.093}	50.6	13.4	44.2	2.05	1.15	C type 14 for shaft

Metal Seal

Lateral Load Resisting Low Friction Cylinder Series **MQM** ø6, ø10, ø16, ø20, ø25

How to Order

MQML B 10 - 15 D

Lateral load resisting low friction specification

Type

L	Lateral load resisting type (Built-in ball bushing)
----------	---

Mounting

B	Basic type
L	Foot type
F	Rod side flange type
G	Head side flange type (Except for ø6)
C <small>Note 1)</small>	Single clevis type (Non-integrated type)
D <small>Note 2)</small>	Double clevis type

Note 1) Bore size: 20, 25 mm only
* Mounting brackets are included when shipped, but unassembled. (Except for clevis type.)
Note 2) ø6, ø10, ø16 Integrated type
 ø20, ø25 Non-integrated type

Bore size

6	6 mm
10	10 mm
16	16 mm
20	20 mm
25	25 mm

Action

D	Double acting
----------	---------------

Cylinder stroke

Bore size (mm)	Standard stroke (mm)
6	15, 30, 45, 60
10	15, 30, 45, 60, 75, 100
16	15, 30, 45, 60, 75, 100
20	15, 30, 45, 60, 75, 100
25	15, 30, 45, 60, 75, 100

* Strokes are available in 1mm increments by installing spacers in standard stroke cylinders.

Function

Nil	Standard type
H <small>Note)</small>	High speed/High frequency type (Without fixed orifice)

Note) Except for 6 mm bore size.

Port thread type

Nil	M thread	ø6 to ø16
	Rc	
TN	NPT	ø20, ø25
TF	G	

* The MQM series is not auto switch capable.

Mounting Style/Accessories

Mounting bracket		B: Basic	L: Foot	F: Rod side flange	G: Head side flange	C: Single clevis	D: Double clevis	Note
Standard	Mounting nut <small>Note 1)</small>	● (1 pc.)	● (2 pcs.)	● (1 pc.)	● (1 pc.)	— <small>Note 1)</small>	— <small>Note 2)</small>	
	Rod end nut	●	●	●	●	●	●	
	Clevis pin	—	—	—	—	—	●	
Option	T-bracket	—	—	—	—	—	●	With pin

Note 1) Mounting nut is not included with the integral clevis, single clevis and double clevis types.

Note 2) Pin and retaining ring are packed with the double clevis type.

Mounting Bracket Part No.

Bore size (mm)	Foot <small>Note 1)</small>	Flange	Single clevis	Double clevis (with pin) <small>Note 2)</small>	T-bracket <small>Note 3)</small>
6	CJK-L016B	CJK-F016B	—	—	CJ-T010B
10	MQM-L010		—	—	
16	MQM-L016	CLJ-F016B	—	—	CJ-T016B
20	CM-L020B	CM-F020B	CM-C020B	CM-D020B	—
25	CM-L032B	CM-F032B	CM-C032B		—

Note 1-1) Bore size 6 mm:

1 foot bracket is included.

When ordering foot brackets, order 1 piece per a cylinder unit.

Note 1-2) Bore size other than 6 mm (10, 16, 20 and 25 mm) (Same as Series CM):

2 foot brackets and 1 mounting nut (1 set) are used for a cylinder unit.

When ordering foot brackets, order 2 pieces per a cylinder unit (shipped as a set).

Note 2) Clevis pin and retaining ring are included in package.

Note 3) T-bracket is applicable to the double clevis type (D).

REA

REB

REC

C□Y

C□X

MQ

RHC

RZQ

D-□

-X□

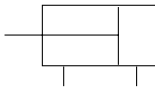
Individual

-X□



Symbol

Double acting, Single rod



Specifications

Bore size (mm)		6	10	16	20	25
Seal construction		Metal seal				
Action		Double acting, Single rod				
Fluid		Air				
Proof pressure		1.05 MPa				
Maximum operating pressure		0.7 MPa				
Minimum operating pressure <small>Note 1)</small>	Standard type	0.02MPa	0.005 MPa			
	H (High speed/High frequency type)	—	0.01 MPa			
Ambient and fluid temperature		-10 to 80°C				
Cushion		Rubber bumper (Standard)				
Lubrication <small>Note 2)</small>		Not required (Non-lube)				
Stroke length tolerance		+1.0 0				
Piston speed <small>Note 3)</small>	Standard type	0.5 to 1000 mm/s (Refer to page 1191.)				
	H (High speed/High frequency type)	—	5 to 3000 mm/s (Refer to page 1191.)			
Total allowable leakage	Supply pressure 0.1 MPa	150 cm ³ /min or less	250 cm ³ /min or less	300 cm ³ /min or less		
	Supply pressure 0.3 MPa	800 cm ³ /min or less	1000 cm ³ /min or less	1200 cm ³ /min or less		
	Supply pressure 0.5 MPa	1500 cm ³ /min or less	2500 cm ³ /min or less	3000 cm ³ /min or less		

Note 1) Value when horizontal. (Use clean, dry, and nonfreezing air) However, as the stroke increases, it will likely be affected by the mass of its moving parts and the pressure will likely increase by approx. 0.003 to 0.005 MPa due to an offset load from the mass of the rod.

Note 2) Refer to precautions on page 1189 regarding lubrication.

Note 3) Control low speed actuation with differential pressure and a speed controller, etc. (Refer to recommended circuit examples on page 1169 for further details.)

Mass: Standard Type, High Speed/High Frequency Type

Unit: g

Bore size (mm)	Cylinder stroke (mm)					
	15	30	45	60	75	100
6	52.5	60.7	68.9	77.1	—	—
10	92.4	102.7	113.0	123.3	133.6	143.9
16	152.4	175.2	198.0	220.8	243.6	266.4
20	349.8	392.6	435.4	478.2	521.0	563.8
25	460.8	510.0	559.2	608.4	657.6	706.8

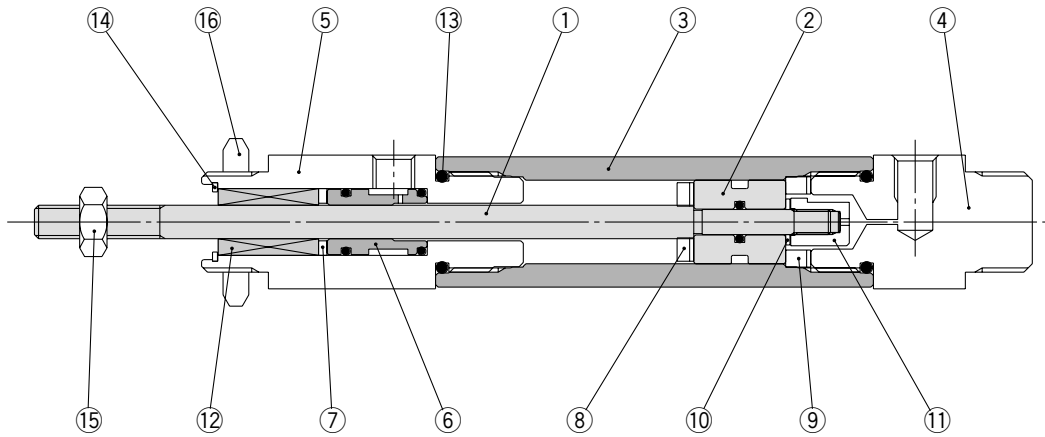
Theoretical Output



Unit: N

Bore size (mm)	Rod size (mm)	Direction	Piston area (mm ²)	Operating pressure (MPa)						
				0.1	0.2	0.3	0.4	0.5	0.6	0.7
6	4	IN	15.7	1.6	3.2	4.7	6.3	7.9	9.4	11.0
		OUT	28.3	2.8	5.7	8.5	11.3	14.2	17.0	19.8
10	4	IN	66.0	6.6	13.2	19.8	26.4	33.0	39.6	46.2
		OUT	78.5	7.9	15.7	23.6	31.4	39.3	47.1	55.0
16	5	IN	181.4	18.1	36.3	54.4	72.6	90.7	108.8	127.0
		OUT	201.1	20.1	40.2	60.3	80.4	100.6	120.7	140.8
20	8	IN	263.9	26.4	52.8	79.2	105.6	132.0	158.3	184.7
		OUT	314.2	31.4	62.8	94.3	125.7	157.1	188.5	219.9
25	10	IN	412.3	41.2	82.5	123.7	164.9	206.2	247.4	288.6
		OUT	490.9	49.1	98.2	147.3	196.4	245.5	294.5	343.6

Construction



Component Parts

No.	Description	Material	Note
1	Rod	Carbon steel	Hard chrome plated
2	Piston	Special stainless steel	
3	Tube	Special stainless steel	
4	Head cover	Aluminum alloy	Hard anodized
5	Rod cover	Aluminum alloy	Hard anodized
6	Sleeve	Special stainless steel	
7	Seat	NBR	
8	Bumper A	Polyurethane	
9	Bumper B	Polyurethane	
10	Bumper C	Polyurethane	
11	Nut	Aluminum alloy	
12	Ball bushing		
13	O-ring	NBR	
14	Retaining ring	Carbon tool steel	Nickel plated
15	Rod end nut	Steel	Nickel plated
16	Mounting nut	Steel	

REA

REB

REC

C□Y

C□X

MQ

RHC

RZQ

D-□

-X□

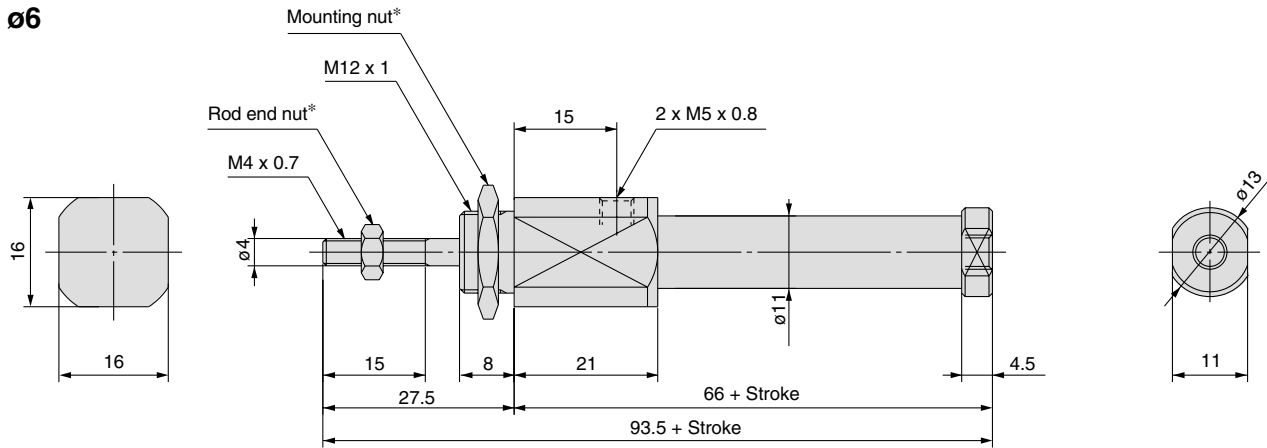
Individual
-X□

Series MQM

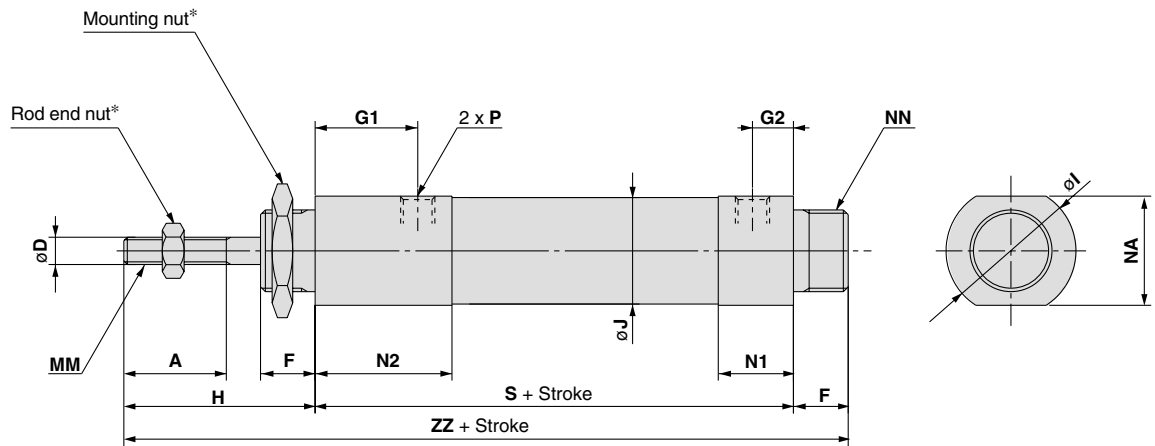
Dimensions

Basic type: MQMLB

ø6



ø10, ø16, ø20, ø25



Bore size (mm)	A	D	F	G1	G2	H	I	J	MM	N1	N2	NA	NN	P			S	ZZ
														—	TN	TF		
10	15	4	8	15	6	28	18.5	16	M4 x 0.7	11	20	16	M12 x 1	M5 x 0.8	—	—	65	101
16	15	5	10	15	6	30	22	22	M5 x 0.8	12	21	19.5	M14 x 1	M5 x 0.8	—	—	74	114
20	18	8	13	25	8.5	40.5	31.5	28.5	M8 x 1.25	20.5	33	29	M20 x 1.5	Rc 1/8	NPT 1/8	G 1/8	97.5	151
25	18	10	13	30	8.5	44.5	34.5	32	M10 x 1.25	20.5	38	32	M26 x 1.5	Rc 1/8	NPT 1/8	G 1/8	102.5	160

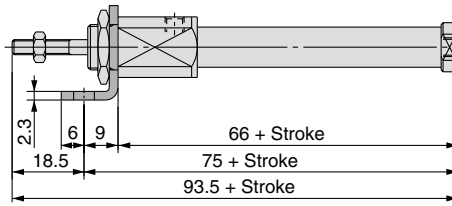
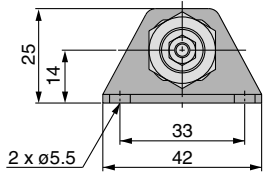
* Refer to page 1188 for details regarding the rod end nut and the mounting nut.

Refer to the basic type on page 1184 for other dimensions.

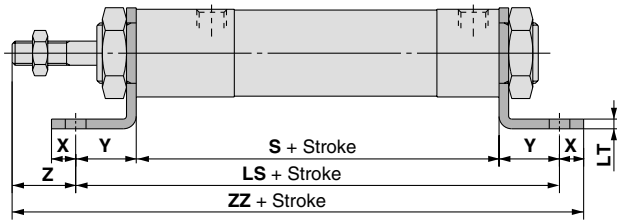
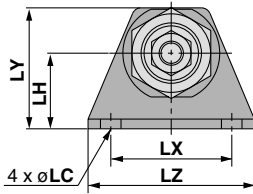
Dimensions

Foot type: MQMLL

ø6



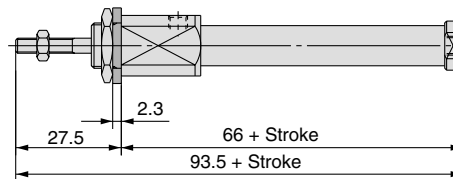
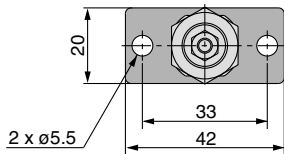
ø10, ø16, ø20, ø25



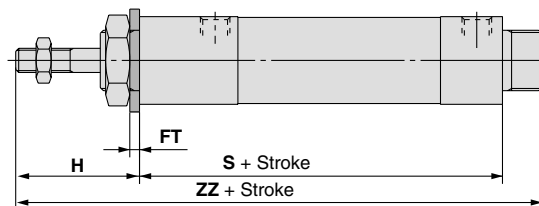
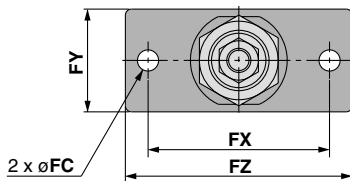
Bore size (mm)	LC	LH	LS	LT	LX	LY	LZ	S	X	Y	Z	ZZ
10	5.5	14	83	2.3	33	25	42	65	6	9	19	108
16	5.5	18	92	2.3	42	30	54	74	6	9	21	119
20	6.8	25	137.5	3.2	40	40	55	97.5	8	20	20.5	166
25	6.8	28	142.5	3.2	40	47	55	102.5	8	20	24.5	175

Rod side flange type: MQMLF

ø6



ø10, ø16, ø20, ø25



Bore size (mm)	FC	FT	FX	FY	FZ	H	S	ZZ
10	5.5	2.3	33	20	42	28	65	101
16	5.5	2.3	42	24	54	30	74	114
20	7	4	60	34	75	40.5	97.5	151
25	7	4	60	40	75	44.5	102.5	160

REA

REB

REC

C□Y

C□X

MQ

RHC

RZQ

D-□

-X□

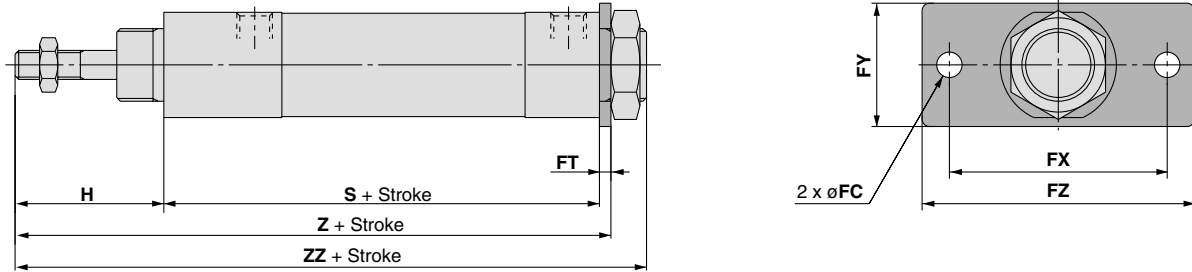
Individual
-X□

Series MQM

Refer to the basic type on page 1184 for other dimensions.

Dimensions

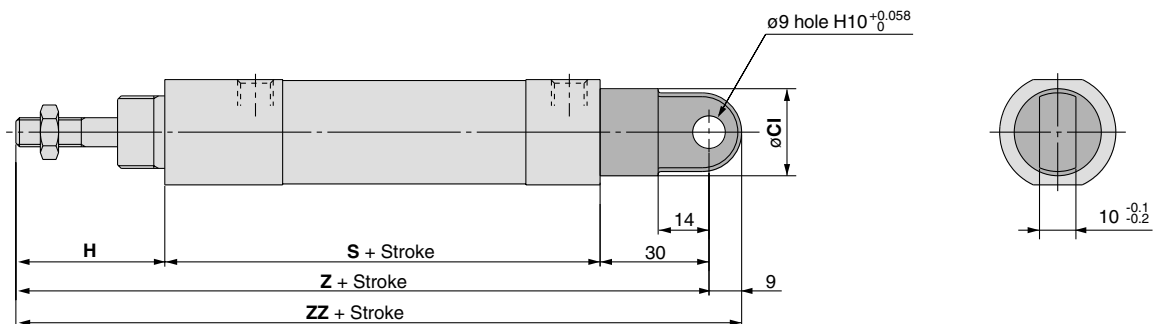
Head side flange type: MQMLG (Except for $\varnothing 6$)
 $\varnothing 10$, $\varnothing 16$, $\varnothing 20$, $\varnothing 25$



(mm)

Bore size (mm)	FC	FT	FX	FY	FZ	H	S	Z	ZZ
10	5.5	2.3	33	20	42	28	65	95.3	101
16	5.5	2.3	42	24	54	30	74	106.3	114
20	7	4	60	34	75	40.5	97.5	142	151
25	7	4	60	40	75	44.5	102.5	151	160

Single clevis type: MQMLC ($\varnothing 20$ and $\varnothing 25$ only)
 $\varnothing 20$, $\varnothing 25$ (Non-integrated type)



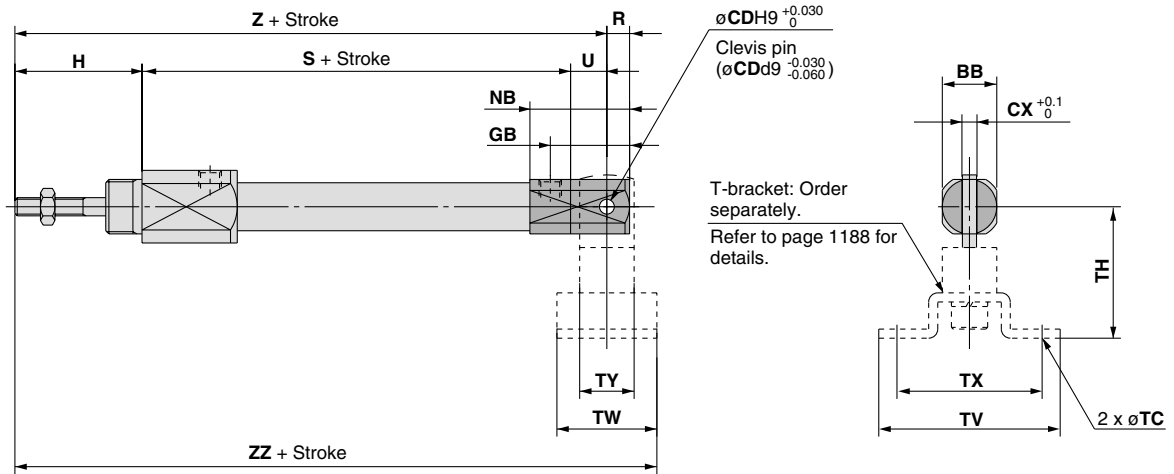
(mm)

Bore size (mm)	CI	H	S	Z	ZZ
20	24	40.5	97.5	168	177
25	30	44.5	102.5	177	186

Refer to the basic type on page 1184 for other dimensions.

Dimensions

**Double clevis type: MQMLD
ø6, ø10, ø16 (Integrated type)**



(mm)

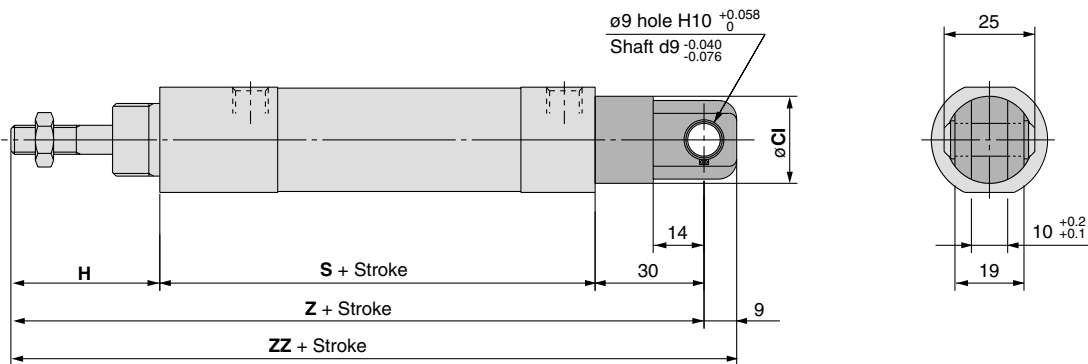
Bore size (mm)	BB	CD	CX	GB	H	NB	R	S	U	Z	ZZ
6	12	3.3	3.3	17.5	27.5	22	5	70.5	8	106	117
10	12	3.3	3.3	19	28	24	5	65	8	101	112
16	18	5	6.6	24	30	30	8	74	10	114	128

T-bracket Related Dimensions (Note)

Part no.	Applicable bore size (mm)	TC	TH	TV	TW	TX	TY
CJ-T010B	6, 10	4.5	29	40	22	32	12
CJ-T016B	16	5.5	35	48	28	38	16

Note) Refer to page 1188 for details.

ø20, ø25 (Non-integrated type)



(mm)

Bore size (mm)	CI	H	S	Z	ZZ
20	24	40.5	97.5	168	177
25	30	44.5	102.5	177	186

REA

REB

REC

C□Y

C□X

MQ

RHC

RZQ

D-□

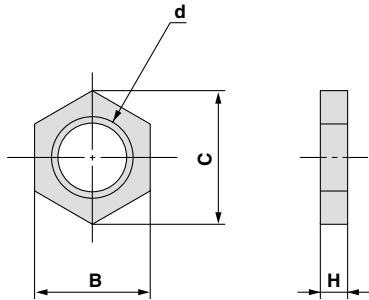
-X□

Individual
-X□

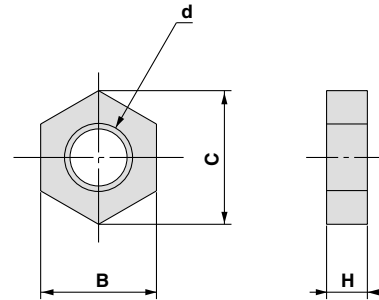
Series MQM

Accessory Dimensions

Mounting nut



Rod end nut



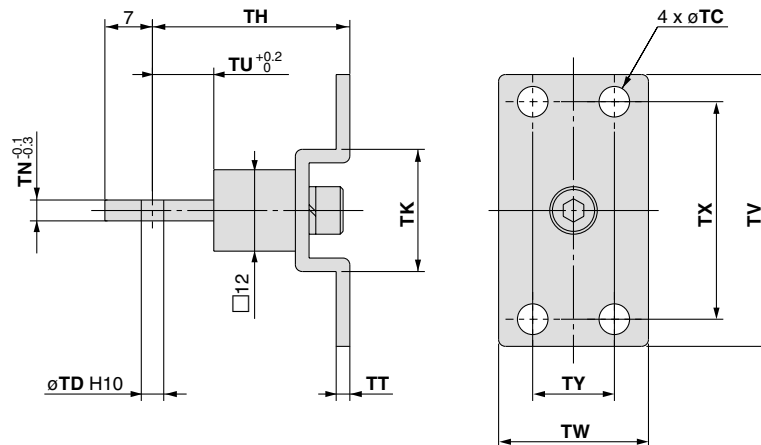
Material: Carbon steel

Part no.	Applicable bore size (mm)	B	C	d	H
SNKJ-016B	6, 10	17	19.6	M12 x 1	4
SNLJ-016B	16	19	21.9	M14 x 1	5
SN-020B	20	26	30	M20 x 1.5	8
SN-032B	25	32	37	M26 x 1.5	8

Material: Carbon steel

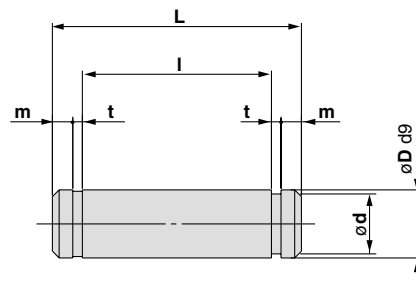
Part no.	Applicable bore size (mm)	B	C	D	H
NTJ-010A	6, 10	7	8.1	M4 x 0.7	3.2
NTJ-015A	16	8	9.2	M5 x 0.8	4
NT-02	20	13	15	M8 x 1.25	5
NT-03	25	17	19.6	M10 x 1.25	6

T-bracket



Part no.	Applicable bore size (mm)	TC	TD	TH	TK	TN	TT	TU	TV	TW	TX	TY
CJ-T010B	6, 10	4.5	3.3	29	18	3.1	2	9	40	22	32	12
CJ-T016B	16	5.5	5	35	20	6.4	2.3	14	48	28	38	16

Clevis pin



Material: Stainless steel

Part no.	Applicable bore size (mm)	d	D	l	L	m	t
CD-J010	6, 10	3	3.3	12.2	15.2	1.2	0.3
CD-Z015	16	4.8	5	18.3	22.7	1.5	0.7
CDP-1	20,25	8.6	9	19.2	25	1.75	1.15



Series *MQQ/MQM* Specific Product Precautions 1

Be sure to read before handling.

Refer to front matters 42 and 43 for Safety Instructions and pages 3 to 11 for Actuator and Auto Switch Precautions.

Operation

Caution

1. When mounting, thoroughly flush out the connector piping and be sure that dirt and chips, etc., do not get inside the cylinder.
2. Install an air filter with a filtration degree of 5 μm or less on the air supply. Furthermore, when controlling for low speed or controlled output, use clean air (atmospheric pressure dew point temperature of -10°C). Installation of a mist separator (filtration degree 0.3 μm or less) is also recommended.
3. Use a metal seal type when using solenoid valves for cylinder actuation. If a rubber seal type is used, there may be an increase in operating resistance due to grease sprayed from the main valve.
4. Operate so that the load applied to the piston rod is normally in the axial direction.
In the event that a lateral load is unavoidable, do not exceed the range of the allowable lateral load at the rod end (refer to pages 1190 and 1191). (Use outside of the operating limits may cause an adverse effect on the life of the unit through problems such as looseness in the guide unit and a loss of precision.)
5. Take care not to scratch or gouge the sliding portion of the rod. This may cause malfunction or shorten the unit's life.
6. When attaching a work piece to the end of the rod, move the rod to the fully retracted position and use the wrench flats at the end of the rod. Fasten the work piece without applying a large amount of torque to the rod.
7. Be certain to connect a load so that the rod axis is aligned with the load and its direction of movement.
Especially when a cylinder rod is connected directly to a guide function (such as bearings, etc.) on the equipment side, the following is likely to occur. Either an offset load will occur and the sliding resistance will not be stable or galling will occur on the metal seal parts. Therefore, be sure to use a floating joint or a spherical joint.
8. When a piston rod is driven with a circuit from an external force such as force, control, tension control, etc., a stick-slip phenomenon will likely occur and sliding resistance will not be stable if the amount of displacement is 0.05 mm or less.
9. When it is used in locations where a constant vibration is applied, such as a polishing machine, etc., consult with us.

Disassembly

Caution

1. The component parts of the metal seal cylinder are manufactured to precision tolerances, and therefore cannot be disassembled.

Lubrication

Caution

1. Lubrication of non-lube type cylinder

Do not apply lubrication when controlling for low speed or controlled output. If lubrication is applied, there may be changes in operating resistance due to factors such as the viscosity and surface tension of the oil. Also, use a metal seal type when using solenoid valves for cylinder actuation. If a rubber seal type is used, there may be an increase in operating resistance due to grease sprayed from the main valve.

Lubrication is also unnecessary for high speed actuation, but in the event that lubrication is applied, use turbine oil class 1 (with no additives) ISO VG32. (Do not use spindle oil or machine oil.)

REA

REB

REC

C□Y

C□X

MQ

RHC

RZQ

D-□

-X□

Individual
-X□



Series MQQ/MQM Specific Product Precautions 2

Be sure to read before handling.

Refer to front matters 42 and 43 for Safety Instructions and pages 3 to 11 for Actuator and Auto Switch Precautions.

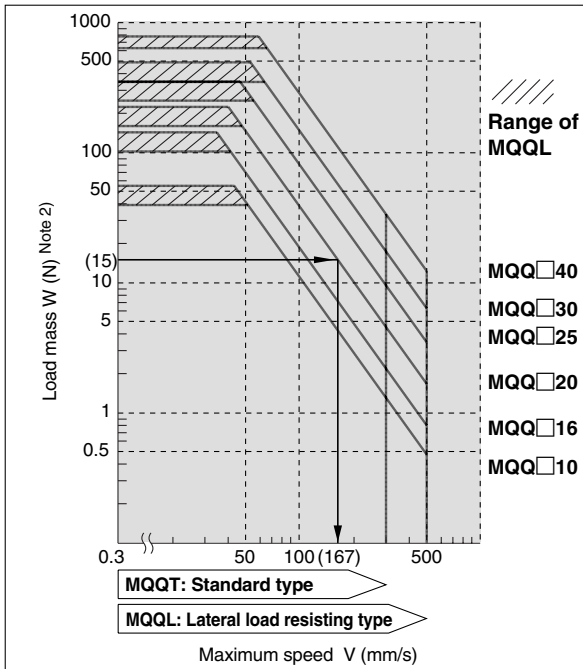
Selection

Series MQQ



Operating Speed

Load Weight and Maximum Speed: MQQT/MQQL



Example)
Driving a load of 15(N) using the MQQT20 with a maximum speed of 167 (mm/sec)

Lateral load resisting type: MQQ□

Bore size (mm)	Allowable kinetic energy (J)
10	0.006
16	0.010
20	0.022
25	0.044
30	0.080
40	0.160

Note 1) When a load is attached to the rod end, adjust the speed so that the maximum speed is no more than that shown in the graph for the corresponding load mass.

Note 2) The mass of cylinder's moving parts is included in the load mass. (See the graph on the right.)

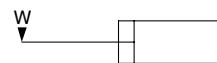
Moving Parts Mass

MQQ□□ Moving Parts Mass

Bore size (mm)	MQQT□: Moving parts mass (g)	MQQL□: Moving parts mass (g)
10	Mass = 8.9 + {3.1 x (stroke/10)}	Mass = 16.7 + {3.1 x (stroke/10)}
16	Mass = 22.9 + {4.0 x (stroke/10)}	Mass = 34.9 + {4.0 x (stroke/10)}
20	Mass = 34.8 + {6.6 x (stroke/10)}	Mass = 57.9 + {6.6 x (stroke/10)}
25	Mass = 66.9 + {8.8 x (stroke/10)}	Mass = 97.7 + {8.8 x (stroke/10)}
30	Mass = 115.0 + {15.8 x (stroke/10)}	Mass = 190.2 + {15.8 x (stroke/10)}
40	Mass = 182.2 + {15.8 x (stroke/10)}	Mass = 257.4 + {15.8 x (stroke/10)}

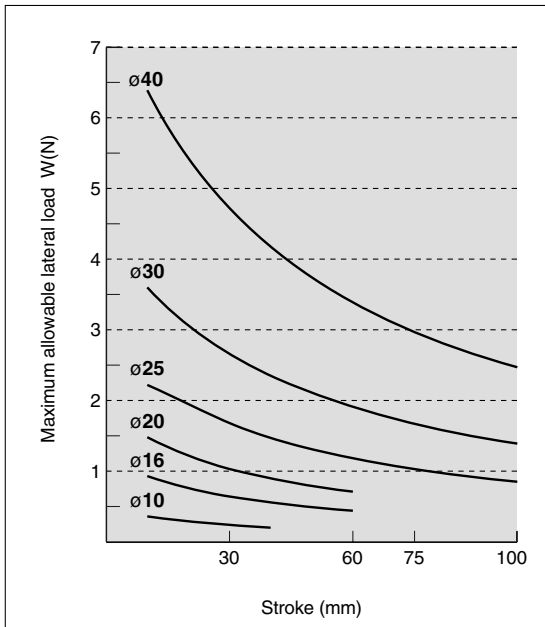
Note) For the rod side flange type, add 10 mm to the stroke length of the MQQ□F

Allowable Lateral Load at Rod End

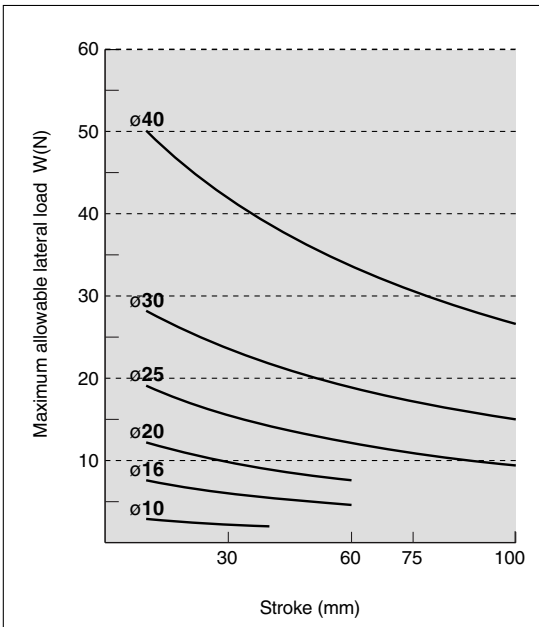


(Mounting orientation: Horizontal)
supply pressure: 0.5 MPa
1 N = 0.102 kgf

Standard Type: MQQT□



Lateral Load Resisting Type: MQQLB/Built-in Ball Bushing



Note 1) The indicated allowable lateral load at the rod end is for the rod end female thread.

Note 2) The allowable lateral load varies depending on the size of a load (the distance to the load's center of gravity). Please contact SMC for further details.



Series MQQ/MQM Specific Product Precautions 3

Be sure to read before handling.

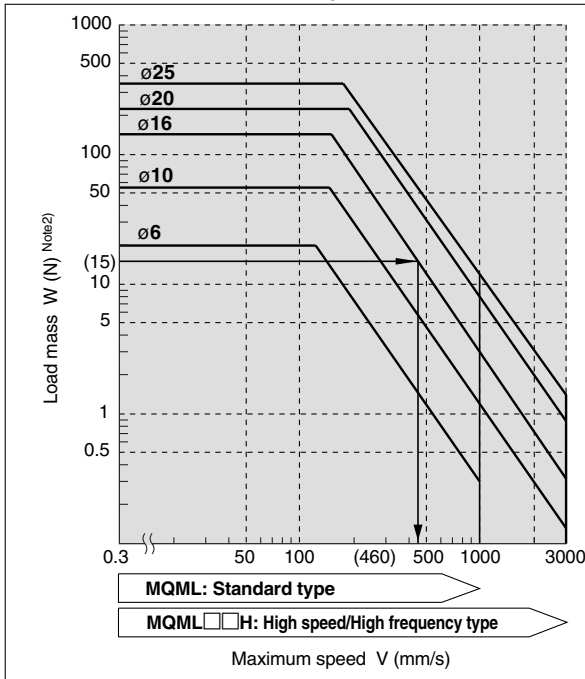
Refer to front matters 42 and 43 for Safety Instructions and pages 3 to 11 for Actuator and Auto Switch Precautions.

Selection

Series MQM

Caution Operating Speed

Load Mass and Maximum Speed: MQML/MQML□□H



Example)
Driving a load of 15(N) using the **MQM16** with a maximum speed of 460 (mm/sec)

Lateral load resisting type: MQML/MQML□□H

Bore size (mm)	Allowable kinetic energy (J)
6	0.015
10	0.059
16	0.161
20	0.386
25	0.597

Note 1) When a load is attached to the rod end, adjust the speed so that the maximum speed is no more than that shown in the graph for the corresponding load mass.

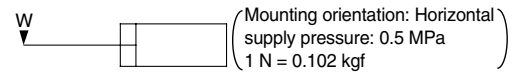
Note 2) The mass of cylinder's moving parts is included in the load mass. (See the graph on the right.)

Moving Parts Mass

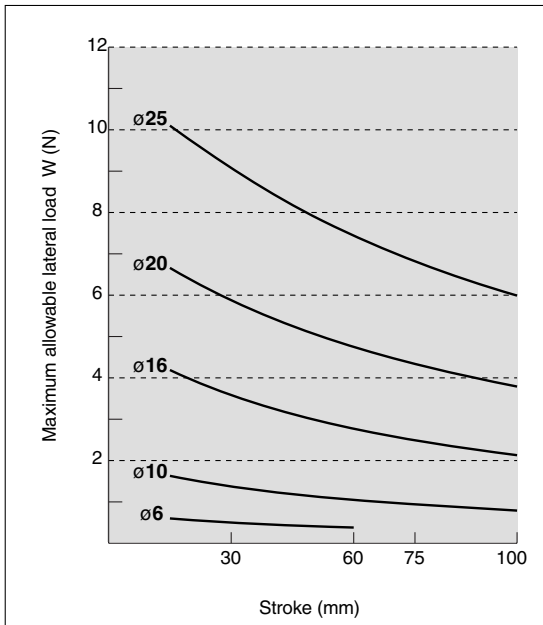
MQM Moving Parts Mass

Bore size (mm)	Moving parts mass (g)
6	Mass = 8.2 + {1.6 x (stroke/15)}
10	Mass = 12.0 + {1.6 x (stroke/15)}
16	Mass = 28.6 + {2.2 x (stroke/15)}
20	Mass = 72.0 + {6.4 x (stroke/15)}
25	Mass = 117.6 + {9.2 x (stroke/15)}

Allowable Lateral Load at Rod End



Allowable Lateral Load at Rod End



Note 1) The allowable lateral load varies depending on the size of a load (the distance to the load's center of gravity). Please contact SMC for further details.

REA

REB

REC

C□Y

C□X

MQ

RHC

RZQ

D-□

-X□

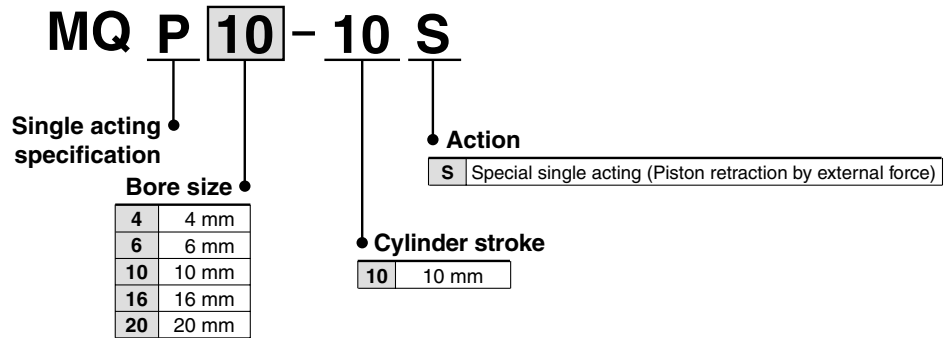
Individual
-X□

Low Friction Cylinder (Single Acting)

Series MQP

ø4, ø6, ø10, ø16, ø20

How to Order



* The MQP series is not auto switch capable.

Specifications



Bore size (mm)		4	6	10	16	20
Seal construction		Metal seal				
Action		Special single acting (Piston retraction by external force)				
Proof pressure		1.05 MPa				
Maximum operating pressure		0.7 MPa				
Minimum operating pressure <small>Note 1)</small>		0.001 MPa				
Ambient and fluid temperature		+5 to +80°C				
Lubrication <small>Note 2)</small>		Not required (Non-lube)				
Stroke length tolerance		+1.0 0				
Total allowable leakage	Supply pressure 0.1 MPa	100 cm ³ /min or less				
	Supply pressure 0.3 MPa	500 cm ³ /min or less				
	Supply pressure 0.5 MPa	1000 cm ³ /min or less				

Note 1) Excluding the mass of moving parts.

Note 2) Refer to precautions on page 1194 regarding lubrication.

Moving Parts and Total Mass

Unit: g

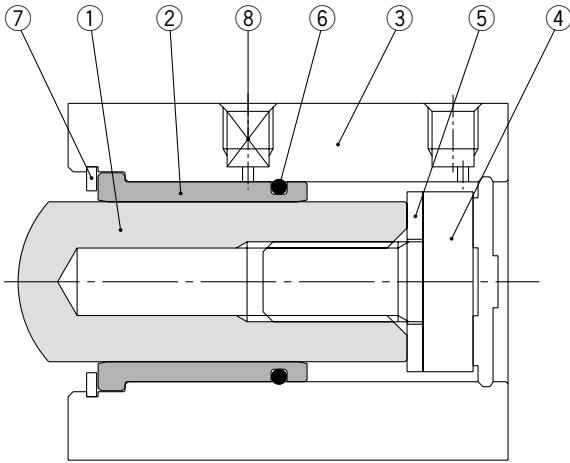
Bore size (mm)	Moving parts mass	Total mass
4	4	43
6	8	55
10	24	96
16	62	161
20	103	239

Theoretical Output

Unit: N

Bore size (mm)	Piston area (mm ²)	Operating pressure (MPa)							
		0.1	0.2	0.3	0.4	0.5	0.6	0.7	
4	12.6	1.3	2.6	3.9	5.2	6.5	7.8	9.1	
6	28.3	2.8	5.6	8.4	11.2	14.0	16.8	19.6	
10	78.5	7.9	15.7	23.6	31.4	39.3	47.1	55.0	
16	196.1	19.6	39.2	58.9	78.4	98.1	117.7	137.3	
20	314.2	31.4	62.8	94.3	125.7	157.1	188.5	219.9	

Construction

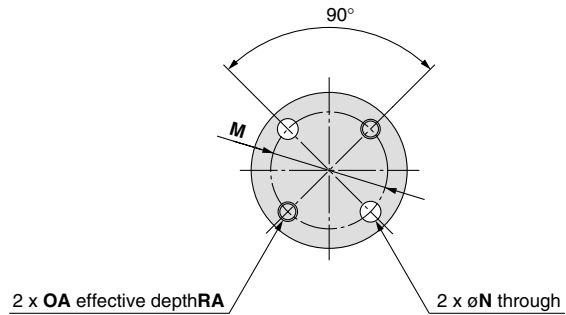
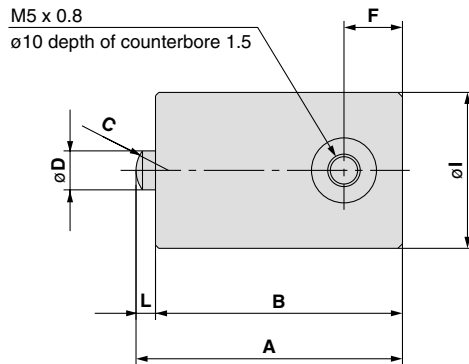


Component Parts

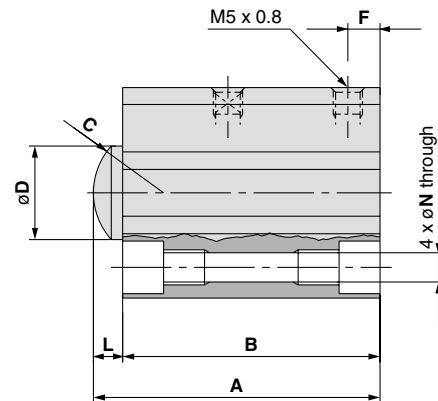
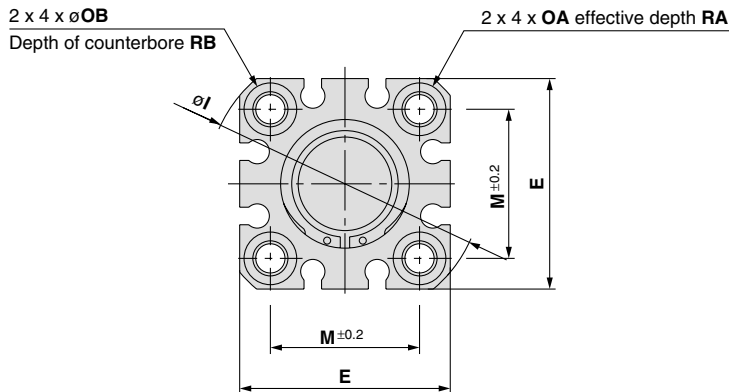
No.	Description	Material	Note
1	Piston rod	Special stainless steel	
2	Liner	Special stainless steel	
3	Cylinder tube	Aluminum alloy	Hard anodized
4	Bolt	Carbon tool steel	
5	Bumper	Polycarbonate	
6	O-ring	NBR	
7	Retaining ring	Carbon tool steel	Nickel plated
8	Plug	Carbon tool steel	Nickel plated

Dimensions

ø4, ø6



ø10, ø16, ø20



(mm)

Bore size (mm)	A	B	C	D ^{Note)}	E	F	I	L	M	N	OA	OB	RA	RB
4	41	38	SR3	4	—	9	22	3	16	3.2	M3 x 0.5	—	6	—
6	41	38	SR5	6	—	9	24	3	18	3.2	M3 x 0.5	—	6	—
10	46.5	41.5	SR8	10	29	5.5	38	5	20	3.5	M4 x 0.7	6.5	7	4
16	49	44	SR12	16	36	5.5	47	5	25.5	5.4	M6 x 1.0	9	10	7
20	52.5	47.5	SR15	20(19)	40	5.5	52	5	28	5.4	M6 x 1.0	9	10	7

Note) (): Rod end dimensions

REA

REB

REC

C□Y

C□X

MQ

RHC

RZQ

D-□

-X□

Individual

-X□



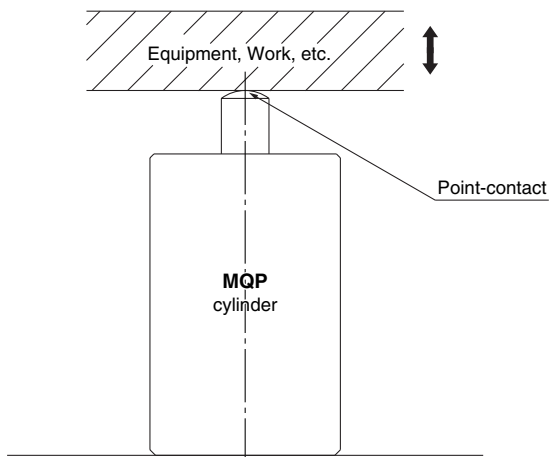
Series MQP Specific Product Precautions

Be sure to read before handling.

Refer to front matters 42 and 43 for Safety Instructions and pages 3 to 11 for Actuator and Auto Switch Precautions.

Operation

1. When mounting, thoroughly flush out the connector piping and be sure that dirt and chips, etc., do not get inside the cylinder.
2. Install an air filter with a nominal filtration degree of 5 μm or less on the air supply. Furthermore, when controlling for low speed or controlled output, use clean air (atmospheric pressure dew point temperature of -10°C or less). Installation of a mist separator (nominal filtration degree 0.3 μm or less) is also recommended.
3. Use a metal seal type when using solenoid valves for cylinder actuation. If a rubber seal type is used, there may be an increase in operating resistance due to grease sprayed from the main valve.
4. This cylinder cannot be used at the end of its stroke. Use it with an intermediate stroke of 10 mm.
5. The rod end should not come in direct contact with an equipment or workpiece. Also, make sure that the opposite side of the rod end is flat to make point-contact with the spherical surface of the rod end.



The material of the cylinder rod is heat-treated stainless steel (HRC60). The roughness of the spherical contact of the attaching part (Equipment, Work, etc) should be Rz6.3 and the material should be HB100 or greater (Aluminum material: 2000 line or 7000 line or equivalent) When higher precision or longer service life is required, we recommend using a heat-treated material + flat polished machined material (Rz0.8)

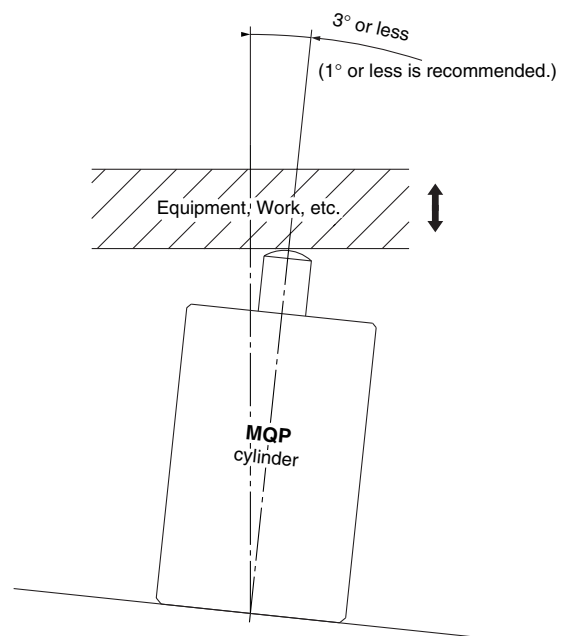
Also, although applying grease on the spherical contact parts will make the operation more smooth and reduce the abrasion, use caution to prevent any grease from being applied to the cylinder's sliding surface.

Operation

6. When connecting, be sure to align the rod axis with the load and the direction of movement.

The allowable angle of the cylinder's mounting surface in an equipment should be 3° or less.

(1° or less is recommended.) When not properly aligned, a lateral load will likely be applied to the rod and the spherical surface will likely skid. This will result in a reduction or dispersion of thrust and likely a malfunction.



Disassembly

1. The component parts of the metal seal cylinder are manufactured to precision tolerances, and therefore cannot be disassembled.

Lubrication

1. Lubrication of non-lube type cylinder

Do not apply lubrication when controlling for low speed or controlled output. If lubrication is applied, there may be changes in operating resistance due to factors such as the viscosity and surface tension of the oil. Also, use a metal seal type when using solenoid valves for cylinder actuation. If a rubber seal type is used, there may be an increase in operating resistance due to grease sprayed from the main valve.

Lubrication is also unnecessary for high speed actuation, but in the event that lubrication is applied, use turbine oil class 1 (with no additives) ISO VG32. (Do not use spindle oil or machine oil.)