

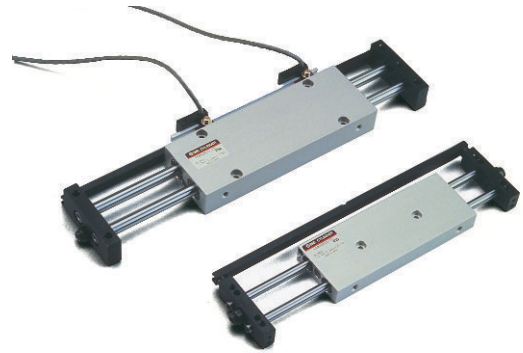
SLIDE UNIT SERIES NCX2

- ✓ Bore sizes 10,15,25mm
- ✓ Slide bearing construction
- ✓ High accuracy positioning
- ✓ Magnetic sensing standard
- ✓ Mounting hole for shock absorber
- ✓ End plate housing mounting option

TECHNICAL SPECIFICATIONS

Type	Non-Lube Type / Air-Hydro Type	
Fluid	Air / LP Oil	
Proof Pressure	1.5MPa / 220 PSI	
Max Operating Pressure	1MPa / 150 PSI	
Min Operating Pressure	NCX2N10	0.15MPa / 22 PSI
	NCX2N15	0.15MPa / 22 PSI
	NCX2N25	0.1MPa / 15 PSI
Ambient and Operating Fluid Temp	5 ~ 60°C / 40 ~ 140°F	
Piston Speed (Non-Lube Type)	See List Below	
Cushion	With Shock Absorber (Option)	
Stroke Adjustment Range	2~25.4mm / +0.08 ~ -1 inch	
Note 1) Max Movable Load	NCX2N10	1Kg / 2.2 lb
	NCX2N15	3Kg / 6.6 lb
	NCX2N25	6Kg / 13.2 lb
Non Rotating Accuracy (Except for bending of Piston Rod)	NCX2N10	±0.1°
	NCX2N15	±0.04°
	NCX2N25	±0.02°

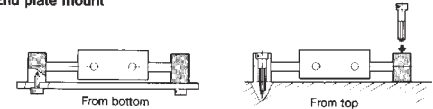
Note 1) please position the center of gravity of the load and the slide unit as close as possible. If this is not possible, please contact a SMC Representative.



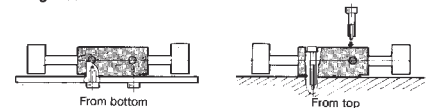
SELECTOR

Either the housing or the plate can be fixed depending upon the application.
Note: on the B type mounting (see "How to Order"), the air supply is connected to the housing which is static. On the P type mounting, the air supply is connected to either end plate with the opposite end plugged.

End plate mount



Housing mount

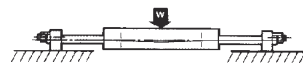


PISTON ROD AIR HYDRO TYPE

Model	End Plate Mounted	Housing Mounted
NCX2H15	*	0.2 ~ 2in/sec
NCX2H25	0.2 ~ 1.6in/sec	0.2 ~ 4in/sec

PISTON ROD DEFLECTION (REFERENCE FACTOR)

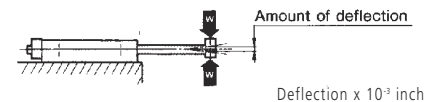
For a concentrated load at the center of the housing.



Model	Load (lb)	Stroke Inch	
		4	8
NCX2N10	2	2.8	-
NCX2N15	6	3.2	1.1
NCX2N25	13	0.8	3.2

PISTON ROD DEFLECTION (REFERENCE FACTOR)

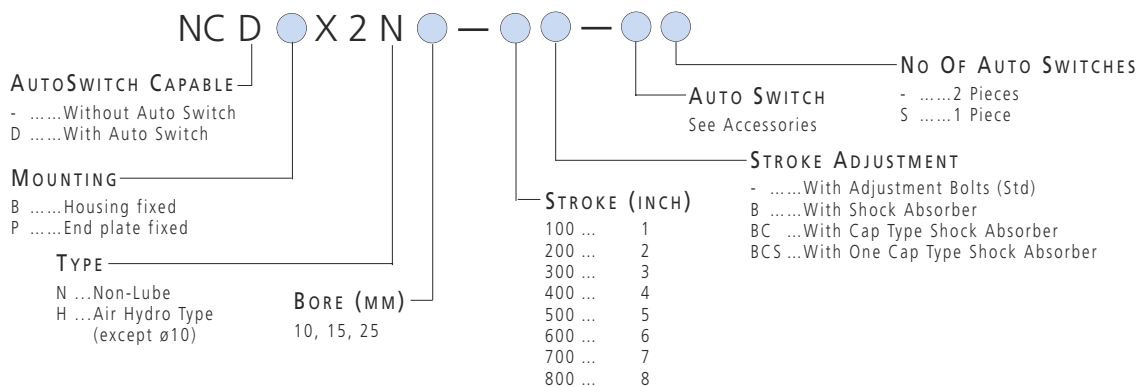
For a concentrated load at the center of the end plate.



Model	Load (lb)	Stroke (Inch)			
		2	4	6	8
NCX2N10	0.5	2.4	11.8	-	-
NCX2N15	1	3.5	8.7	14.7	39.4
NCX2N25	2	12	3.5	6.3	9.8

(Note) Values are the total amount of vertical deflection

HOW TO ORDER
NCX2 SERIES SLIDE UNIT



DIMENSIONS
SEE NEXT PAGE

ACCESSORIES AUTO SWITCHES

Note: Pre-wired Switches with 3/4 Pin Connectors available, please consult SMC Customer Service

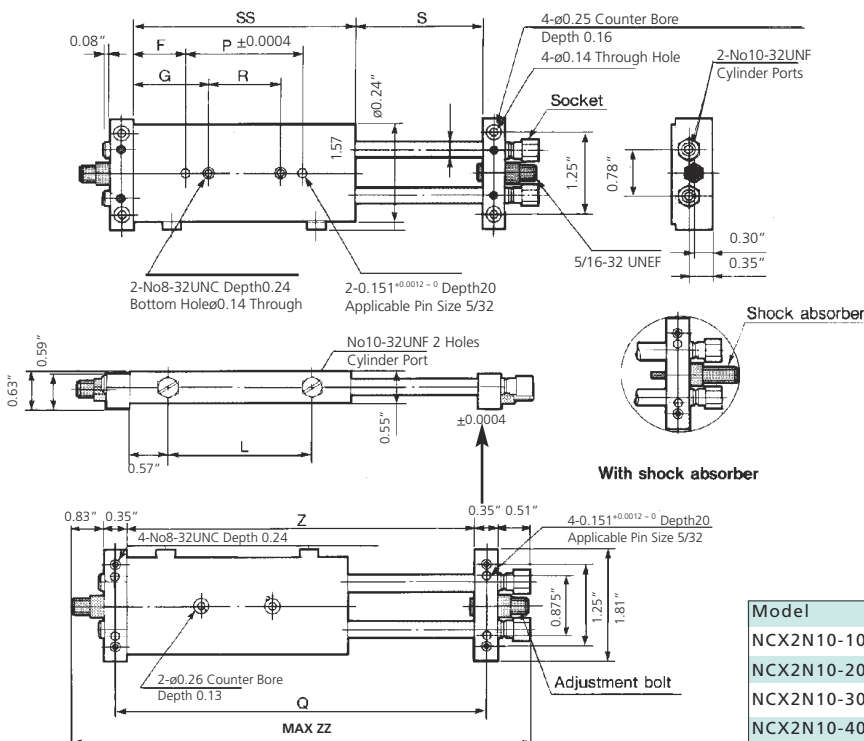
Model	Type	Operating Voltage	Maximum Current
D-A73	Reed	200VAC	5 ~ 10mA
D-A73H		24VDC	5 ~ 40mA
D-E73A		100VAC	5 ~ 20mA
D-A80	Reed	24VAC/DC or less	50mA
D-A80H		48VAC/DC or less	40mA
D-E80A		100VAC/DC or less	20mA
D-A76H	Reed	4 ~ 8 VDC	20mA
D-E76A			
D-A73C	Reed	24VDC	5 ~ 40mA
D-A80C	Reed	24VAC/DC or less	50mA
D-F79	3 Wire Solid State NPN	28VDC or less	150mA or less
D-F7P	3 Wire Solid State PNP	-	100mA or less
D-J79	2 Wire Solid State	24VDC (10~28V)	5 ~ 150mA
D-F7NV	3 Wire Solid State NPN	28CVDC or less	150mA or less
D-F7PV	3 Wire Solid State PNP	-	100mA or less
D-F7BV	2 Wire Solid State	24VDC (10 ~ 28V)	5 ~ 150mA
D-F7PW	3 Wire Solid State PNP	-	20mA or less
D-J79W	2 Wire	24VDC (10 ~ 28V)	5 ~ 40mA
D-F7BAL	2 Wire Solid State	24VDC (10 ~ 28V)	5 ~ 40mA
D-J79C	2 Wire Solid State	24VDC (10 ~ 28V)	5 ~ 150mA
D-F7LF	4 Wire Solid State NPN	26VDC or less	40mA or less
D-F7NF	4 Wire Solid State NPN	28VDC or less	40mA or less
D-F7NYTL	3 Wire Solid State NPN	28VDC or less	80mA or less

ACCESSORIES

APPLICABLE SHOCK ABSORBERS SERIES NCX2

Slide Unit	Shock Absorber/Cap Type
NCX2N10	NRB031-025/NRBC031-025
NCDBX2N10	
NCDPX2N10	
NCX2N15	NRB031-025/NRBC031-025
NCDBX2N15	
NCDPX2N15	
NCX2N25	NRB050-030/NRBC050-030
NCDBX2N25	
NCDPX2N25	

DIMENSIONS BASIC TYPE N10 SERIES NCX2



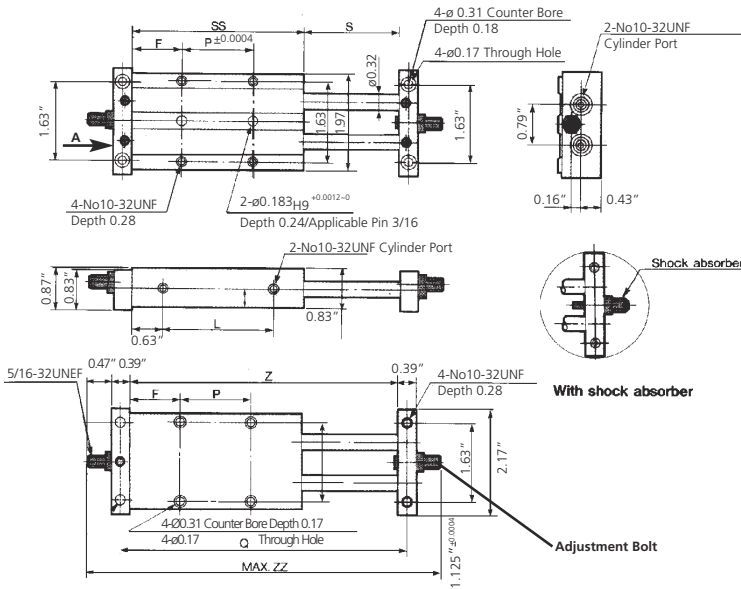
Model	F	G	L	P	Q	R	S	SS	Z	Adjust Bolt ZZ
NCX2N10-100	0.73	0.98	1.55	1.25	4.13	0.75	1.08	2.70	3.78	6.14
NCX2N10-200	1.23	1.48	2.55	1.25	6.13	0.75	2.08	3.70	5.78	8.14
NCX2N10-300	1.10	1.35	3.55	2.50	8.13	2.00	3.08	4.70	7.78	10.14
NCX2N10-400	1.60	1.85	4.55	2.50	10.13	2.00	4.08	5.70	9.78	12.14

SEE INSIDE FRONT COVER FOR
DETAILS OF YOUR LOCAL SALES OFFICE



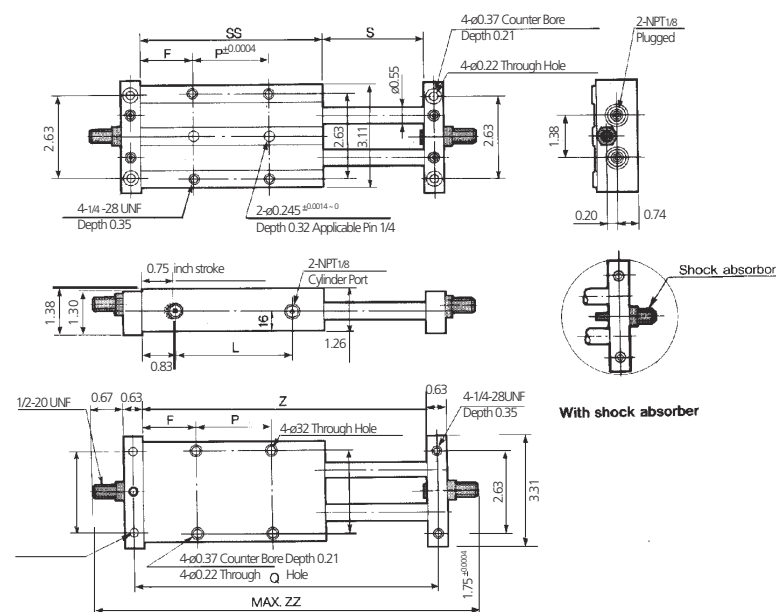
FOR FURTHER TECHNICAL
DETAILS ON THIS
PRODUCT, REQUEST
CATALOG REFERENCE
N340

DIMENSIONS
BASIC TYPE (N)15 SERIES NCX2



Model	F	L	P	Q	S	SS	Z	Adjust Bolt ZZ
NCX2_15-100	1.02	1.52	0.75	4.25	1.08	2.78	3.86	5.98
NCX2_15-200	1.14	2.52	1.50	6.25	2.08	3.78	5.86	7.98
NCX2_15-300	1.64	3.52	1.50	8.25	3.08	4.78	7.86	9.98
NCX2_15-400	1.39	4.52	3.00	10.25	4.08	5.78	9.86	11.98
NCX2_15-500	1.89	5.52	3.00	12.25	5.08	6.78	11.86	13.98
NCX2_15-600	2.39	6.52	3.00	14.25	6.08	7.78	13.86	15.98
NCX2_15-700	2.89	7.52	3.00	16.25	7.08	8.78	15.86	17.98
NCX2_15-800	3.39	8.52	3.00	18.25	8.08	9.78	17.86	19.98

DIMENSIONS
BASIC TYPE (N)25 SERIES NCX2



Model	F	L	P	Q	S	SS	Z	Adjust Bolt ZZ
NCX2_25-100	1.15	1.80	1.00	5	1.08	3.29	4.37	6.97
NCX2_25-200	1.15	2.64	2.00	7	2.08	4.29	6.37	8.97
NCX2_25-300	1.65	3.64	2.00	9	3.08	5.29	8.37	10.97
NCX2_25-400	1.65	4.64	3.00	11	4.08	6.29	10.37	12.97
NCX2_25-500	2.15	5.64	3.00	13	5.08	7.29	12.37	14.97
NCX2_25-600	2.65	6.64	3.00	15	6.08	8.29	14.37	16.97
NCX2_25-700	3.15	7.64	3.00	17	7.08	9.29	16.37	18.97
NCX2_25-800	3.65	8.64	3.00	19	8.08	10.29	18.37	20.97



FOR FURTHER TECHNICAL
DETAILS ON THIS
PRODUCT, REQUEST
CATALOG REFERENCE
N340