

Large Flow Lubricator

Series AL800/900

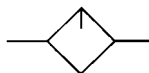
Individual lubrication Large flow type



AL800

AL900

JIS Symbol



Standard Specifications

Model	AL800	AL900
Port size	1 1/4 1 1/2	2
Fluid	Air	
Proof pressure	1.5 MPa	
Max. operating pressure	1.0 MPa	
Min. operating flow (ℓ/min (ANR)) ^{Note)}	1 1/4 : 460 1 1/2 : 650	1800
Bowl capacity (cm ³)	440	
Recommended lubricant	Turbine oil Class 1(With no additives), ISO VG32	
Ambient and fluid temperature	-5 to 60°C (No freezing)	
Bowl material	Polycarbonate	
Weight (kg)	1.62	1.67
Accessory (Standard)	Bowl guard	●

Note) • Conditions: Inlet pressure = 0.5 MPa, Number of drop = 5 drops/min, Turbine oil Class 1 (with no additives) ISO VG32, Temperature = 20°C, Needle fully open
• Use consumption air flow for operating minimum flow.

How to Order

AL 80 0 — 12 — 23 — R

• Option
R Flow direction: Right → Left

• Port size

12	1 1/4
14	1 1/2
20	2

• Thread type

Nil	Rc
N	NPT
F	G

• Option

1	1000 cm ³ tank
1S-1	1000 cm ³ tank with switch (Bottom limit ON)
1S-2	1000 cm ³ tank with switch (Bottom limit OFF)
2	Metal bowl
3	With drain cock
6	Nylon bowl (Including sight glass)
8	Metal bowl with level gauge

• When specifying more than one option, please list alphabetically.
(Example) 23-R

Option Combinations

◎Available □Not available

Accessory, Option	Symbol	Option							
		1	1S-1	1S-2	2	3	6	8	R
1000 cm ³ tank	-1								◎
1000 cm ³ (With switch) Bottom limit ON	-1S-1								◎
1000 cm ³ (With switch) Bottom limit OFF	-1S-2								◎
Metal bowl	-2					◎			◎
Lubricator with drain cock	-3				◎		◎	◎	◎
Nylon bowl	-6					◎			◎
Metal bowl with level gauge	-8					◎			◎
Flow direction: Right → Left	-R	◎	◎	◎	◎	◎	◎	◎	◎

Note) -1, -1S-1 and -1S-2 are with metal bowl with level gauge and with drain cock.

F.R.L.

AV

AU

AF

AR

IR

VEX

AMR

ITV

IC

VBA

VE□

VY1

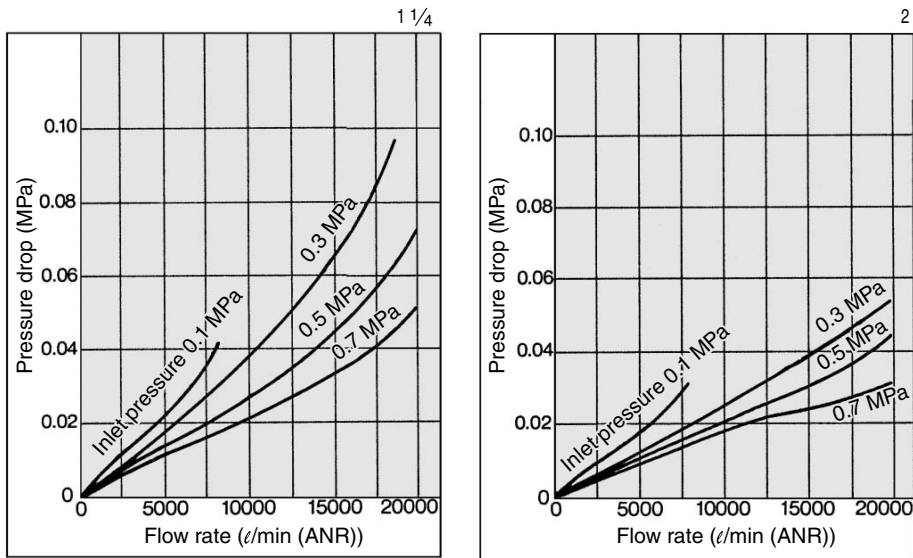
G

PPA

AL

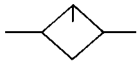
Series AL800/900

Flow Characteristics

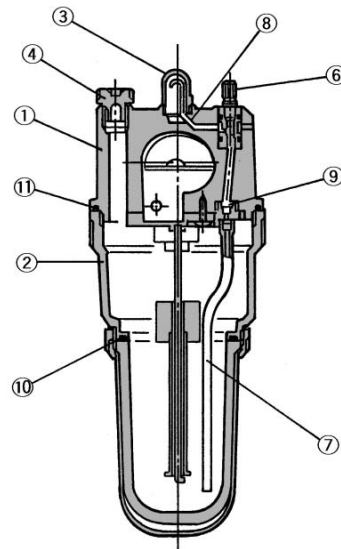
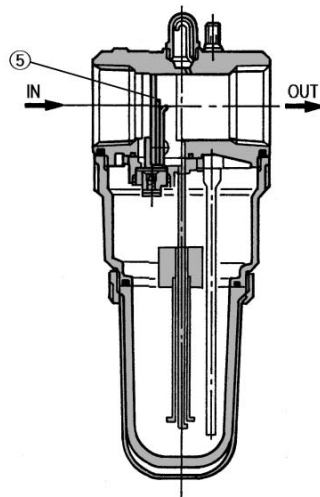


Construction

JIS Symbol



AL800/900



Component Parts

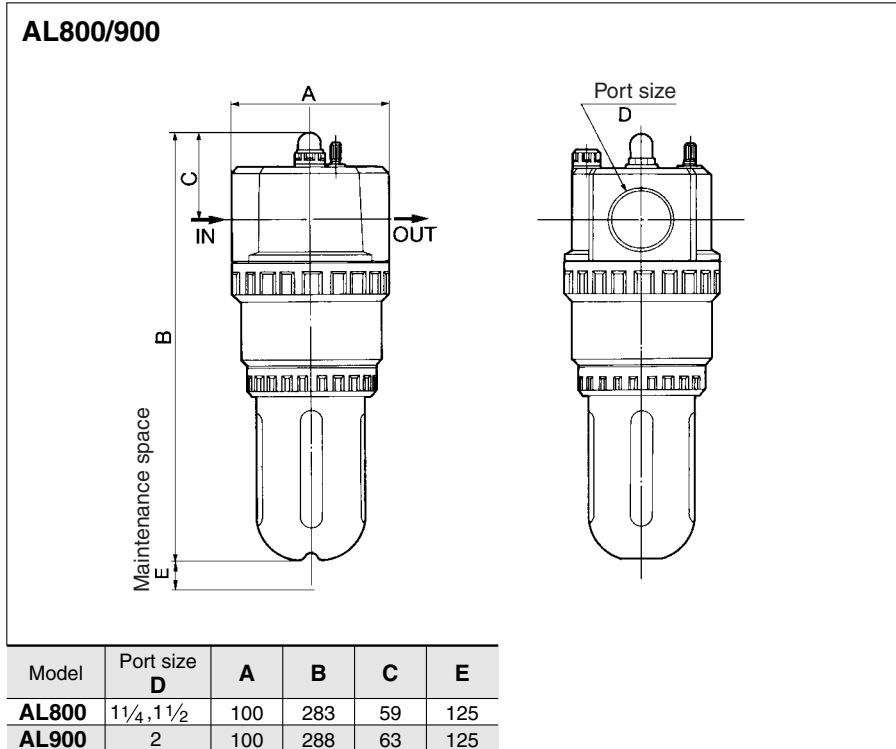
No.	Description	Material		Note
		AL800	AL900	
①	Body	Aluminum die-casted	Aluminum casted	Platinum silver painted
②	Housing	Aluminum die-casted		Platinum silver painted

Replacement Parts

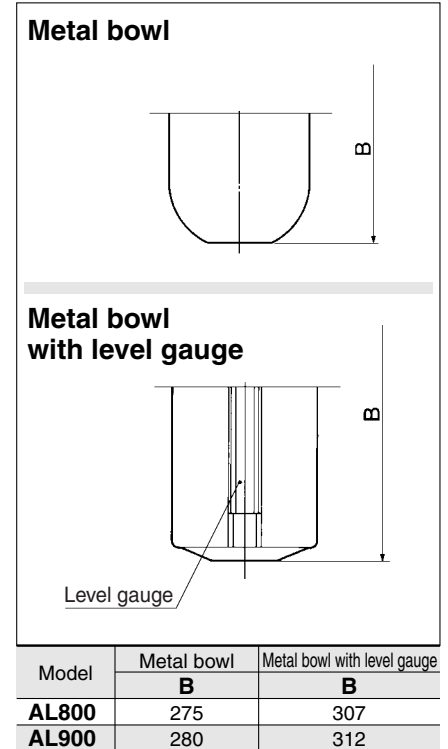
No.	Description	Material	Part no.	
			AL800	AL900
③	Sight dome	Polycarbonate	12316	12316
④	Lubrication plug assembly	—	12314PA	12314PA
⑤	Damper assembly	—	123413A-1 (1 1/4) 123413A-2 (1 1/2)	123528A
⑥	Needle stud assembly	—	123128PA	123128PA
⑦	Siphon tube assembly	—	123321A	123321A
⑧	Sight dome seal	Urethane resin	12318	12318
⑨	Siphon nut seal	Urethane resin	123111	123111
⑩	Bowl O-ring	NBR	113136	113136
⑪	Housing O-ring	NBR	JIS B 2401G90	JIS B 2401G90

Large Flow Type Lubricator Series AL800/900

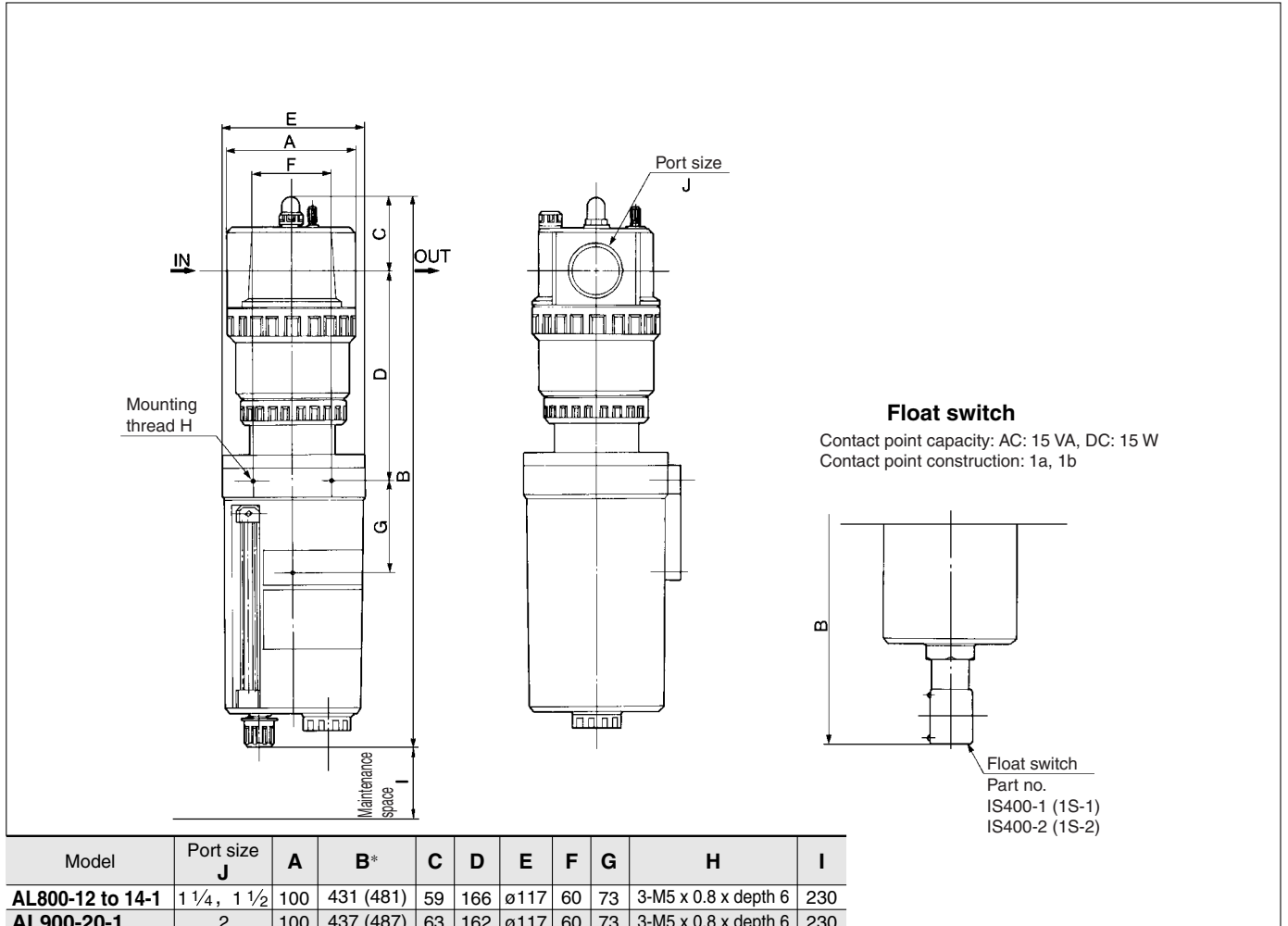
Dimensions



Option



Option Specifications/1000 cm³ Tank



* (): With float switch

F.R.L.

AV

AU

AF

AR

IR

VEX

AMR

ITV

IC

VBA

VE□

VY1

G

PPA

AL